

LOAD KING



INSTALLATION MANUAL

LOAD KING

35-127 RS

REV A

APRIL, 2022

PAGE INTENTIONALLY LEFT BLANK

LOAD KING WARRANTY

Load King (herein after referred to as the COMPANY) warrants all products manufactured by it and purchased by you to be free from defects in material and manufacture at the time of shipment, for one (1) year from date of delivery. The COMPANY will furnish replacements for such parts as the COMPANY finds to have been defective at the time of delivery or, at the COMPANY's option, will make or authorize repairs to such parts, provided that, upon request, such parts are returned, transportation is prepaid to the factory from which they were shipped.

This warranty shall not apply to any Product which has been subjected to misuse, misapplication, overloading, neglect (including but not limited to use of unauthorized parts or attachments), adjustments or repair. Engines, motor, tires, wheels, suspensions, axles, etc. and any accessories furnished with or used in the COMPANY's products, but which are not manufactured by the COMPANY, are not warranted by the COMPANY but are sold only with the express warranty, if any, or the manufacturers thereof. This warranted is limited to the first purchaser/user and is not transferable.

THE FOREGOING IS IN LIEU OF ALL OTHER WARRANTIES, WHETHER EXPRESSED OR IMPLIED (INCLUDING, WITHOUT LIMITATIONS, OF MERCHANTABILITY AND FITNESS OF ANY PRODUCT FOR A PARTICULAR PURPOSE), AND OF ANY OTHER OBLIGATION OR LIABILITY ON THE PART OF THE COMPANY. THERE ARE NO WARRANTIES WHICH EXTEND BEYOND THE DESCRIPTION OF THE FACE THEREOF.

LIMITATION OF LIABILITY

It is expressly understood and agreed by you that the COMPANY's liability for its products, whether due to breach of warranty, or otherwise is limited to the furnishing of such replacement parts, F.O.B.

factory, and the COMPANY will not be liable for any other injury, loss, damage, or expense, whether direct or consequential, including but not limited to loss of use, income, profit, or production, injury to person or increase in cost of operation, spoilage of or damage to material, arising out of or in connection with the sale, installation, use or inability to use, or the repair or replacement of the COMPANY's products.

All used vehicles and/or bodies are sold in the "AS IS" condition and no expressed or implied warranty is made.

All of COMPANY'S Products are of high quality and are manufactured in conformity with the best commercial practices in the various lines. The COMPANY guarantees all Products manufactured by it to be free from defects in material and manufactured at the time of shipment, for one (1) year from date of delivery. In addition, the COMPANY guarantees the portion of the product to be considered structural for one (1) year from date of manufacture.

While Load King, LLC. designs and manufactures its specific equipment configurations to industry standards, it is ultimate responsibility of the buyer/operator to assure that all loads are properly loaded and distributed. All loads must comply with the applicable state and federal load limits.

PAGE INTENTIONALLY LEFT BLANK

Table of Contents

Safety	7
Introduction.....	7
Warranty Registration Information	7
Specific Points Of Safety.....	8
Symbols	9
Safety Definitions Used in this Manual	9
Installation Requirements	11
Sequence of Assembly	11
Applicable Standards.....	11
Installer Responsibilities.....	12
Chassis Requirements	13
Chassis Preparation	14
PTO Selection	15
Typical State Restrictions	17
Calculating Axle Loading.....	18
Axle Loading Calculation Notes	18
Axle Loading Calculation Procedure	19
Axle Loading Calculation Worksheet.....	21
Axle Loading Calculation Example.....	22
C.G. Measurement Diagram.....	23
Component Weight Reference Table	24
Installation	25
Hydraulic Pump Installation	25
Frame Stiffener Installation.....	26
Wiring and Hose Routing	27
Crane Installation	28
RCI Bracket Assembly Installation	30
Main Outrigger Leg Installation	31
Equipment Installation.....	37
Boom Installation	39
PRE-START Inspection	43
RCI / ATB Installation.....	45
Winch Cable Installation.....	46
Front Bumper Stabilizer Installation	49
Placard Installation.....	50
Lift Capacity Chart Check	54

35-127 RS
Contents

Stability Test Preperation	55
Stability Test Criteria	57
Stability Test Procedure	58
Erecting The Jib	59
Changing the Offset of Jib.....	61
Extending and Retracting the Jib Pullout Section	63
Stowing the Jib	65
Documentation	67
Stability Test Record	67
Truck Weights and Dimensions	68
Crane Information	69
Post Installation	71
Validation of Relief Valve Pressures.....	71
Adjustment of Relief Valve Pressures	73
Reference	75
Torque Chart for Installation Hardware	75
Chassis Nomenclature	76
Crane Nomenclature	78
RCI Operation/Setup Manual	81
Prints	148

Introduction

Owners, Users, and Operators:

Load King appreciates your choice of our machine for your application. Our number one priority is user safety, which is best achieved by our joint efforts. We feel that you make a major contribution to safety if you, as the equipment users and operators:

1. **Comply** with OSHA, Federal, State, and Local Regulations.
2. **Read, Understand, and Follow** the instructions in this and other manuals supplied with this machine.
3. **Use Good, Safe Work Practices.**
4. **Only have trained operators**, directed by informed and knowledgeable supervision, running the machine.



OSHA prohibits the alteration or modification of this crane without written manufacturer's approval. Use only factory-approved parts to service or repair this unit.

If there is anything in this manual that is not clear or you believe should be added, please send your comments to Load King Cranes, 7701 Independence Ave, Kansas City, MO 64125; or contact us by telephone at Parts: (816) 241- 8387 Service: (833) 281-7911.
Email: info@loadkingmfg.com.

Warranty Registration Information

When assembly and testing is completed, and all forms in section 4 have been filled out with proper signatures and documentation, copies of these documents should be returned to your crane dealer for warranty registration.

Also necessary for warranty registration will be two photos, one of each side of the completed and tested machine, sent along with your warranty registration information.

Without these documents and complete information, your crane will not be registered and will not be eligible for warranty.

Documents required for proper registration: Stability Test Record, Truck Weights and Dimensions, Crane Information and Photographs

35-127 RS

Safety

Specific Points Of Safety

It is important that this crane be installed properly and securely, if not, it is possible that the crane could pose a danger to the operator, surrounding property and bystanders.

Correct stability verification is necessary for proper and reliable operation.

During assembly, it is important that proper and sufficient lifting equipment be used.

Complete knowledge and understanding of your local and national transportation laws is necessary to ensure that your crane is road worthy.






It is important that any welding done during this installation follow the standards listed in the manual.

Symbols

The symbols below are used to inform the operator of important information concerning the operation of this unit.

Safety Definitions Used in this Manual

The following table describes text and symbols used to highlight important information.

Signal Word	Symbol	Explanation
DANGER		Danger is used to alert readers about an immediate and serious hazard that will likely be fatal.
WARNING		Warning is used to alert readers about the potential for serious injury or death or serious damage to equipment.
CAUTION		Caution is used to alert readers about the potential for anything from moderate injury to serious equipment damage or destruction.
READ		Read is used to alert readers of information to be read on machinery.
NOTE		Note is used for a tip or suggestion to help readers carry out a procedure successfully.

PAGE INTENTIONALLY LEFT BLANK

Installation Requirements



NOTE: *This manual must be read to completion before beginning assembly of the crane.*

Sequence of Assembly

It is highly important that your crane is assembled and installed following the sequence of instructions set in this manual. This will ensure that the crane performs as intended and that it is valid for warranty registration.

Applicable Standards

Many aspects of crane operation and testing are discussed in standards published by the American National Standards Institute. These standards are updated on an annual basis with addenda, which are sent by ASME to the original purchasers of the standard. Load King recommends that you purchase and refer to the following standards:

ANSI/ASME B30.5 - Mobile & Locomotive Crane (Latest Version)

This standard can be purchased from:

American Society of Mechanical Engineers

United Engineering Center

345 East 47th Street

New York, NY 10017

Although there is minimal welding required for the assembly of this crane. The welding that is required will need to match those established welding standards that follow:

AWS D1.1 Structural Welding Code - Steel

AWS D14.3 Specification for Welding Earthmoving and Construction Equipment

These standards can be purchased from:

AWS Store

2671 West 81st Street

Miami, Florida 33016

www.awspubs.com

35-127 RS

Installation Requirements

Installer Responsibilities

The installer is the first party to operate the complete machine. Installers are responsible for validation of the machine and that it operates properly. While Load King cycles the boom and main-frame assemblies at the factory, some additional work may be required once the machine is operational.

During PTO and pump installation it is critical that the installer makes sure they have the right rotation components to match the chassis. Incorrect rotation of the pump will result in little or no oil flow and will likely cause pump failure. For detailed information on proper PTO and pump installation see Section 2-5: PTO Selection, and Section 3-1: Hydraulic Pump Installation.

Once the boom has been cycled on the machine the boom assembly will require additional adjustments which include but are not limited to:

- extend and retract cable adjustments
- pad alignment adjustments

For machines with jib options: the jib must be adjusted on a completed machine after the boom has been cycled and the machine tested to ensure that all air is removed from the boom extend cylinder. This adjustment will include the jib brackets and boom cables to get the jib to pin to the boom head and stow properly. For detailed information on jib installation, see Section 3-29: Erecting the Jib, and Section 3-32: Stowing the Jib.

Relief valve pressures have been factory preset. The installer should do quick pressure checks on the machine. Section 5 has good information on pressures, both validation and adjustment.

If you have any questions with installation or need help please contact Load King at:
1-877-621-0943.

Chassis Requirements



Failure to meet any of the following chassis requirements will void Load King warranty.

If there are any terms you are unfamiliar with in this manual, please refer to the chassis and crane nomenclature glossaries at the end of this installation manual.

	35-127 RS (MIN. VALUES)
Wheel Base (WB)*	261 inches (6630 mm)
Cab After (CA)	192 inches (4875 mm)
After Frame (AF)	114 in (2895 mm)
Cab Height	
RBM 180° Config**	3,300,000 lb-in (373,000 Nm)
RBM 360° Config**	3,300,000 lb-in (373,000 Nm)
Bare Chassis Weights	
Front	8000 lbs (3630 kg)
Rear	8000 lbs (3630 kg)
Suspension Capacities	
Front	20,000 lbs (9075 kg)
Rear	34,000 lbs (15,425 kg)
Horsepower Requirements	210 ft-lbs (285 Nm) or 40 hp (30 kw) per 1000 rpm of PTO shaft speed

* Although CA is the determining factor as to whether or not the crane will fit on the chassis, a change in wheelbase will affect the overall package in two ways:

- 1) Variations in the wheelbase of the truck will change the position of the center of gravity and thus the final stability of the machine, as well as axle loading.
- 2) The GVWR of the truck may be affected, according to the federal bridge law.

** A 360° configuration requires that the entire truck frame from front bumper to rear outrigger have this RBM, a 180° configuration requires this RBM between the main and auxiliary outriggers.

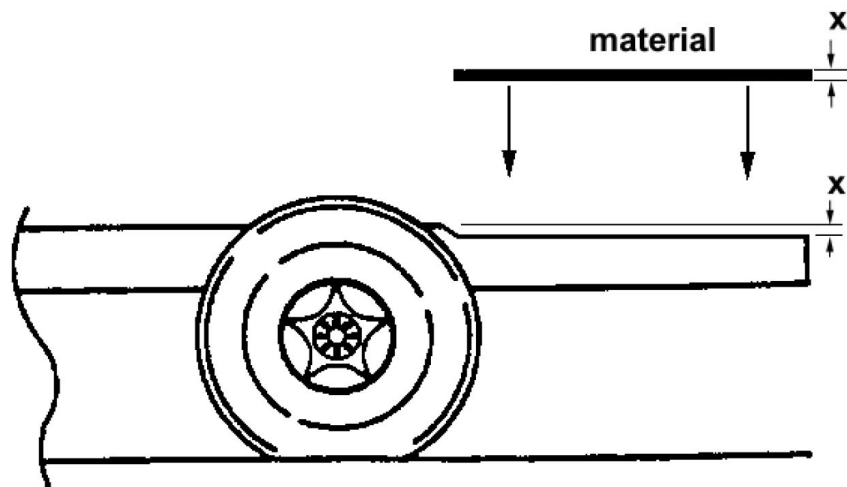
35-127 RS Installation Requirements

Chassis Preparation



Before the crane is mounted, Load King Cranes recommends that installation personnel give the truck a thorough inspection to ensure that everything is up to specification. We expect the installer/dealer to inspect the truck for the items listed in steps 1 through 3. These checks will make sure the truck is what you ordered and is in condition to accept the crane package. Trucks not in proper working order, or not to specification make for unreliable and sometimes even dangerous crane operation.

- 1) With the truck on a flat, horizontal surface check the truck frame for twist. Both rear corners should be at the same level with no drooping. The height of both frame rails, directly behind the cab, should measure out the same as well. If problems with frame alignment are encountered, the truck should be returned to the dealer for service before the crane is mounted.
2. Inspect the truck carefully for items such as fuel tanks, air tanks, and battery carriers that will have to be relocated.
3. The top surface of the frame rails must be flat from the cab to the rear end of the truck. If there is an offset in the frame, it must have material added to low spots to raise this area even with the rest of the frame. This material can usually be a 1/4in x 3in (6mm x 75mm) flat bar tacked to the truck frame. DO NOT weld on radius of frame.



PTO Selection

Class 8 trucks with manual transmissions normally have an SAE 8-bolt bottom opening PTO aperture located on the driver's side of the chassis. Class 8 trucks with automatic transmissions normally have a 10-bolt opening on either side of the chassis.

The crane pump is designed to rotate only when the truck is stationary with the transmission in neutral or park. Therefore, the PTO must have a shift function and NOT be constant mesh. PTO shift options for manual transmission include cable, direct air, electric over air, and clutch shift (hot shift). PTO shift options for automatic transmissions are limited to clutch shift.

Diesel engines in many late model trucks have increased crankshaft torsional vibration that is transmitted through the transmission and PTO and can cause fretting corrosion of the spline teeth on the pump input shaft. Initial application of grease, as well as regular greasing during use are the only deterrents to fretting corrosion.

IT IS HIGHLY RECOMMENDED THAT THE PTO BE SPECIFIED WITH AN EXTERNAL LUBE PROVISION (grease zerk) FOR THE OUTPUT SHAFT.

The maximum allowable pump speed for Load King 35-127 RS cranes is 2300 rpm.

Correct PTO % selection is critical for optimum crane performance and preventing pump damage from over speeding. PTO % (sometimes denoted as Engine %) can be summarized as the overall gear reduction between the engine crankshaft and the PTO output shaft.

The relationship can be expressed with the following formula:

$$\frac{\text{MAX PUMP SPEED X 100}}{\text{PTO \%}} = \text{ENGINE SPEED}$$

Class 8 trucks normally have engine horsepower and torque ratings in excess of the crane operating requirements, therefore, to reduce fuel consumption, engine wear and operational noise a PTO% in the range of 115% to 135% should be selected so that the maximum pump speed can be obtained by operating the engine in a range of 1700 rpm to 2000 rpm.

Sample Calculation:

A Muncie PTO model number TG8S-U6809- C1KG is selected for installation on an Eaton/Fuller model RT-8908LL transmission. Transmission/ PTO combination provides a PTO % of 127%. Using the above formula and maximum allowable pump speed, the maximum engine rpm is calculated as follows:

$$\frac{2300 \text{ rpm} \times 100}{127\%} = 1811 \text{ rpm}$$

The crane throttle control must be adjusted so that the maximum engine rpm is limited to 1800 rpm.

The PTO torque rating requirement is based on the crane pump displacement and the operating pressures of the hydraulics circuits. The Load King 35-127 RS minimum PTO torque rating is 210 ft-lbs (285Nm) or 40 HP (30kw) per 1000 rpm of PTO shaft speed.

35-127 RS Installation Requirements

PTO ROTATION:

The rotation direction of a PTO is defined while looking at the output shaft of the PTO.

PUMP ROTATION:

The rotation direction of a pump is defined while looking at the input shaft of the pump.

EXAMPLE:

A PTO with an output shaft that rotates CW (clockwise) requires a CCW (counterclock wise) pump.

When ordering your PTO, be sure to know the rotation direction of your pump, this will aid your PTO selection.

It is imperative that the rotation direction of the Load King supplied pump match the PTO output shaft rotation direction. Either CW or CCW rotation pumps are available from Load King . If the pump supplied with your crane is the wrong rotation direction, contact Load King customer service.

Do not attempt to rotate the pump in the wrong direction. Pump failure will result.

The Load King supplied pump has an SAE - B 2-Bolt mounting flange and a 7/8" (22.225mm) x 13 spline x 1.62 in (41mm) long splined input shaft. Specify the PTO with this output mounting provision.

Before installing the PTO, test fit the pump into the PTO output mounting flange to verify that the pump housing seats on the PTO mount housing before the pump shaft bottoms in the PTO output shaft. Failure to check for adequate pump shaft end clearance may damage both pump and PTO.

The PTO manufacturer will supply installation instruction specific to the PTO model being installed. Follow these instructions and direct any installation questions to the PTO manufacturer's customer service department.



NOTE: *Keep the protective covers on the pump inlet and outlets until the hoses are ready to be installed to keep dirt out!*



CONTACT WITH A ROTATING DRIVELINE COMPONENT WILL CAUSE
SERIOUS INJURY OR DEATH.

KEEP CLEAR OF ROTATING DRIVE SHAFT.

NEVER WORK ON AN INSTALLED POWER TAKE-OFF WITH THE ENGINE RUNNING.

Typical State Restrictions



To ensure that the final, assembled configuration of the boom truck is road legal, it is important that the assembler understand the user's state laws as well as the weight distribution of the components to be assembled on the truck chassis. Before beginning installation, **AXLE WEIGHT CALCULATIONS** should be done to ensure the legality of your finished crane.



Under the Commercial Motor Vehicle Safety Act of 1986, Operators of vehicles having a GVWR of 26,001 lbs or more must have a Commercial Driver's License (CDL). States may establish standards that are above and beyond the Federal Standards. Check with your individual state for their exact CDL requirements.

The following restrictions are typical of most states:

Maximum overall length: 40 ft (12200 mm) - Some states are less restrictive but 40 ft (12200 mm) should be the most restrictive overall length requirement.

Front Overhang 3 ft (920 mm)

Rear Overhang 4 ft (1220 mm)

3 ft (920 mm) and 4 ft (1220 mm) respectively should be the most restrictive front and rear overhang restrictions. State and local laws should still be consulted. Also keep in mind that in most states, the 3 ft (920 mm) and 4 ft (1220 mm) are taken within the overall length restriction.

Front Axle : Many states have a 20,000 lb (9075 kg) GAWR single axle restriction which also holds true for steer axles, but some states have a 12,000 lb (5445 kg) GAWR steer axle restriction. Check state and local laws.

Rear Tandem Axle: All states allow at least 34,000 lb (15425 kg) GAWR on the rear tandem axles.

Overall spacing between the front and rearmost axles could limit the truck to less than the sum of the tandem and front axle limits. Check with the Federal Bridge Formula for clarification.

It is recommended that the primary installer of this crane unit be familiar with the relationship between wheelbase and GVWR before a chassis is purchased, to ensure that the finished installation complies with local and national road transportation laws.

35-127 RS

Installation Requirements

Calculating Axle Loading

The following pages in this section contain information for your crane installation as well as directions, a worksheet, and examples to assist you in calculating the final axle loading of your installed crane.

Please read and understand the installation process before calculating these values.

The Installed Component Weights Reference Table at the end of this section includes the weights of the most common components used in your crane assembly. Reference the appropriate model number and utilize the information to fill out the **Axle Loading Calculations** worksheet to determine the axle loading of your crane before assembly begins.

Axle Loading Calculation Notes

EXAMPLE CALCULATION:

A completed **Axle Loading Calculation Example** sheet is included for reference only. Use the included example as a reference if you experience any issues during your calculations. Also included is a C.G. Measurement Diagram, use this to see how to measure component placement.

WEIGHT DISTRIBUTION:

By changing the location of components, you can change the axle loading of each axle. Keep in mind that when weight is shifted off of one axle, a proportional amount will be added to the other.

COMPONENT PLACEMENT:

It is important that you understand the placement of each component in relationship to the other components. Read and understand all of the assembly steps contained in this manual before beginning calculations.

NEGATIVE WEIGHTS:

For components installed in front of the front axle, you should see a negative weight for the rear axle, and for components behind the rear axle you should see a negative weight for the front axle.

SPARE LOADBLOCK OR OVERHAUL BALL:

If you plan on carrying either of these on the crane, you must enter its weight and stow position on the calculation sheet.

Axle Loading Calculation Procedure

1. Bare chassis axle weights

Weigh both the front and rear axles of the bare chassis to determine initial axle loading, enter these figures at the top of the **Axle Loading Calculation Worksheet**.



NOTE: A tandem axle is treated as one axle during calculations. Rear axle weight is measured with entire tandem on the scale in this case. Wheelbase is measured from center of front axle to center of rear tandem.

2. Determine location of subframe

You must pick a location for your subframe to begin calculations. This is expressed as distance from the truck cab. Refer to the **C.G. Measurement Diagram** for clarification. Typical Subframe locations are shown in the following table.

CAB TO SUBFRAME DISTANCE					
Model	BT2857	BT2000	BT3000	BT4000	35-127 RS
Cab to Subframe	24"	15"	15"	15"	9.5"



NOTE: Truck frame cross member placement must also be taken into account before determining subframe placement. Using the subframe as a guide, determine if there will be any interference between truck frame cross members and the mainframe tiedowns. Adjust subframe location as necessary.

3. Measure front axle to subframe distance

Every truck model has a different cab length, therefore you must measure the distance from the center of the front axle to the front of the subframe location you have just determined.



NOTE: If there is a component listed in the worksheet that is not part of your particular installation, ignore it and leave it out of any calculations you make.

4. Installed crane and jib CG locations:

These locations are calculated by adding the given CG location figures to the measured distance from the center of the front axle to the leading edge of the subframe.

CG Location (from fold-out table)
 + Front axle to Subframe distance (measured)
 = Installed CG Location

Use the Installed CG Location figure to calculations late the rear axle weight for each of these components. Refer to the **C.G. Measurement Diagram** for reference. This is also shown in the **Axle Loading Calculation Example**.

35-127 RS Installation Requirements

5. Measure component distances

Using Section 3 of this manual as a guide, measure the distance from the center of the front axle to the proposed location for each component listed in the **Axle Loading Calculation- Worksheet** and enter the values into the worksheet per the **Axle Loading Calculation Example**.



NOTE: *Components that are located in front of the front axle should be calculated using a negative distance. This will result in a negative weight on the rear axle for that component. This is correct and the value should be subtracted when totaling the rear axle weight. You will also get a negative front axle weight for items located behind the rear axle.*

6. Enter component weights

Locate your crane model on the **Component Weight Reference Table** and enter the component weights from this column into the **Axle Loading Calculation Worksheet** in the appropriate blank of the rear axle column.

7. Copy the component weights

Copy the values you just entered to the appropriate blanks in the Front Axle column.

8. Calculate rear axle component weights

Using the values entered in the Rear Axle column on the worksheet calculate the rear axle weight for each component and enter this into the rear axle Results column on the worksheet. Reference the **Axle Loading Calculation Example** for clarification.

9. Copy the rear axle component weights

Copy the values you just entered to the appropriate blanks in the Front Axle column.

10. Rear axle weight totals

Add all of the weights from the rear axle Results column of the worksheet and enter this value in the Rear Axle total at the bottom of the worksheet.

11. Calculate front axle component weights

Using the figures already entered into the Front Axle column on the worksheet (component weight and component rear axle weight) calculate the front axle weight for each component and enter this into the Results column.

12. Front axle weight totals

Add all of the weights from the front axle Results column of the worksheet and enter this value in the Front Axle Total at the bottom of the worksheet.



The final axle weight values should be compared to local, state, and federal laws to help ensure legality of your completed crane. Also, make sure the values match your own expectations. If you experience issues with your calculations, contact Load King service for assistance.

Axle Loading Calculation Worksheet

Crane Model Number _____

Component	Instructions	Rear Axle		Front Axle		Results	
		Truck Rear Axle Weight	Truck Front Axle Weight	Crane Rear Axle Weight	Crane Front Axle Weight	Truck Rear Axle Weight	Truck Front Axle Weight
Truck (Bare Chassis)	Front Axle Weight = front axle bare chassis weight (customer supplied) Rear Axle Weight = rear axle bare chassis weight (customer supplied)						
Crane	Crane Weight = appropriate model crane weight from chart Installed Crane CG = distance from center of front axle to front of subframe + applicable Crane CG distance from chart	Crane Weight X CG Wheelbase	X	Crane Weight X CG Wheelbase	X	Crane Rear Axle Weight	Crane Front Axle Weight
Auxiliary Outrigger	Auxiliary Outrigger Weight = appropriate weight from chart Auxiliary Outrigger CG = distance from center of front axle to center of proposed auxiliary outrigger placement	Aux O/R Weight X CG Wheelbase	X	Aux O/R Weight X CG Wheelbase	X	Aux O/R Rear Axle Weight	Aux O/R Front Axle Weight
Hydraulic Tank	Hydraulic Tank Weight = appropriate weight from chart Hydraulic Tank CG = distance from center of front axle to center of hydraulic tank	Hyd Tank Weight X CG Wheelbase	X	Hyd Tank Weight X CG Wheelbase	X	Hyd Tank Rear Axle Weight	Hyd Tank Front Axle Weight
Overhaul Ball	Overhaul Ball Weight = appropriate weight from chart Overhaul Ball CG = distance from center of front axle to center of overhaul ball when in slow position	Ball Weight X Ball CG Wheelbase	X	Ball Weight X Ball CG Wheelbase	X	Ball Rear Axle Weight	Ball Front Axle Weight
Load Block	Load Block Weight = appropriate weight from chart Load Block CG = distance from center of front axle to center of Load Block when in slow position	Block Weight X Block CG Wheelbase	X	Block Weight X Block CG Wheelbase	X	Block Rear Axle Weight	Block Front Axle Weight
Jib	Jib Weight = appropriate weight from chart Installed Jib CG = distance from center of front axle to front of subframe + applicable Jib CG distance from chart	Jib Weight X Jib CG Wheelbase	X	Jib Weight X Jib CG Wheelbase	X	Jib Rear Axle Weight	Jib Front Axle Weight
Flatbed	Flatbed Weight = appropriate weight from chart Flatbed CG = distance from center of front axle to center of the flatbed	Flatbed Weight X CG Wheelbase	X	Flatbed Weight X CG Wheelbase	X	Flatbed Rear Axle Weight	Flatbed Front Axle Weight
Front Bumper Outrigger	FBO Weight = appropriate weight from chart FBO CG = distance from center of front axle to the center of front jack (in most cases the front jack is mounted 12 inches in front of radiator)	FBO Weight X FBO CG Wheelbase	X	FBO Weight X FBO CG Wheelbase	X	FBO Rear Axle Weight	FBO Front Axle Weight
Pump and PTO	Pump/PTO Weight = appropriate weight from chart Pump/PTO CG = distance from center of front axle to pump mounting flange	Pump/PTO Weight X CG Wheelbase	X	Pump/PTO Weight X CG Wheelbase	X	Pump/PTO Rear Axle Weight	Pump/PTO Front Axle Weight
Toolbox	Toolbox Weight = appropriate weight from chart Toolbox CG = distance from center of front axle to pump mounting flange	Toolbox Weight X CG Wheelbase	X	Toolbox Weight X CG Wheelbase	X	Toolbox Rear Axle Weight	Toolbox Front Axle Weight
		Rear Axle Total		Front Axle Total		Results	

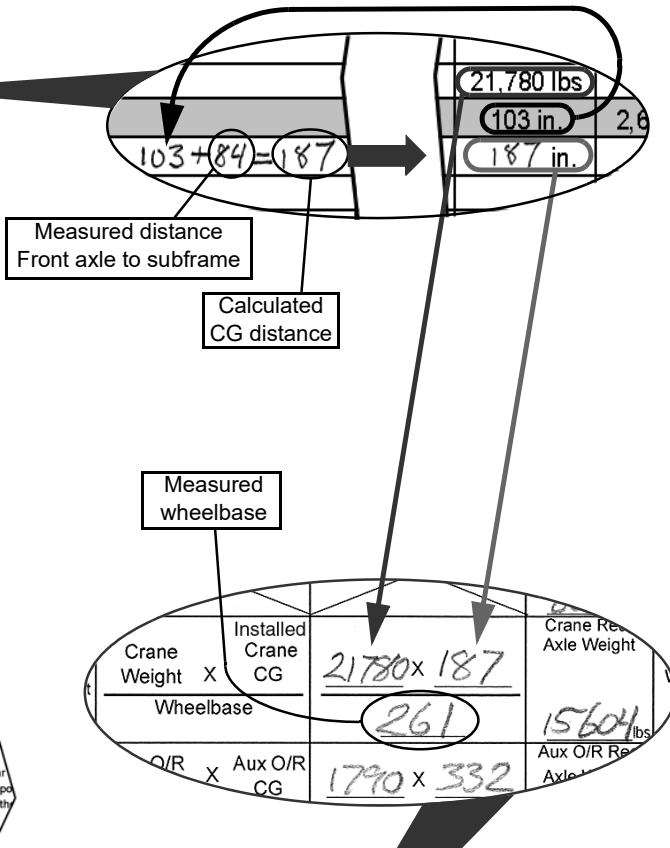
35-127 RS Installation Requirements

Axle Loading Calculation Example

Excerpt from Component Weight Reference Table

Component Weight Reference Table		BT4792	
Crane*		21,780 lbs	9,888 kg
Crane CG [†]		103 in.	2,616 mm
Installed Crane CG ^{††}	$103 + 84 = 187$	187 in.	mm
Auxiliary Outrigger		1,790 lbs	813 kg
Hydraulic Tank			
70 Gallon	N/A	N/A	
90 Gallon	650 lbs	295 kg	
Overhaul Ball			
Swivel (Standard Rope)	168 lbs	75 kg	
Non-Swivel (Rotation Resistant Rope)	175 lbs	78 kg	
Load Block			
1 Sheave	170 lbs	81 kg	
2 Sheaves	175 lbs	92 kg	
4 Sheaves	N/A	N/A	
Jib (One-piece length/Two-piece length)			
One-piece	2644 ft.	7.9/13.4 m	
One-piece CG [†]	970 lbs	440 kg	
Installed One-piece CG ^{††}	$198 + 84 = 282$	282 in.	mm
Two-piece	1,300 lbs	590 kg	
Two-piece CG [†]	195 in.	4,940 mm	
Installed Two-piece CG ^{††}			
Flatbed (length in ft.)			
Heavy Duty Steel	21 ft.	6.4 m	
Heavy Duty Wood	2,063 lbs	937 kg	
Super Duty Steel	1,472 lbs	668 kg	
Super Duty Wood	2,501 lbs	1,135 kg	
Super Duty Steel over Wood	2,917 lbs	1,324 kg	
Super Duty Wood	2,286 lbs	1,038 kg	
Super Duty Steel over Wood	3,315 lbs	1,505 kg	
Front Bumper Outrigger			
	400 lbs	182 kg	
Pump and PTO			
	110 lbs	50 kg	
Toolbox			
Toolbox - 36" Under-Bed	85 lbs	39 kg	
Toolbox - Crossbox (B-2857 Only)	N/A	N/A	

FOR EXAMPLE ONLY



Crane Model Number BT4792		AXLE WEIGHT CALCULATIONS				
Component	Instructions	Rear Axle		Results	Front Axle	Results
Truck (Bare Chassis)	Front Axle Weight = front axle bare chassis weight (customer supplied) Rear Axle Weight = rear axle bare chassis weight (customer supplied)			Truck Rear Axle Weight 8590 lbs		Truck Front Axle Weight 9220 lbs
Crane	Crane Weight = appropriate model crane weight from chart Installed Crane CG = distance from center of front axle to front of subframe + applicable Crane CG distance from chart	Crane Weight X Wheelbase 21780×187	Wheelbase 261	Crane Rear Axle Weight 15604 lbs	Crane Weight - Crane Rear Axle Weight $21780 - 15604$	Crane Front Axle Weight 6176 lbs
Auxiliary Outrigger	Auxiliary Outrigger Weight = appropriate weight from chart Auxiliary Outrigger CG = distance from center of front axle to center of proposed auxiliary outrigger placement	Aux O/R Weight X Aux O/R CG 1790×332	Wheelbase 261	Aux O/R Rear Axle Weight 2276 lbs	Aux O/R Weight - Aux O/R Rear Axle Weight $1790 - 2276$	Aux O/R Front Axle Weight -486 lbs
Hydraulic Tank	Hydraulic Tank Weight = appropriate weight from chart Hydraulic Tank CG = distance from center of front axle to center of hydraulic tank	Hyd Tank Weight X Hyd Tank CG 650×171.5	Wheelbase 261	Hyd Tank Rear Axle Weight 111.7 lbs	Hyd Tank Weight - Hyd Tank Rear Axle Weight $650 - 427$	Hyd Tank Front Axle Weight 223 lbs
Overhaul Ball	Overhaul Ball Weight = appropriate weight from chart Overhaul Ball CG = distance from center of front axle to center of overhaul ball when in stow position	Ball Weight X Ball CG 168×170	Wheelbase 261	Ball Rear Axle Weight 257 lbs	Ball Weight - Ball Rear Axle Weight $168 - 257$	Ball Front Axle Weight -91 lbs
Load Block	Load Block Weight = appropriate weight from chart Load Block CG = distance from center of front axle to center of Load Block when in stow position	Block Weight X Block CG 170×170	Wheelbase 261	Block Rear Axle Weight 132 lbs	Block Weight - Block Rear Axle Weight $203 - 132$	Block Front Axle Weight 71 lbs
Jib	Jib Weight = appropriate weight from chart Installed Jib CG = distance from center of front axle to center of front flange + applicable Jib CG distance from chart	Jib Weight X Installed Jib CG 970×282	Wheelbase 261	Jib Rear Axle Weight 1048 lbs	Jib Weight - Jib Rear Axle Weight $970 - 1048$	Jib Front Axle Weight -78 lbs
Flatbed	Flatbed Weight = appropriate weight from chart Flatbed CG = distance from center of front axle to center of the flatbed	Flatbed Weight X Flatbed CG 1472×253	Wheelbase 261	Flatbed Rear Axle Weight 1426 lbs	Flatbed Weight - Flatbed Rear Axle Weight $1472 - 1426$	Flatbed Front Axle Weight 46 lbs
Front Bumper Outrigger	FBO Weight = appropriate weight from chart FBO CG = distance from center of front axle to the center of front jack (in most cases the front jack is mounted 12 inches in front of radiator)	FBO Weight X FBO CG 400×42	Wheelbase 261	FBO Rear Axle Weight 63 lbs	FBO Weight - FBO Rear Axle Weight $400 - 63$	FBO Front Axle Weight 463 lbs
Pump and PTO	Pump/PTO Weight = appropriate weight from chart Pump/PTO CG = distance from center of front axle to pump mounting flange	Pump/PTO Weight X CG 110×14	Wheelbase 261	Pump/PTO Rear Axle Weight 5.8 lbs	Pump/PTO Weight - Pump/PTO Rear Axle Weight $110 - 5.8$	Pump/PTO Front Axle Weight 104 lbs
Toolbox	Toolbox Weight = appropriate weight from chart Toolbox CG = distance from center of front axle to center of toolbox	Toolbox Weight X Toolbox CG 85×171.5	Wheelbase 261	Toolbox Rear Axle Weight 55 lbs	Toolbox Weight - Toolbox Rear Axle Weight $85 - 55$	Toolbox Front Axle Weight 30 lbs
		Rear Axle Total		297474 lbs	Front Axle Total	
					14738 lbs	

FOR EXAMPLE ONLY

INSTALLATION REQUIREMENTS

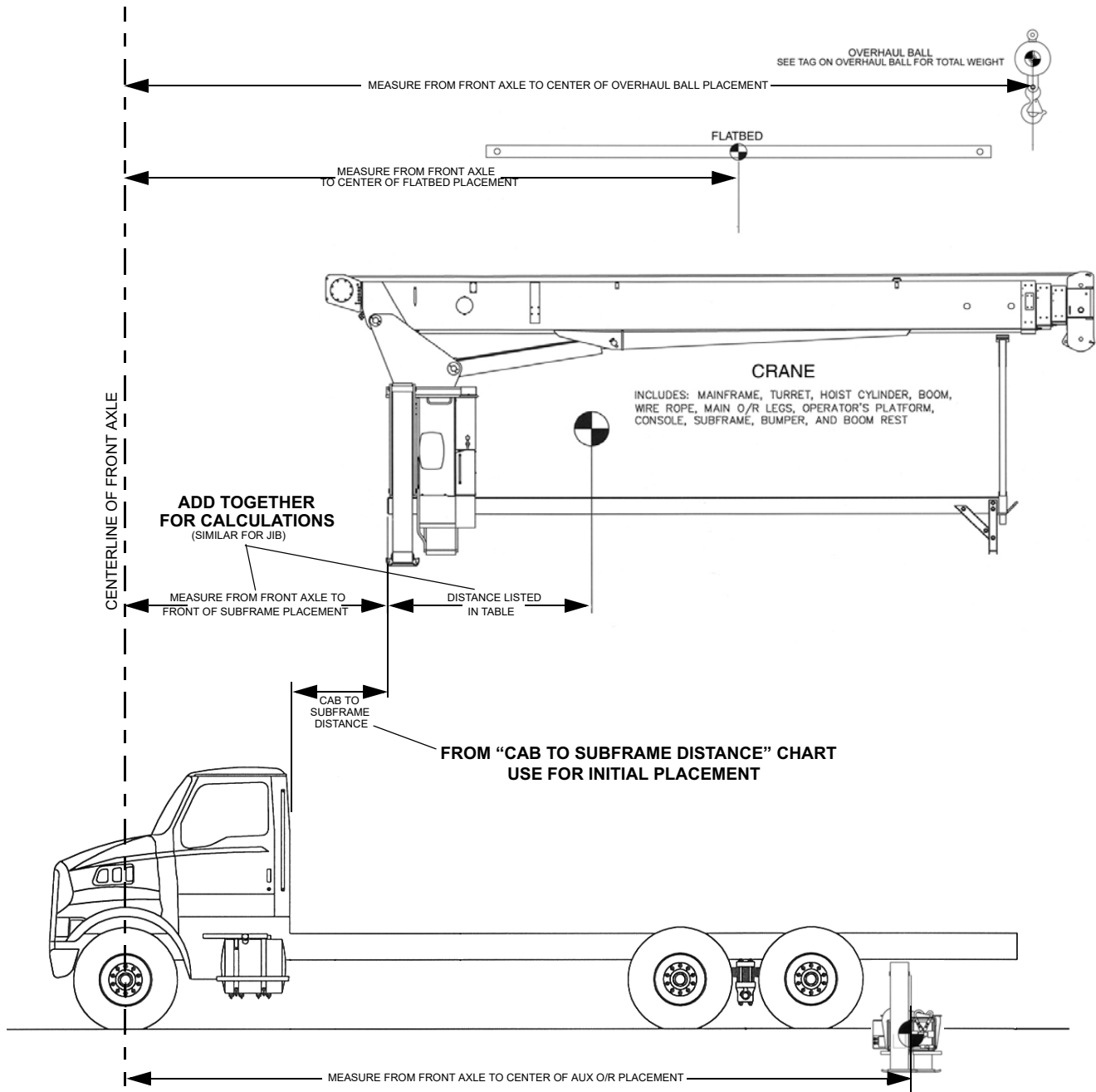
ADD RESULTS

BT4000

Page 2 - 9

Issued: April 2006

C.G. Measurement Diagram



All measurements made from centerline of front axle.

35-127 RS Installation Requirements

Component Weight Reference Table

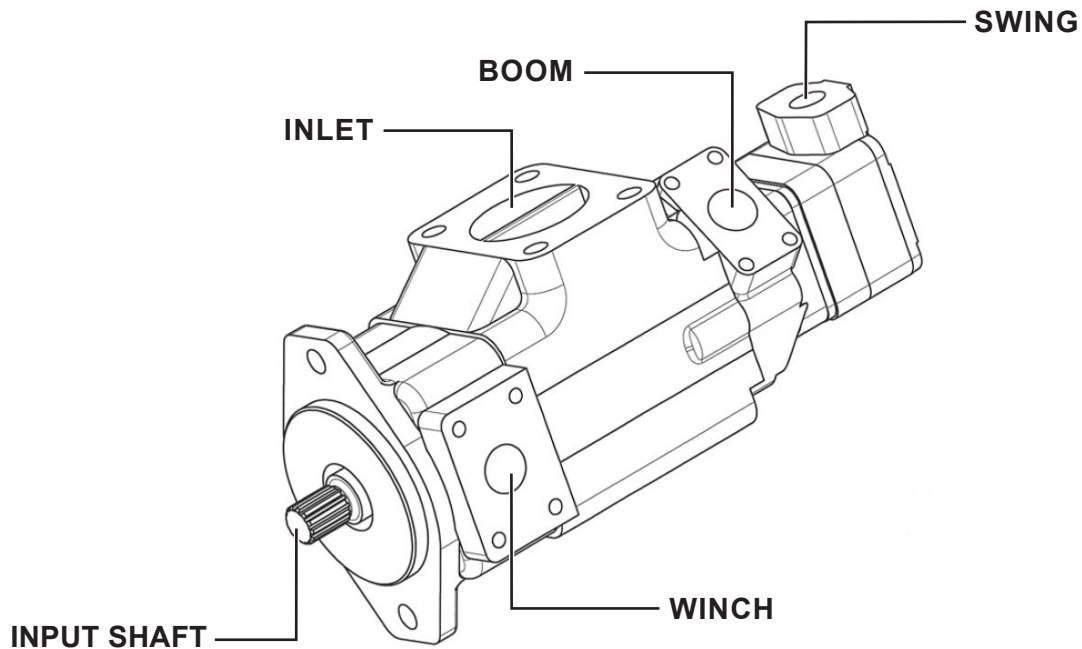
Crane *	BT2047	BT2057	BT2857	BT3063	BT3470	TM3651	BT4792	BT1077	BT1000	RS70100
Weight	10,700 lbs 4,868 kg	11,250 lbs 5,108 kg	10,600 lbs 4,812 kg	14,050 lbs 6,379 kg	15,000 lbs 6,810 kg	12,880 lbs 5,848 kg	21,780 lbs 9,888 kg	24,350 lbs 11,055 kg	25,600 lbs 11,622 kg	28,200 lbs 13,257 kg
Crane CG [†]	84 in. 1,926 mm	89 in. 1,752 mm	75 in. 1,905 mm	75 in. 1,905 mm	83 in. 2,109 mm	79 in. 2,007 mm	103 in. 2,616 mm	112 in. 2,845 mm	120 in. 3,048 mm	72 in. 1,829 mm
Installed Crane CG ^{††}	890 lbs 404 kg	890 lbs 404 kg	N/A	890 lbs 404 kg	890 lbs 404 kg	800 lbs 363 kg	1,790 lbs 813 kg	1,790 lbs 813 kg	1,790 lbs 813 kg	N/A
Auxiliary Outrigger	500 lbs 227 kg	500 lbs 227 kg	500 lbs 227 kg	500 lbs 227 kg	500 lbs 227 kg	500 lbs 227 kg	N/A	N/A	N/A	N/A
Hydraulic Tank	70 Gallon N/A	90 Gallon N/A	90 Gallon N/A	90 Gallon N/A	90 Gallon N/A	90 Gallon N/A	90 Gallon N/A	90 Gallon N/A	90 Gallon N/A	90 Gallon N/A
Overhaul Ball	108 lbs 49 kg	108 lbs 49 kg	108 lbs 49 kg	108 lbs 49 kg	108 lbs 49 kg	108 lbs 49 kg	108 lbs 49 kg	108 lbs 49 kg	108 lbs 49 kg	108 lbs 49 kg
Sheave (Standard Rope)	88 lbs 40 kg	98 lbs 44 kg	98 lbs 44 kg	98 lbs 44 kg	98 lbs 44 kg	98 lbs 44 kg	98 lbs 44 kg	98 lbs 44 kg	98 lbs 44 kg	98 lbs 44 kg
Non-Swivel (Rotation Resistant Rope)	130 lbs 59 kg	130 lbs 59 kg	130 lbs 59 kg	130 lbs 59 kg	130 lbs 59 kg	130 lbs 59 kg	130 lbs 59 kg	130 lbs 59 kg	130 lbs 59 kg	130 lbs 59 kg
Load Block	170 lbs 77 kg	170 lbs 77 kg	170 lbs 77 kg	170 lbs 77 kg	170 lbs 77 kg	170 lbs 77 kg	170 lbs 77 kg	170 lbs 77 kg	170 lbs 77 kg	170 lbs 77 kg
1 Sheave	N/A	N/A	N/A	N/A	N/A	N/A	N/A	N/A	N/A	N/A
2 Sheaves	N/A	N/A	N/A	N/A	N/A	N/A	N/A	N/A	N/A	N/A
4 Sheaves	N/A	N/A	N/A	N/A	N/A	N/A	N/A	N/A	N/A	N/A
Jib (One-piece length/Two-piece length)	19/30 ft. 5.6/9.1 m	22/26 ft. 6.7/7.9 m	22/26 ft. 6.7/7.9 m	24/40 ft. 7.3/12.2 m	24/40 ft. 7.3/12.2 m	24/40 ft. 7.3/12.2 m	24/40 ft. 7.3/12.2 m	24/40 ft. 7.3/12.2 m	24/40 ft. 7.3/12.2 m	24/40 ft. 7.3/12.2 m
One-piece	400 lbs 182 kg	490 lbs 222 kg	490 lbs 222 kg	560 lbs 254 kg	560 lbs 254 kg	560 lbs 254 kg	560 lbs 254 kg	560 lbs 254 kg	560 lbs 254 kg	560 lbs 254 kg
Two-piece	139 in. 3,531 mm	155 in. 3,937 mm	155 in. 3,937 mm	189 in. 4,802 mm	189 in. 4,802 mm	189 in. 4,802 mm	189 in. 4,802 mm	189 in. 4,802 mm	189 in. 4,802 mm	189 in. 4,802 mm
One-piece CG	700 lbs 318 kg	805 lbs 365 kg	805 lbs 365 kg	805 lbs 365 kg	805 lbs 365 kg	805 lbs 365 kg	805 lbs 365 kg	805 lbs 365 kg	805 lbs 365 kg	805 lbs 365 kg
Two-piece CG	154 in. 3,904 mm	150 in. 3,797 mm	150 in. 3,797 mm	193 in. 4,902 mm	193 in. 4,902 mm	193 in. 4,902 mm	193 in. 4,902 mm	193 in. 4,902 mm	193 in. 4,902 mm	193 in. 4,902 mm
Installed Two-piece CG ^{††}	16 ft. 4.9 m	16 ft. 4.9 m	16 ft. 4.9 m	18 ft. 5.5 m	18 ft. 5.5 m	18 ft. 5.5 m	18 ft. 5.5 m	18 ft. 5.5 m	18 ft. 5.5 m	18 ft. 5.5 m
Flatbed (length in ft.)	1,584 lbs 718 kg	1,584 lbs 718 kg	1,584 lbs 718 kg	1,773 lbs 805 kg	1,773 lbs 805 kg	1,773 lbs 805 kg	1,773 lbs 805 kg	1,773 lbs 805 kg	1,773 lbs 805 kg	1,773 lbs 805 kg
Heavy Duty Steel	1,116 lbs 508 kg	1,116 lbs 508 kg	1,116 lbs 508 kg	1,248 lbs 568 kg	1,248 lbs 568 kg	1,248 lbs 568 kg	1,248 lbs 568 kg	1,248 lbs 568 kg	1,248 lbs 568 kg	1,248 lbs 568 kg
Heavy Duty Wood	1,899 lbs 862 kg	1,899 lbs 862 kg	1,899 lbs 862 kg	2,167 lbs 984 kg	2,167 lbs 984 kg	2,167 lbs 984 kg	2,167 lbs 984 kg	2,167 lbs 984 kg	2,167 lbs 984 kg	2,167 lbs 984 kg
Super Duty Steel over Wood	2,268 lbs 1,030 kg	2,268 lbs 1,030 kg	2,268 lbs 1,030 kg	2,571 lbs 1,145 kg	2,571 lbs 1,145 kg	2,571 lbs 1,145 kg	2,571 lbs 1,145 kg	2,571 lbs 1,145 kg	2,571 lbs 1,145 kg	2,571 lbs 1,145 kg
Super Duty Wood	1,783 lbs 803 kg	1,783 lbs 803 kg	1,783 lbs 803 kg	1,989 lbs 900 kg	1,989 lbs 900 kg	1,989 lbs 900 kg	1,989 lbs 900 kg	1,989 lbs 900 kg	1,989 lbs 900 kg	1,989 lbs 900 kg
Super Duty Steel over Wood	2,357 lbs 1,069 kg	2,357 lbs 1,069 kg	2,357 lbs 1,069 kg	2,862 lbs 1,298 kg	2,862 lbs 1,298 kg	2,862 lbs 1,298 kg	2,862 lbs 1,298 kg	2,862 lbs 1,298 kg	2,862 lbs 1,298 kg	2,862 lbs 1,298 kg
Front Bumper Outrigger	400 lbs 182 kg	400 lbs 182 kg	400 lbs 182 kg	400 lbs 182 kg	400 lbs 182 kg	400 lbs 182 kg	400 lbs 182 kg	400 lbs 182 kg	400 lbs 182 kg	400 lbs 182 kg
Pump and PTO	110 lbs 50 kg	110 lbs 50 kg	110 lbs 50 kg	110 lbs 50 kg	110 lbs 50 kg	110 lbs 50 kg	110 lbs 50 kg	110 lbs 50 kg	110 lbs 50 kg	110 lbs 50 kg
Toolbox	65 lbs 29 kg	65 lbs 29 kg	65 lbs 29 kg	65 lbs 29 kg	65 lbs 29 kg	65 lbs 29 kg	65 lbs 29 kg	65 lbs 29 kg	65 lbs 29 kg	65 lbs 29 kg
Toolbox - 36" Under Bed	N/A	N/A	N/A	N/A	N/A	N/A	N/A	N/A	N/A	N/A
Toolbox - Chassis (BT2857 Only)	N/A	N/A	N/A	N/A	N/A	N/A	N/A	N/A	N/A	N/A

N/A Not Available
 * Crane weight and CG is comprised of Subframe, Mainframe, Turret, Main O/R legs, Boom, and Wire Rope
 † For RS models the flatbed is factored into the crane weight
 †† For RS models the CG locations are measured from the centerline of rotation (positive is to the front of the chassis and negative is toward the rear)
 ††† For RS models the CG locations are measured from the front axle to the subframe
 †††† For RS models the CG locations are measured from the front axle to the subframe



NOTE: All Assembly prints are located in Section 8 of this manual. Use this collection of prints as a reference for proper assembly of your crane.

Hydraulic Pump Installation



Pump Port descriptions:

Inlet Port -	Largest Port located on the largest section of the pump (SKF 40)
Winch Port-	Port closest to pump input shaft (SKF 16)
Boom Port -	Second output Port from Input Shaft (SKF12)
Swing Port -	Last output port from Input Shaft (#8 O-ring)

Pump preparation:

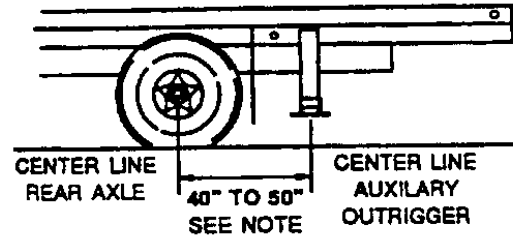
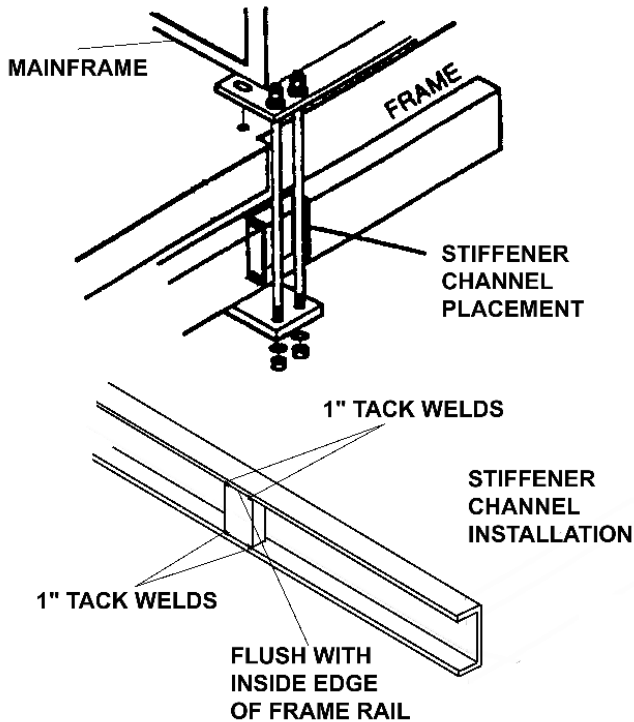
1. Remove port covers and loosely install one half of each split flange clamp on each port. Fully Install the 90° #8 elbow in the last section of the pump facing away from the body of the pump.

Pump Installation:

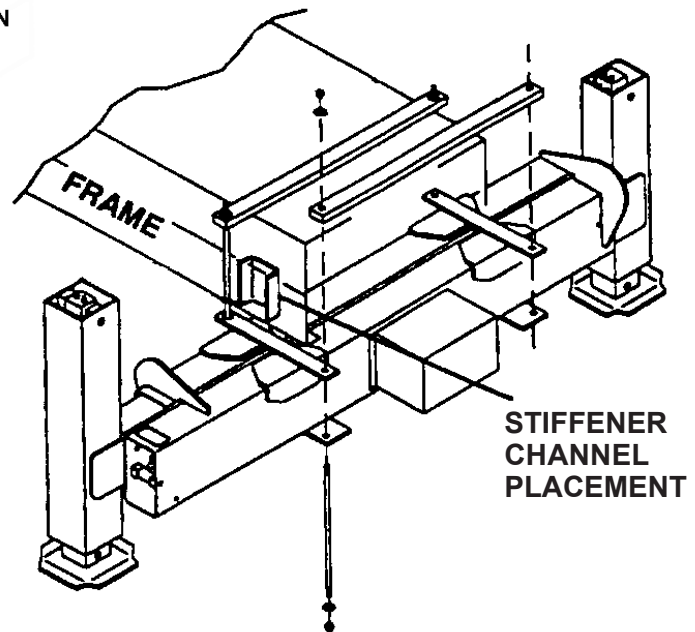
1. Lift pump into place, aligning pump input shaft and PTO output shaft. Check Alignment and full seating of input shaft before securing with the supplied bolts, torqued according to the “Torque Chart for Installation Hardware” in section 6.
2. Using hoses from kit, attach hoses to corresponding pump ports. These hoses can be left hanging from pump until connection to valve bodies at a later step.

35-127 RS Installation

Frame Stiffener Installation



NOTE:
CENTERLINE OF AUXILIARY OUTRIGGERS TO BE LOCATED AND MOUNTED AS CLOSE TO 40" BEHIND CENTER LINE OF REAR AXLE AS POSSIBLE. LOCATION OF OUTRIGGERS WILL BE LIMITED BY LOCATION OF CROSS MEMBERS IN FLATBED.



Frame stiffeners must be of the following dimensions, and be cut to length to fit snugly into the trucks frame rails.

- 6" (152 mm) width
- 2 5/32" (55 mm) deep
- 7/16" (11 mm) material



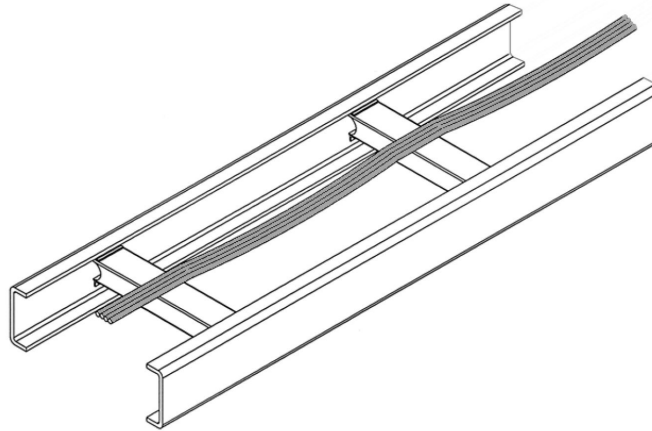
The frame stiffener channels must be centered under the mainframe and auxiliary outrigger tiedown locations. Location of flatbed cross members must also be taken into account when installing auxiliary outriggers. Measure to check that flatbed cross members will clear auxiliary outrigger clamp plate.

The stiffeners must be physically driven into the frame until the surface is flush with the inside edge of the frame rail. These channels should have 1" tack welds in each corner, on the inside edge of the frame rail. Do not weld on radius of frame.

Wiring and Hose Routing

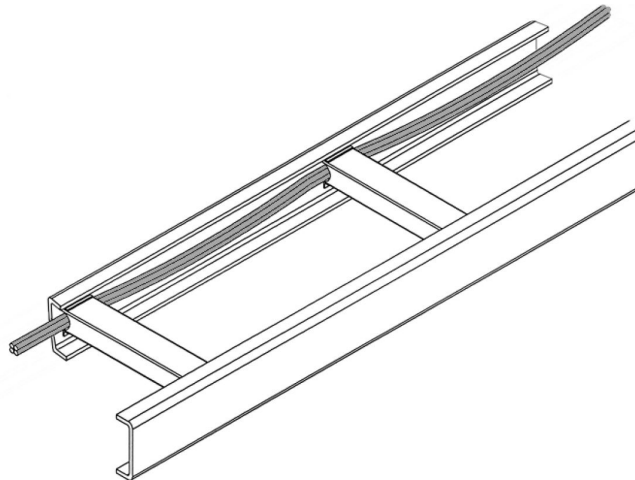
Before placing the subframe on the truck's frame rails, it is recommended that you decide on placement of the six auxiliary outrigger hoses and wiring. There are typically two methods of routing these:

1. Draped across the truck frame cross members. Using large cable ties to secure them loosely to each cross member.



METHOD 1

2. Routed inside the frame rails and through each cross member.



METHOD 2

The preferred method will depend on the type of cross members on the chassis, and clearance between the cross members and the top of the frame rails.

These hoses may need to be marked on both ends to make identifying easier during connection.



If the first method is used, there is a possibility of pinching the hoses or wiring between the subframe and cross members. The clearance between the truck frame cross members and the top of the frame rails must be greater than the diameter of the largest hose.

35-127 RS Installation

Crane Installation



Mainframe and subframe are very heavy components (7000 lbs and 3500 lbs respectively) and caution should be used as well as proper lifting devices.

1. Assemble the mounting tiedown bolts for each corner of the mainframe and for the auxiliary outriggers. Assembly includes: tiedowns, hardened flat washers, jam nuts, and lock nuts. Drive the lock nuts onto the tiedown bolts and lock into place with the jam nut on top of the lock nut.

An acceptable method of getting the lock nuts on the bolt is to clamp the bolt in a vise and turn the nut with an impact wrench.

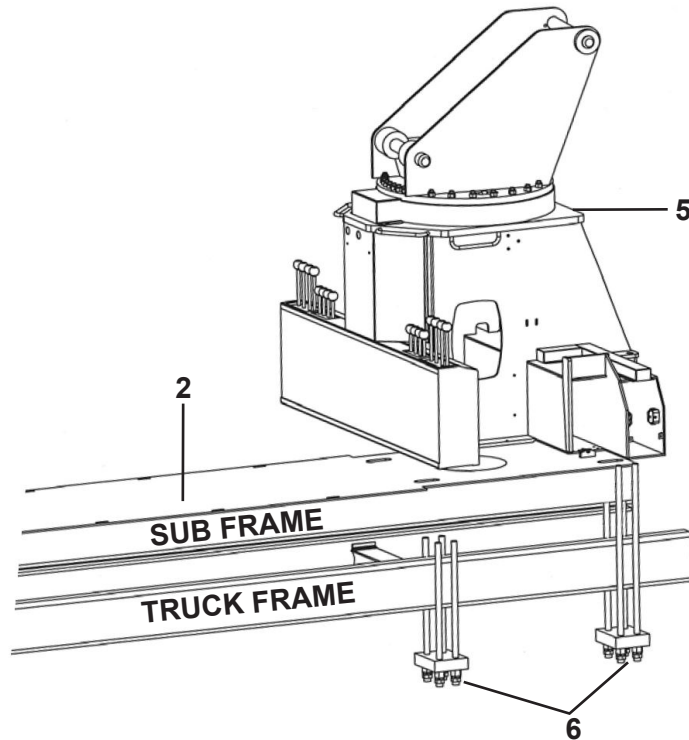


NOTE: Make sure the threads are free of contamination and damage, and are properly lubricated, or galling may occur.

2. Lace subframe on the truck frame as determined by your frame stiffener placement.
3. Install the auxiliary outriggers as illustrated on the Aux. Outrigger Inst all drawing. Make sure to center on the frame stiffeners. The outrigger assembly can be lifted into place with two lifting straps, one on either side of the subframe. The auxiliary outrigger clamp plates are installed over the top of the subframe. Using an impact wrench, snug the tiedown bolts evenly.
4. Connect the auxiliary outrigger hoses to the vertical outrigger jacks and the electric selector valve. These consist of 3/8" hoses for the jacks, 3/8" for the selector valve supply and 1/2" for the selector valve return. Keep track of each hose and its connection to be sure of connecting them correctly during mainframe installation.
5. Bring in mainframe and place in position on subframe as per the M/F Turret installation drawing. Lifting can be done using the boom pivot pin. The use of alignment pins in the tiedown holes will facilitate mainframe placement and hole alignment.
6. Insert the tiedown bolts into the clamp bars, and insert the assembly, from the bottom of the truck frame, and through the mainframe mounting holes as shown below. Thread a lock nut onto each tiedown bolt. When all four clamp bar assemblies are installed, snug up the tiedown nuts.



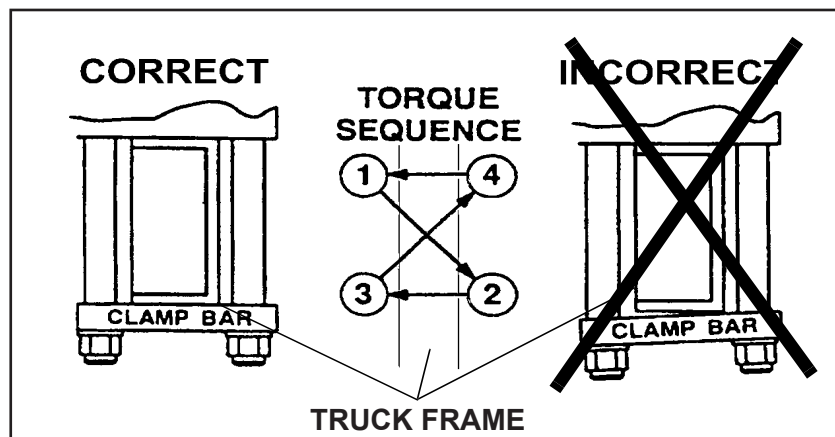
NOTE: Truck cab omitted for clarity.



7. Recheck to ensure that the subframe and mainframe are still positioned correctly on the centerline of the chassis. Torque all mounting tiedown bolts (mainframe and auxiliary outrigger) as per the Torque Values chart in Section 6. It is best to torque in an X pattern alternating from inner-front corner to outer-rear corner, etc.



The clamp bars must be kept level and centered on the truck frame. If this is not done, it may weaken the tiedown bolts or cause failure.

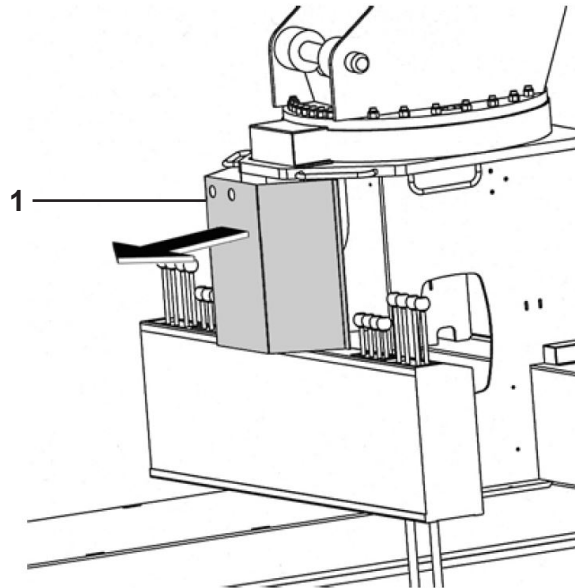


8. Install shear plates as in the Shear Plate Installation drawing.

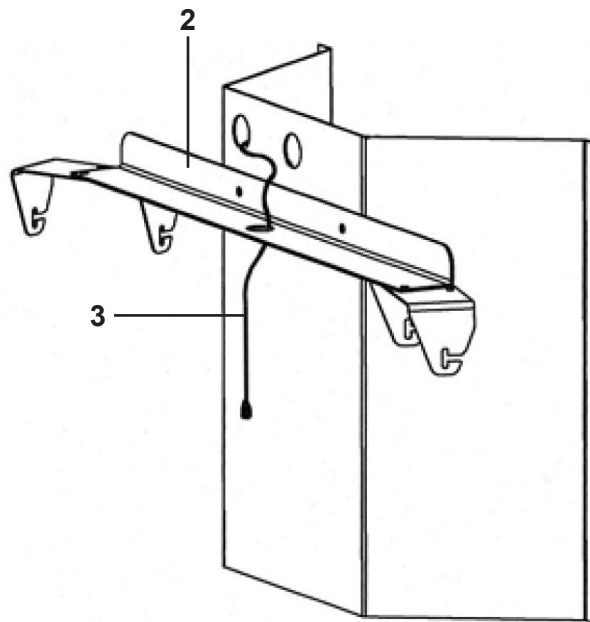
35-127 RS Installation

RCI Bracket Assembly Installation

- 1 Remove swing drive cover from mainframe assembly.



- 2 Assemble the RCI display mount and attach the assembly to swing drive cover as shown.
- 3 Feed RCI display cable from inside main-frame through the side hole of the swing drive cover and re-attach the cover to the mainframe.

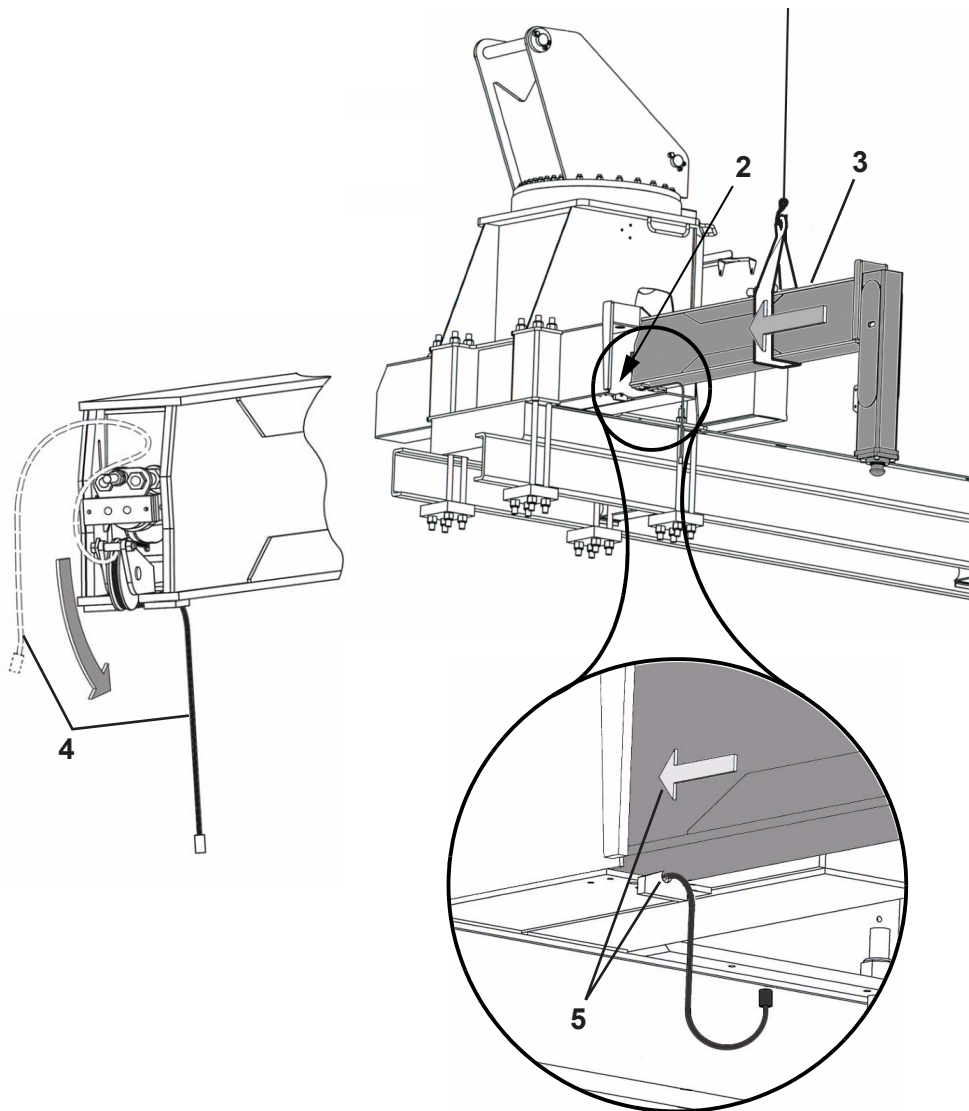


Main Outrigger Leg Installation

1. There may be outrigger hoses secured inside the outrigger tubes, if so it is necessary to remove these before proceeding.
2. Apply a layer of lithium grease to the lower inside of the outrigger tube to facilitate insertion of the outrigger leg.
3. Using a single, wide lift strap, hoist the outrigger leg into position, paying attention to the orientation of the leg and make sure it balances level.
4. Inside the upper end of the outrigger leg, you will find the loose end of the extend/retract cable. Pull this cable out and wrap it around the retract pulley as show.
5. Align the outrigger leg with the opening in the outrigger tube and guide the outrigger into the outrigger tube being sure to guide the extend/retract cable into the slot as shown.



NOTE: *Outrigger shown partially inserted in this view.*



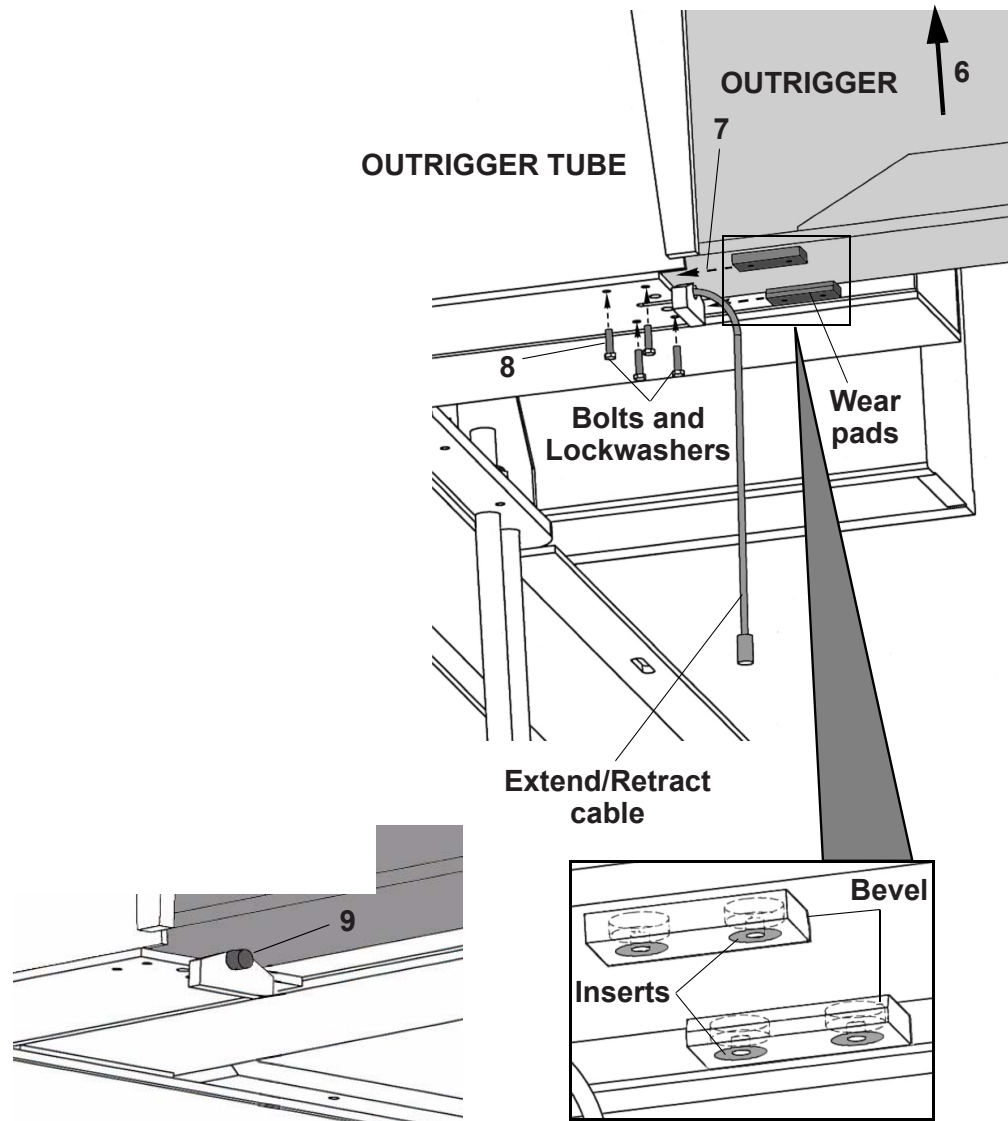
35-127 RS Installation

6. With the outrigger extending from the outrigger tube approximately two feet, hoist the leg up until it contacts the upper part of the outrigger tube. This will maximize the space for inserting the wear pads.
7. Apply a layer of grease to the upper surface of the wear pad before carefully inserting it in the space between outrigger and the outrigger tube. Threaded inserts should be on the bottom and the bevels should be to the inside.



NOTE: *There is a chance of the wear pad sliding out of reach during insertion, it may be helpful to partially insert a bolt during this procedure to assist in alignment.*

8. Insert and tighten bolts to secure wear pads, release hoist from outrigger.
9. Push the outrigger the rest of the way into the outrigger tube, being sure to guide the extend/retract cable to prevent binding. When the outrigger is fully inserted the button on the end of the cable should be fully seated in the slotted counter bore. This should be what limits the amount of leg insertion.

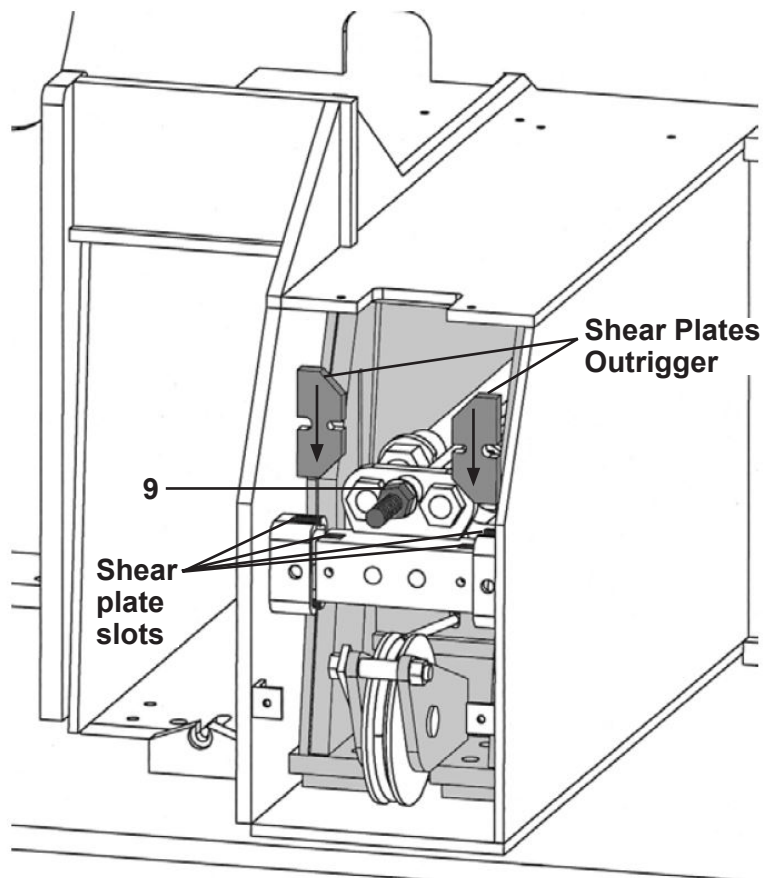


Loosen the extend/retract cable tension nut until the shear plate slots can be aligned and the shear plate can be inserted as shown. This can be accomplished from the far side of the outrigger leg.

Example: when installing the curbside outrigger, adjustments and shear plate installation will be done on the streetside. (refer to section 6 for explanation of streetside and curbside)



NOTE: DO NOT remove tension nut from threaded stud. Removal of this nut may require complete disassembly of the outrigger to replace.



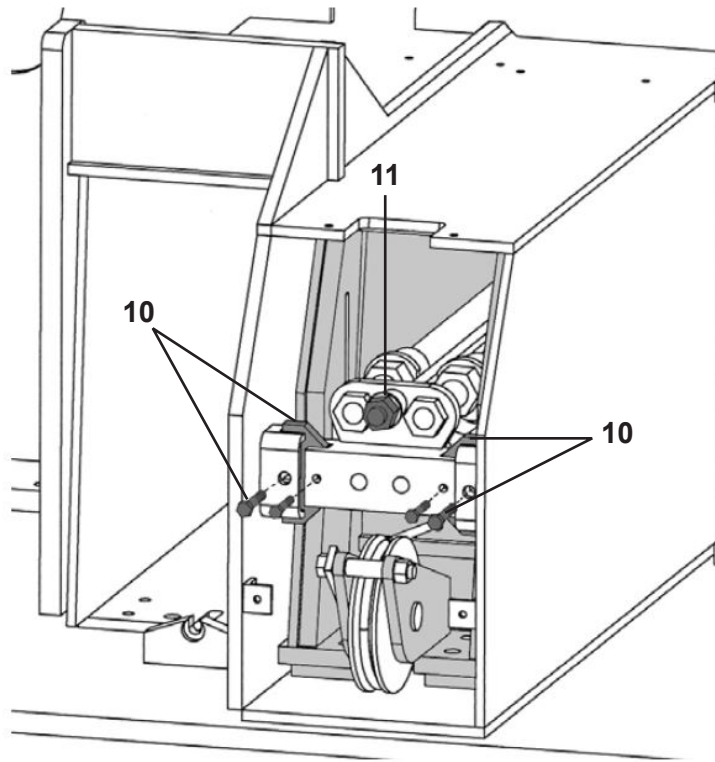
35-127 RS Installation

10. Insert outrigger shear plates and secure with proper nuts and bolts as described in the Main Outrigger Installation drawing.



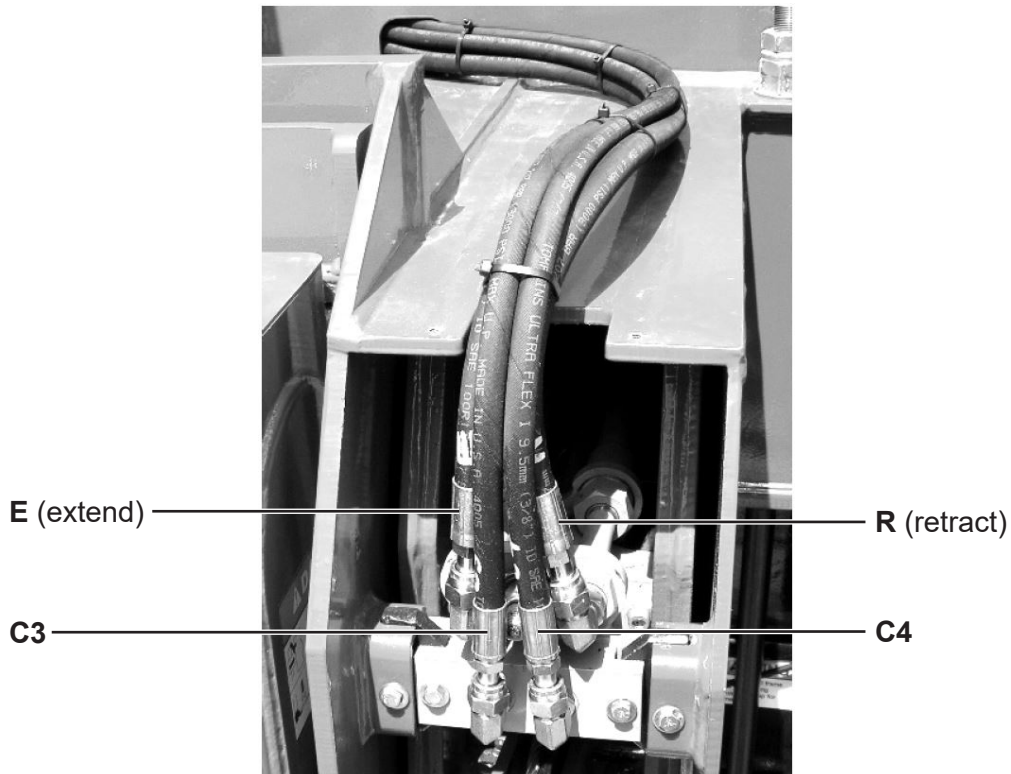
NOTE: *Outrigger shear plate may need to be shaped slightly with a grinder to fit easily in its slots.*

11. Tighten the extend/retract cable tension nut until all slack is removed from the cable and outrigger is held rigidly along its extend axis.
12. Repeat steps 1-11 for the remaining main outrigger.

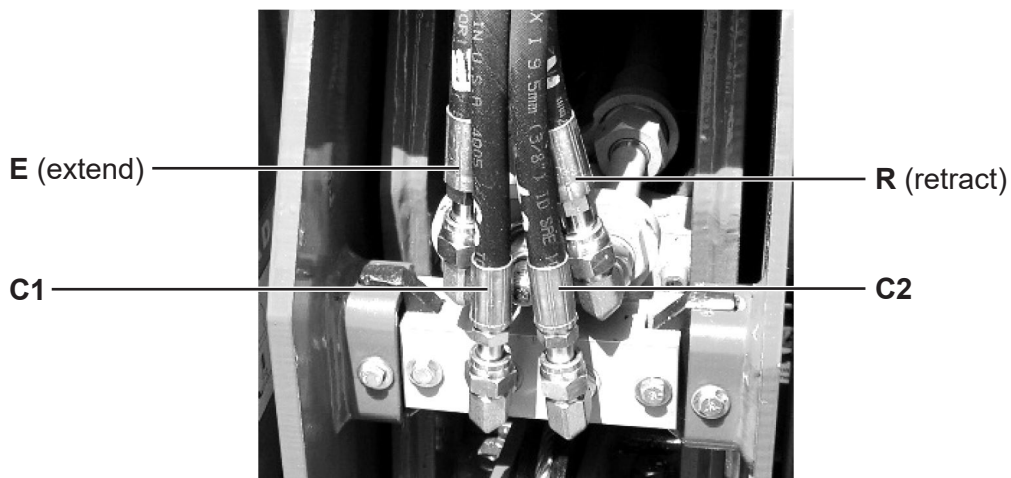


13. Uncap outrigger hoses on mainframe, they contain hydraulic fluid, be sure to catch this as they drain and protect the exposed ends. Note that the streetside hoses are marked with R (retract), E (extend), C1, and C2 and the curbside hoses are marked R, E, C3 and C4.
14. Route and connect outrigger hoses as shown below.

CURBSIDE VIEW

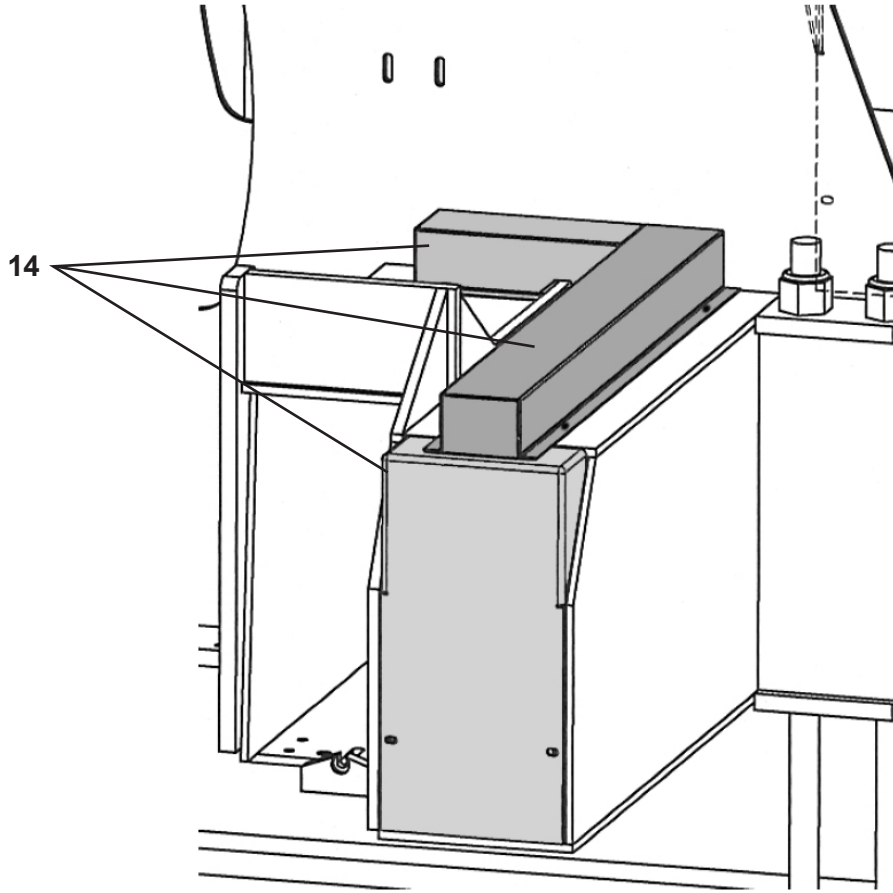


STREETSIDE VIEW



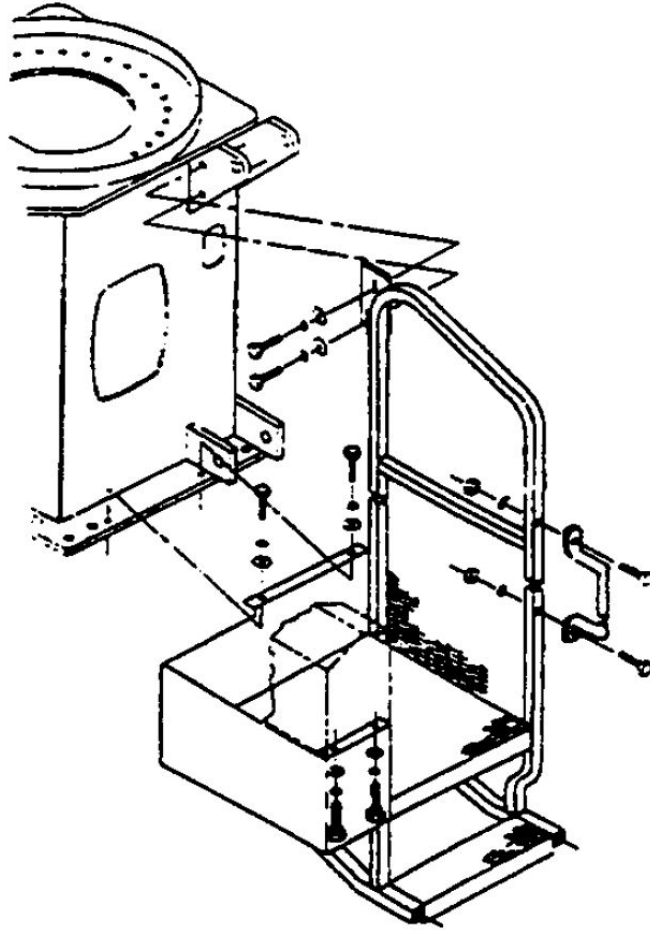
35-127 RS Installation

15. Install hose covers as shown.



Equipment Installation

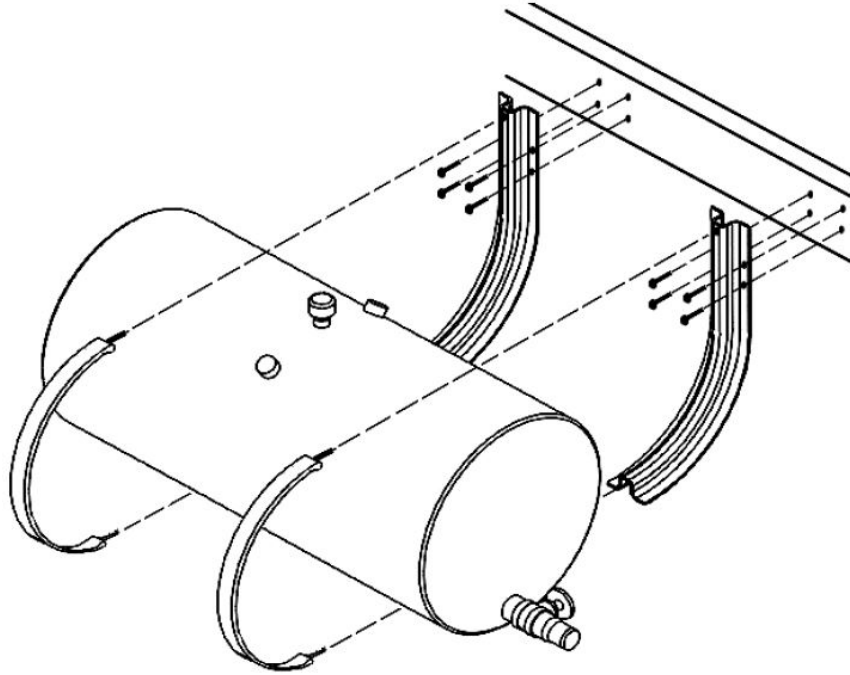
1. Install outrigger warning horn and lighting as shown in the Subframe Installation drawing.
2. Install operator's platform as shown in Platform Installation drawing.



3. Install filter head assembly to console as per the Hydraulic Reservoir Installation drawing.

35-127 RS Installation

4. Drill mounting holes and install Hydraulic Reservoir as per drawing making sure to provide clearance for the filter head assembly as well as rear tire clearance of 14 inches (355 mm) or greater.



5. Install hydraulic plumbing as shown in drawings and hydraulic schematics. This includes the pump supply and return lines, as well as the aux O/R hoses.
6. Install the flatbed by placing it on the subframe and aligning its mounting holes with those along the edge of the subframe.



Fill hydraulic tank with a premium grade antiwear hydraulic oil, check with your oil supplier for suggestions on ISO rating suitable for your climate (factory installed Load King boom trucks are filled with an ISO 32).



System capacity for a 70 gallon tank will be approximately 100 gallons. Capacity for a 90 gallon tank will be approximately 160 gallons. Initially, add only enough oil to fill the tank. Top off tank after running the machine.

Boom Installation

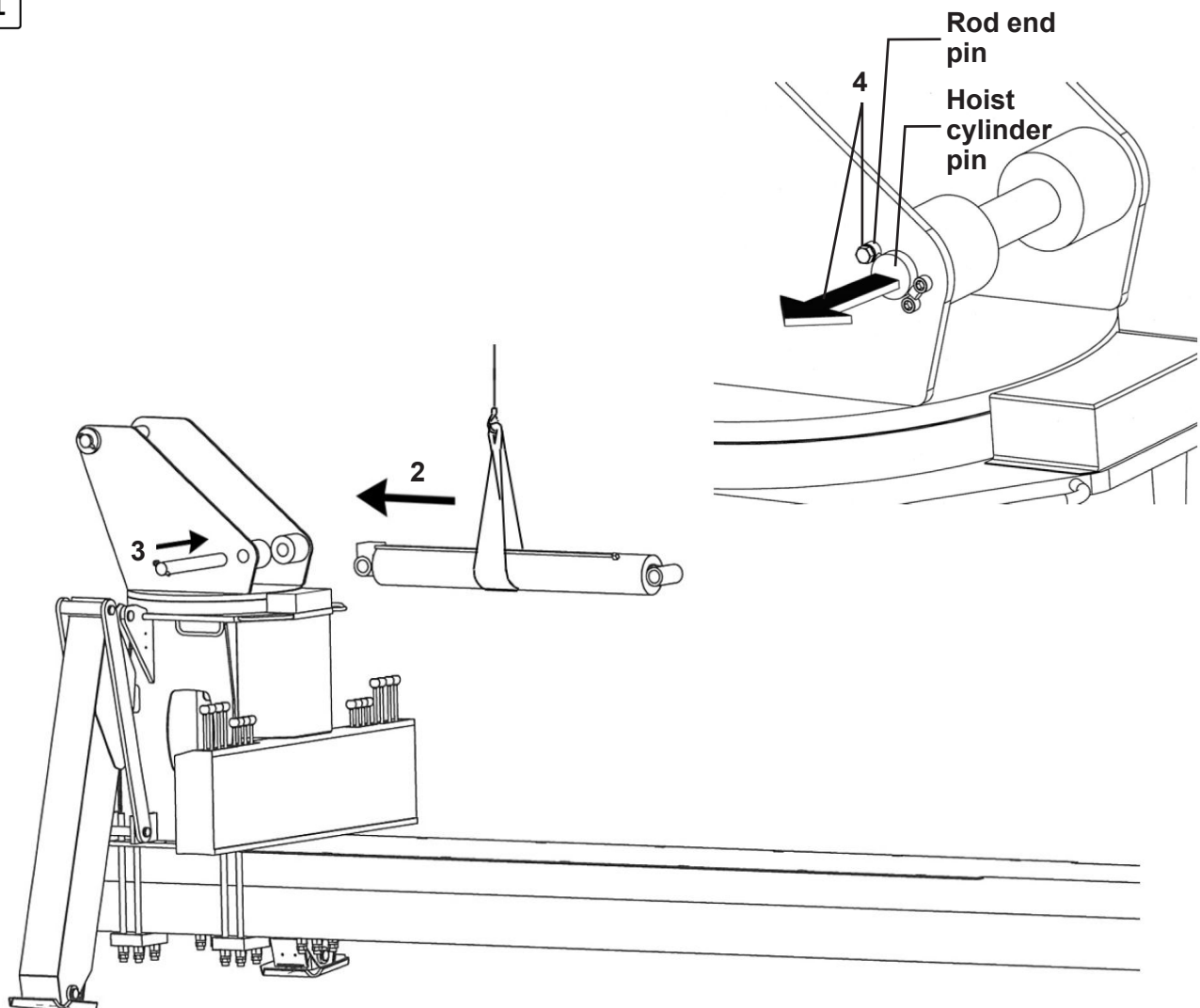


Make sure your lifting device is capable of handling the weight of the boom. This component is very heavy. (Approximately 10,000 lbs)

1. Remove boom hoist cylinder pin from turret by removing the bolt securing the rod end pin and with drawing the hoist cylinder pin.
2. Lift the hoist cylinder into place as shown. Lifting should be done by a single strap in either a sling or noose configuration. This allows alignment of the cylinder pin bores.
3. Insert the cylinder pin through the turret and hoist cylinder and fasten with rod end pin and bolt. Lower the hoist cylinder, using a wood block on the turret base to support it during boom installation.



NOTE: Truck cab and axles omitted for clarity.



35-127 RS Installation

4. Remove the boom pivot pin in the same manner as the hoist cylinder pin. Also remove the boom's hoist cylinder pin.

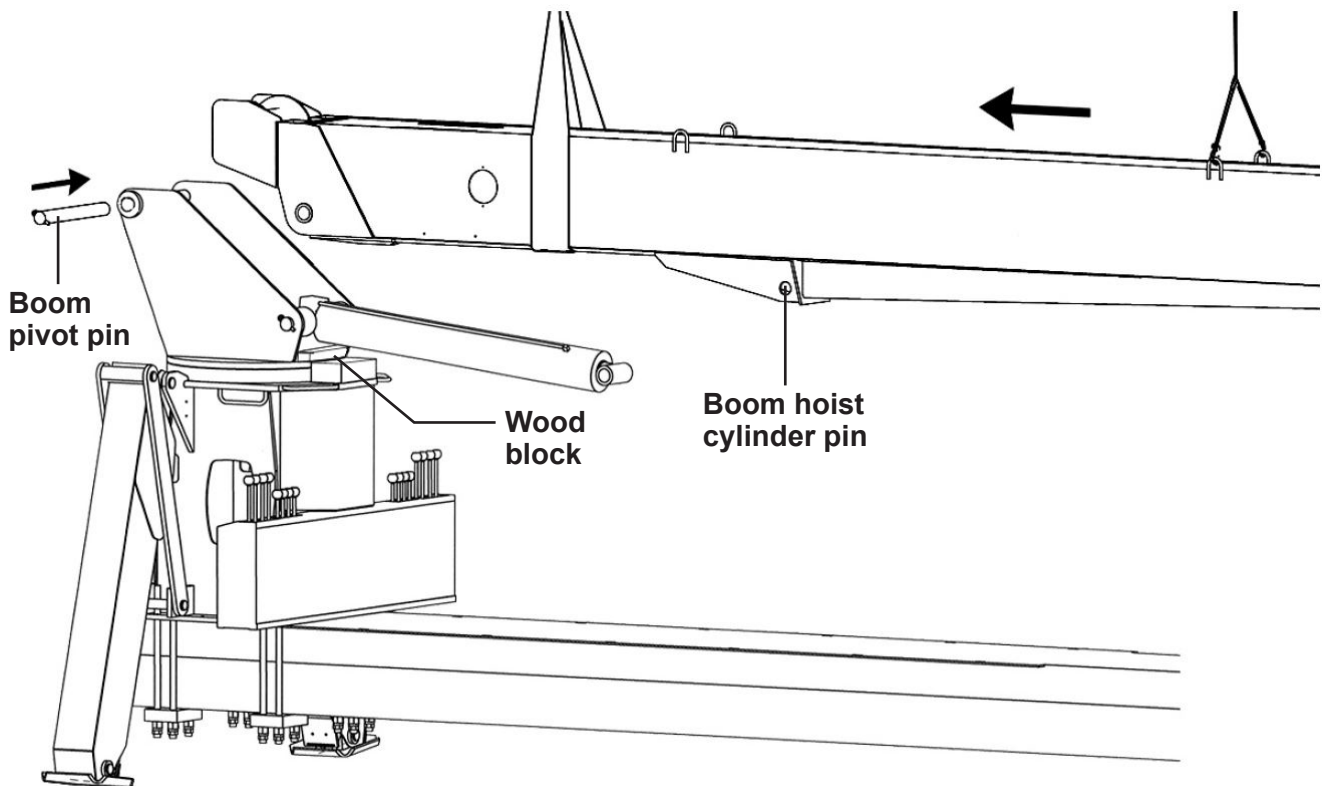


NOTE: Boom installation, ideally, should be done with two hoists; one at each lift point. This allows fine adjustment of boom pivot pin alignment. Before aligning the boom pin bores, check clearance fit of boom pin bore, some cleanup of the bushing may be necessary.

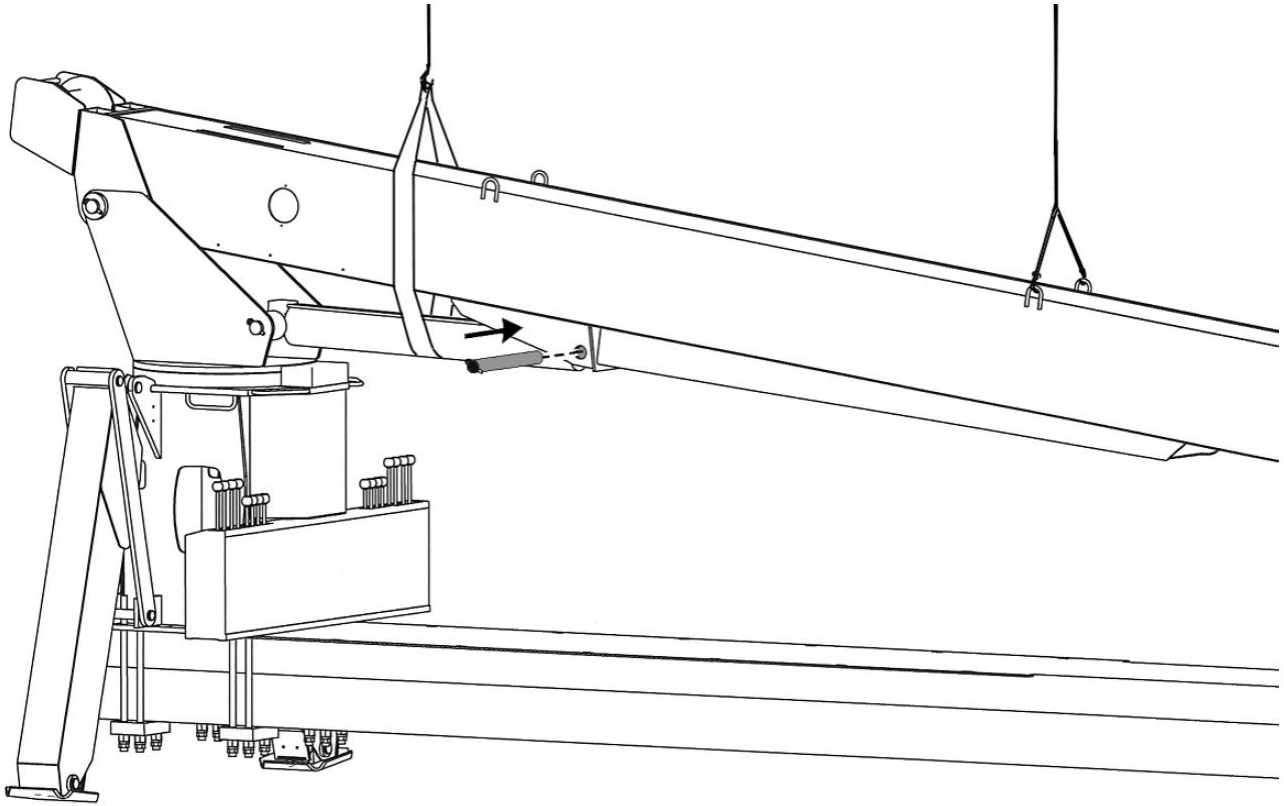
5. Using slings or straps, either hooked at the lift points or wrapped around the boom, move the boom into position to insert the boom pin. Once alignment is achieved, drive the pin through turret and boom bores, and secure with rod end pin and bolt.



NOTE: Truck cab and axles omitted for clarity.



6. Once the boom pivot pin is secured, release the lift strap closest to the turret. This will leave the boom supported by the boom pivot pin and the remaining hoist. Using a long lift strap (wrapped around the boom and under the hoist cylinder) will allow alignment of the hoist / boom pin bores. Once alignment is achieved, secure the hoist cylinder pin as before.



7. The hoses for the boom functions should be routed as in the Hydraulic Piping drawings.
8. Attach Anti-Two Block (ATB) System as per drawing.
9. Assemble boom rest assembly per Boom Rest Assembly drawing and insert into sockets at rear of subframe.

35-127 RS Installation

Electrical Wiring

1. Install Foot Throttles at each operator's console per drawing.
2. Complete crane electrical wiring as per Electrical Schematic.



When wiring the engine controls, it may be necessary to consult a dealer or certified technician to ensure the correct connections are properly made.



Foot throttles should be set so the hydraulic pump shaft turns a maximum of 2,300 RPM. This throttle setting should correspond to the previously calculated value. Refer to the PTO Selection Section for explanation on calculating Maximum Pump RPM.

PRE-START Inspection

It is best at this point to run a pre-start inspection to ensure the installation is complete.

Check the following:

1. Throttle linkage and cables must have:
 - A. Freedom of movement.
 - B. Proper securing.
 - C. No excess cable or sharp bends.
 - D. Clearance from exhaust system and moving parts.
2. PTO cable must have:
 - A. Freedom of movement.
 - B. Proper securing.
 - C. No excess cable or sharp bends.
 - D. Clearance from exhaust system and moving parts.
3. Pump and hydraulic lines must have:
 - A. Freedom of movement.
 - B. Clearance from exhaust system, drive lines, and/or moving linkage.
 - C. Hoses must have no sharp bends or kinks.
 - D. Pump hoses must be properly secured.



This unit is equipped with a suction line shutoff valve as standard equipment. Care should be taken to ensure that all fittings are tight and properly installed before adding oil to the reservoir and opening this valve.

4. Mounting bolts:
 - A. Rear outrigger tied own bolt s must be properly installed and properly torqued .
 - B. Mainframe tiedown bolts must be properly torqued.
5. External walk-around:
 - A. All clearance light s must be installed properly and working. Check brake lights and turn signals.
 - B. Proper warning placards (decals) must be installed; see the Placard Installation locations at the end of this manual.

35-127 RS Installation

6. Check oil levels:
 - A. Check oil reservoir. Suction line shutoff **MUST BE OPEN**.



Serious pump damage may occur if PTO is engaged with suction line gate valve closed. It is recommended to check that hydraulic oil has actually reached the pump by loosening one of the pressure lines on the pump.

- B. Check swing gearbox oil level.
 - C. Check winch gearbox oil level.
7. Miscellaneous checks:
 - A. Optional Equipment - Correctly installed and connected.
 - B. Flatbed - Securely bolted on. Rear mudflaps installed.
 - C. All appropriate Operator's Manuals *MUST* be in the truck cab.
 - D. Initial service hydraulic oil filters should be in truck cab.
(Refer to Operator's Manual for initial service interval on filters)

RCI / ATB Installation

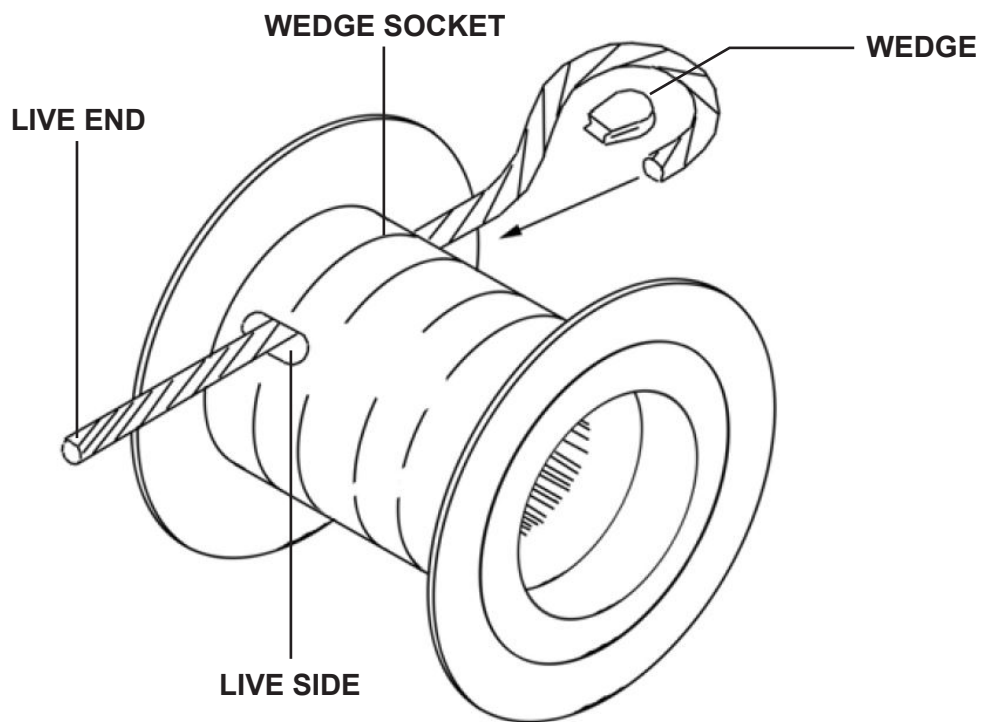
Refer to ATB / LMI Installation Drawing, For proper installation of RCI/LMI system.

Refer to the Greer Microguard 586 Operation/Setup Manual for explanations of operation and initial setup procedures.

35-127 RS Installation

Winch Cable Installation

1. Feed the cable through the boom tip and back along the top of the boom to the top side of the winch.
2. Push about two feet of cable through the winch wedge socket.
3. Bend the end of the cable around and stick it back into the hole forming a loop (the cable end should be fully inserted into the drum, but not protruding from the live side).
4. Install the wedge into the cable loop.
5. Pull on the live end of the cable until the wedge and cable have fully seated in the winch drum.





The first time the cable is spooled onto the drum it must be done under tension, and it must be guided into place so that it spools smoothly.

SUGGESTIONS FOR SPOOLING CABLE UNDER TENSION

PREFERRED METHOD

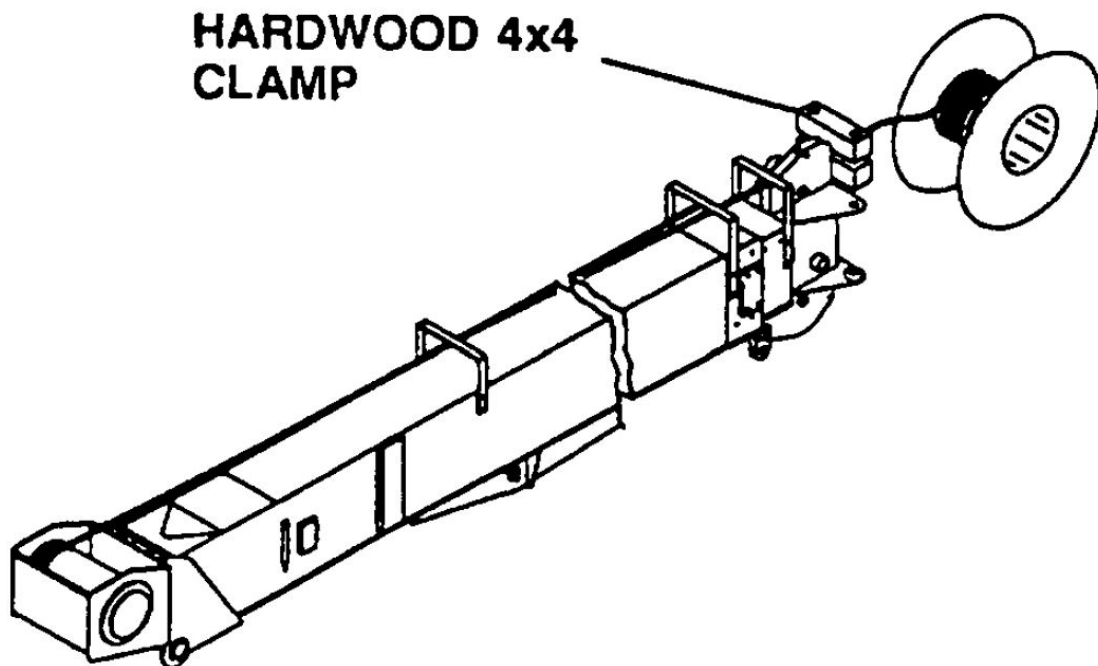
1. String the cable out straight from the boom and attach to a heavy object and drag across the ground to put tension on the cable while winding the winch drum.

OR

2. Clamp the cable between two (2) hardwood boards 4" x 4" x 2' (100 mm x 100 mm x 50 mm) at the boom tip. As the winch is turned, the board will be drawn up against the boom tip putting tension on the cable.



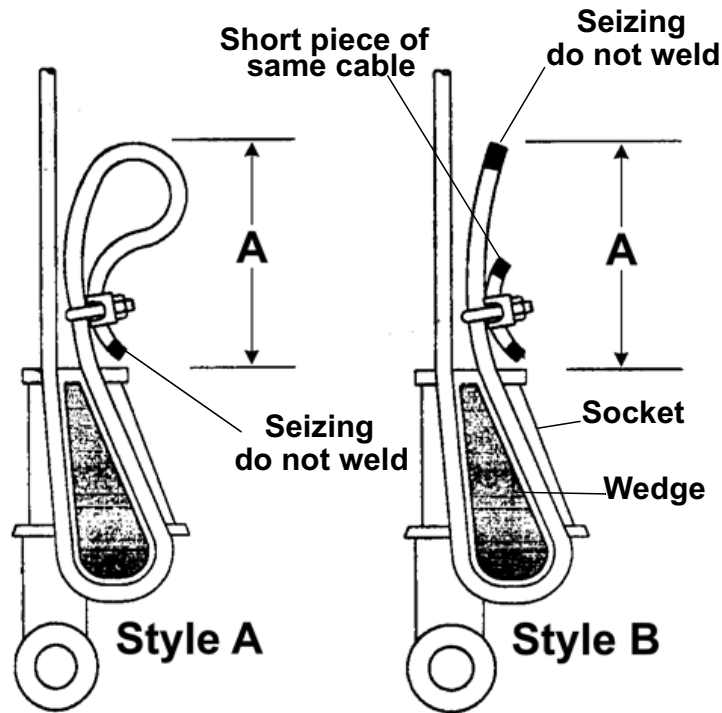
Physical harm could result if any part of your person or clothing should get caught in the spooling wire rope. Spool the cable on slowly. The first layer on the winch drum is critical. Pack the wraps tightly together with a mallet. Do not use a standard hammer, this could result in wire rope damage.



**35-127 RS
Installation**

WIRE ROPE	STANDARD	ROTATION RESISTANT
DIA.	5/8 in. (16 mm)	5/8 in. (16 mm)
LENGTH	350 FT (106680 mm)	350 FT (106680 mm)
DESIGNATION	6 x 25 IWRC EEIPS	19 x 19 Compacted Strand EEIPS
WORK LBS.	13,000 lb (5900 kg)	9100 lb (4130 kg)

STYLE A IS PREFERRED TERMINATION METHOD FOR ATTACHING WEDGE AND SOCKET



WIRE ROPE	STANDARD	ROTATION RESISTANT
DIA.	5/8 in. (16 mm)	5/8 in. (16 mm)
Dimension A	Greater than 3.75 inches (100 mm)	Greater than 12.5 inches (320 mm)

Front Bumper Stabilizer Installation



DO NOT attach the front bumper stabilizer to the bumper itself. The front bumper stabilizer jack MUST be attached to the truck frame rails. This will require adapter brackets either procured from Load King or manufactured by the installer.

Mounting Bracket Information

If Load King currently manufactures a mounting bracket appropriate for the truck you are mounting the crane on, these should have been specified during the order process and you will have received them with your installation kit.

However, due to the variety of truck designs, it may be necessary to design and construct custom bracketry to suit your vehicle.

Requirements of custom constructed bracketry:

- The mounting bolts for the jack require that there be approximately 1 3/4 inches (45 mm) of clearance between the bumper and the rear of your jack.
- Taking into account the clearance necessary for mounting hardware, the jack should be installed as closely as possible to the end of the frame rails.
- When fully retracted, the foot of the jack should have 12-15 inches (300-380 mm) of ground clearance.
- Clearance must also be provided for the truck hood to swing into the open position.
- Attaching the brackets to the frame rails should be done with no less than 4 GR8 5/8- 11 bolts per bracket - Please refer to the Front Bumper Stabilizer installation drawing for reference.

Stabilizer Installation

1. Remove the front bumper from the truck.
2. Trial fit the front bumper stabilizer brackets, checking for clearance of frame rails and bumper. Take into account the applicable requirements listed for custom constructed bracketry. These brackets should be directly mounted to the frame rails.
3. After proper positioning has been established, mount the bracketry for the front bumper stabilizer to the frame rails.
4. Trial fit the front bumper, it may require significant trimming to clear the new bracketry.
5. Mount the front bumper.
6. Mount the front bumper stabilizer.



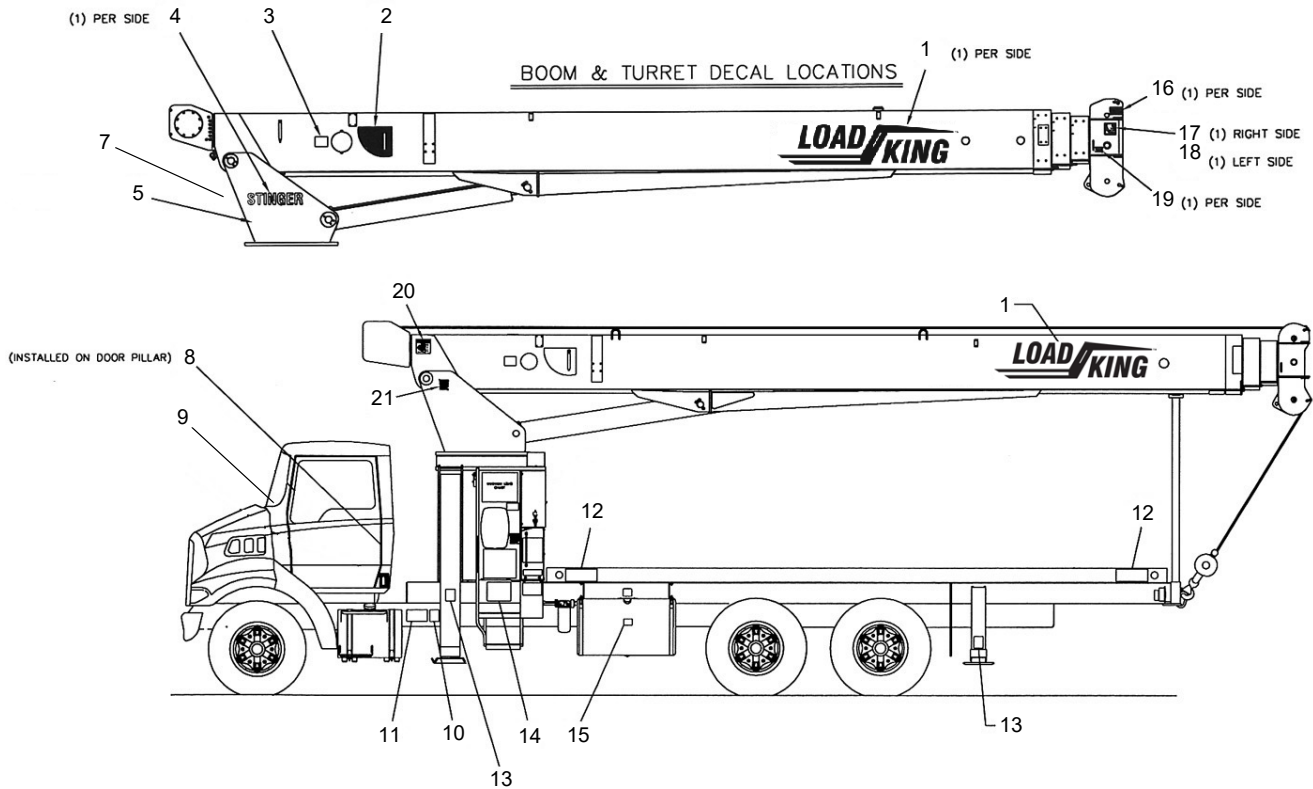
When routing hoses and wire harnesses:

- A. Allow slack for any movement required when the stabilizer is pivoted.
- B. Avoiding any moving suspension components.
- C. When routing across an exposed edge of metal, some type of edge protection should be used to protect hoses and harnesses.

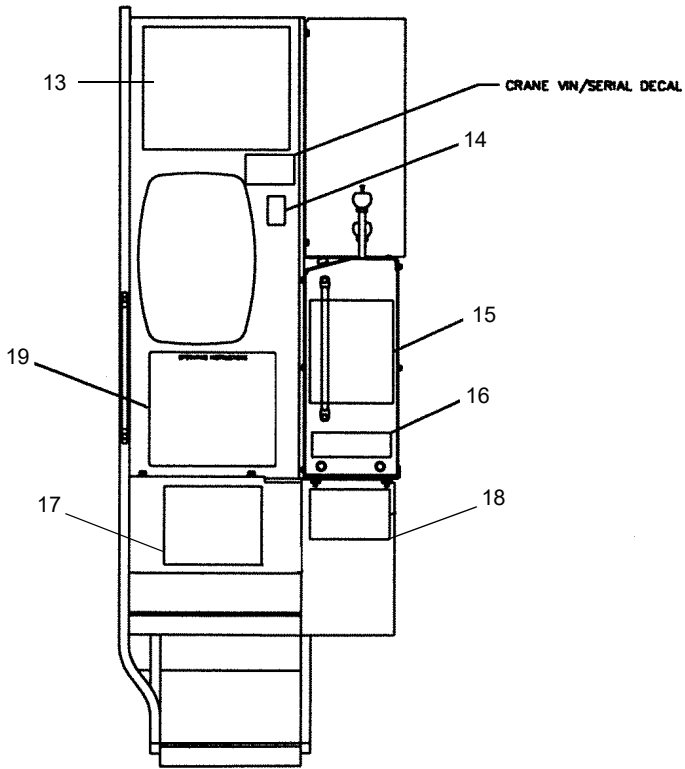
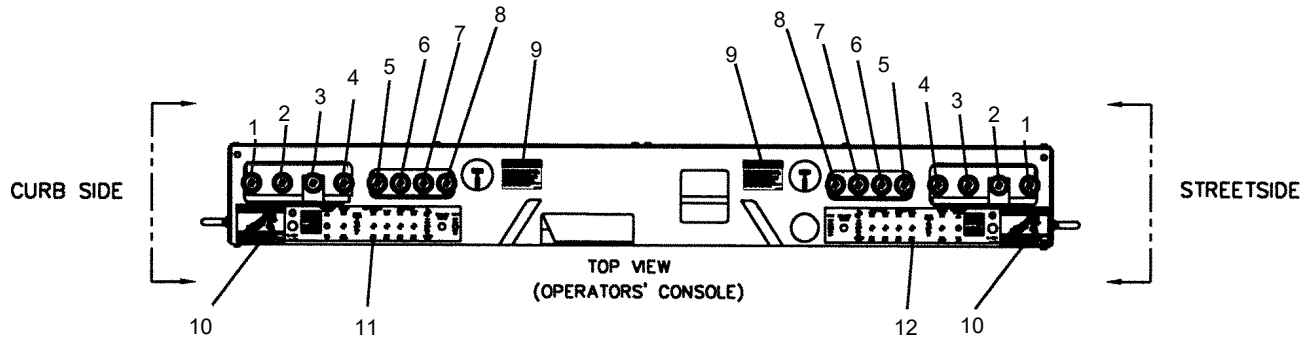
7. Route and connect front bumper stabilizer harness and hoses per Front Bumper O/R Assembly and Electrical Schematics.

35-127 RS Installation

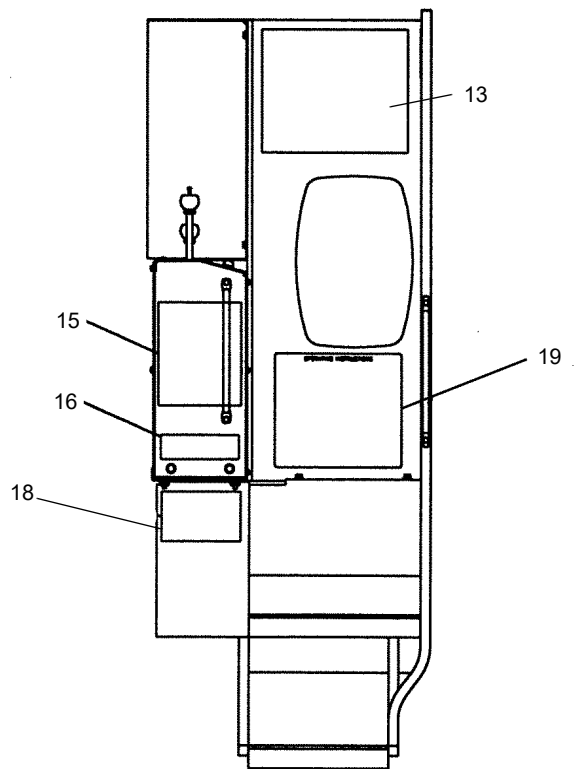
Placard Installation



REF	PART NO.	DESCRIPTION	QTY
1	653-00396	12" Load King Logo Decal	2
2	653-00389	R.H. Boom Angle Indicator	1
3	653-00397	Warning-Finger Pinch Point Decal	2
4	653-00393-2	Load King Stinger Decal	2
5	653-00392	Model Number Decal	2
7	653-00398	Warning-Finger/Hand Pinch Point	1
8	654-00704	Final Vehicle Certification, Decal	1
9	652-00059	CAUTION-PTO Decal	1
10	651-00185	Placard, DANGER Riding Loadline	2
11	651-00195	Placard, DANGER Drive Line	2
12	651-00184	Placard, Electrocution Hazard	2
13	651-00186	Decal, Crush DANGER	4
14	652-00525	Placard, Master Lube Chart	1
15	652-00073	Hydraulic Oil Only, Decal	1
16	651-00203	Decal, Danger Remove SFJ	2
17	651-00367	R.H. Boom Angle Indicator	1
18	651-00366	L.H. Boom Angle Indicator	1
19	651-00196	Lanyard Anchor Point	2
20	651-00356	Pinch Point Decal	2
21	651-00343	Placard, Inspection Danger	2



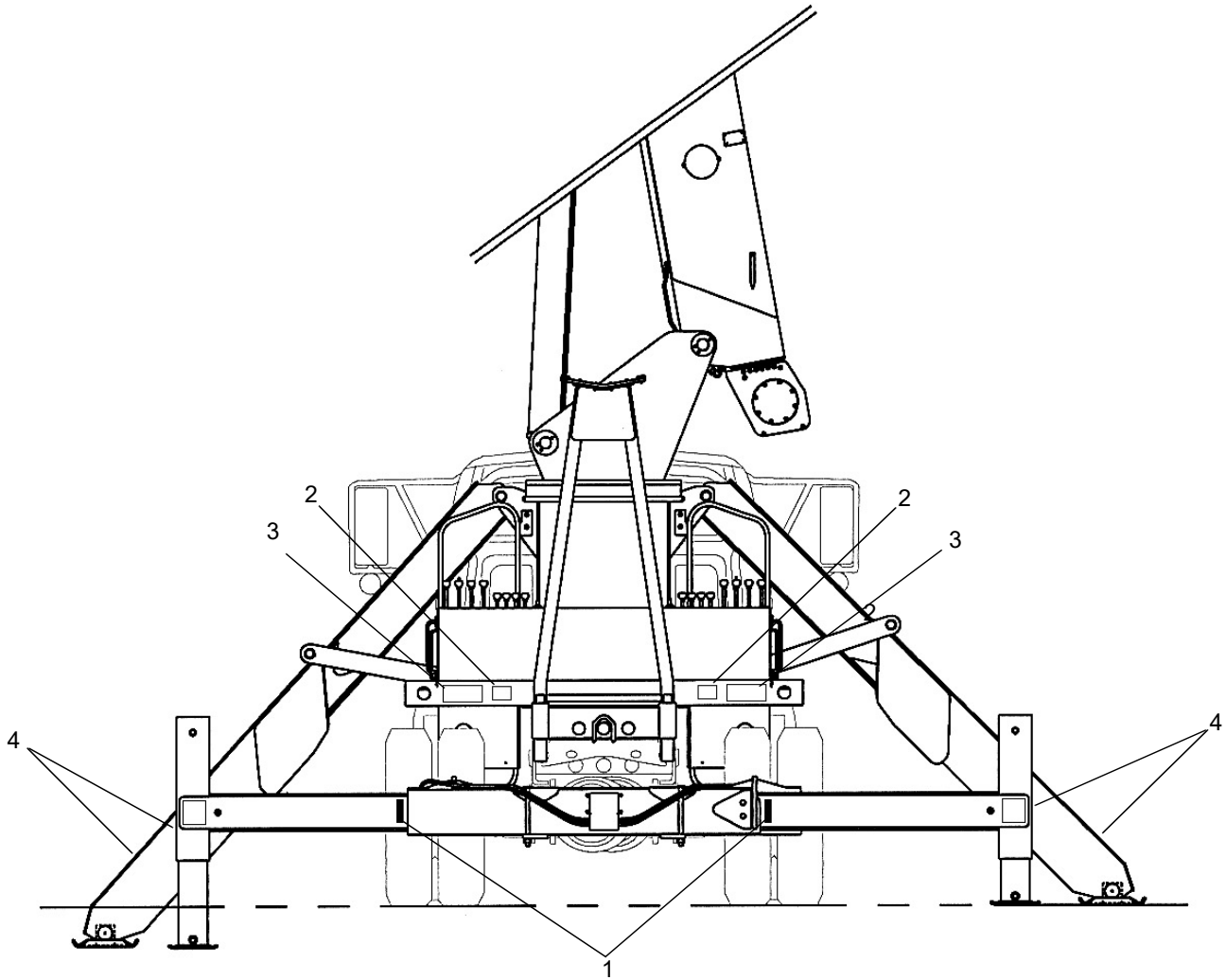
STREETSIDE END VIEW OF
CONSOLE/PEDESTAL



CURB SIDE END VIEW OF
CONSOLE/PEDESTAL

35-127 RS Installation

REF	PART NO.	DESCRIPTION	QTY
1	650-00330	Control Boom Decal	2
2	650-00654	2-Spd Winch Control Decal	2
3	650-00411	Control Boom Telescope	2
4	650-00329	Control Swing Decal	2
5	650-00434	Control Rear S.S. O/R Decal	2
7	650-00433	Control Rear C.S. O/R Decal	2
8	650-00432	Control Front S.S. O/R Decal	2
9	650-00431	Control Front C.S. O/R Decal	2
10	651-00270	DANGER, 2 Blocking, Decal	2
11	651-00377	Switch Controls Decal, Curb Side	1
12	651-00378	Switch Controls Decal, Street Side	1
13	652-00111	Operating Instructions, Decal	2
14	653-00229	Unit Stability Decal	1
15	652-00114	Crane Hand signals, Decal	2
16	651-00253	WARNING ALL, Decal	2
17	652-00525	Placard, Master Lube Chart	1
18	651-00184	Placard, Electrocution Hazard	2
19		Maximum Load Chart	2



REF	PART NO.	DESCRIPTION	QTY
1	659-00216	Yellow Outrigger Strip	12
2	651-00184	Electrocution Hazard Decal	6
3	651-00185	Danger Riding Decal	2
4	651-00186	Outrigger Crushing Decal	4

35-127 RS Installation

Lift Capacity Chart Check

Before making the first pick, the crane must be started with full equipment installed. During this startup, The Greer RCI box will display the crane model and the Lift Capacity Chart number that it is set to match. The displayed model and lift capacity chart numbers must match the lift capacity chart affixed to the mainframe of the crane.

If these numbers do not match, contact Load King Service before proceeding with the stability test.

Stability Test Preparation

Each fully assembled crane requires testing to ensure stability during lifts.

SETUP:

Testing shall be performed using the proper testing parameters for your machine located on the “Stability Test Parameters” page. Locate your model number on the chart and note:

The Test Weight, Boom Length and Load Radius.

The weight used must be within 1% of the values given. It is the responsibility of the testing personnel to obtain and verify the weight used during stability testing.

Stability testing should be performed on a solid, level surface, with the crane in a level position. Outriggers should be extended and supporting the weight of the crane. Any boom accessories should be removed, including jib.



If this crane is installed on a truck chassis with less than the minimum specifications identified in section 2, it becomes the installer’s responsibility to conduct a full stability test in accordance with SAE J-765 (current) and to use the results of that test to validate that the crane can safely handle the capacities listed in the lift capacity chart supplied with this crane. In this situation it is also the installer’s responsibility to verify that the truck has adequate structural and other capabilities to safely handle all the loads imposed on it by this crane.



It is of the utmost importance that the test parameters SPECIFIC to your machine be selected on the “Stability Test Parameters” page.



If, at any point during the testing procedure, the weight should contact the ground, and can not be lifted with a WINCH UP action, cease the test. Your crane has failed the stability test. Contact Load King service.



Refer to section 3 of the Operator’s Manual for proper use of load charts and operating procedures of this crane.



The RCI will cut out the crane controls during overload conditions. When this occurs, the RCI must be overridden by using the CANCEL button on the RCI display. This must be done to complete the test.



Any time an extend action is performed, a corresponding winch down action will be needed to avoid a two-block condition. This is especially crucial during the Stability Test as the ATB system will be disabled by the use of the Cancel button. Damage to the boom tip and load line is possible in this situation.

35-127 RS Installation



It is of the utmost importance that the test parameters specific to your machine be selected from this table.



Actual test values of the Stability Verification Load and the Load Radius must be within 1% of the values given on this table.

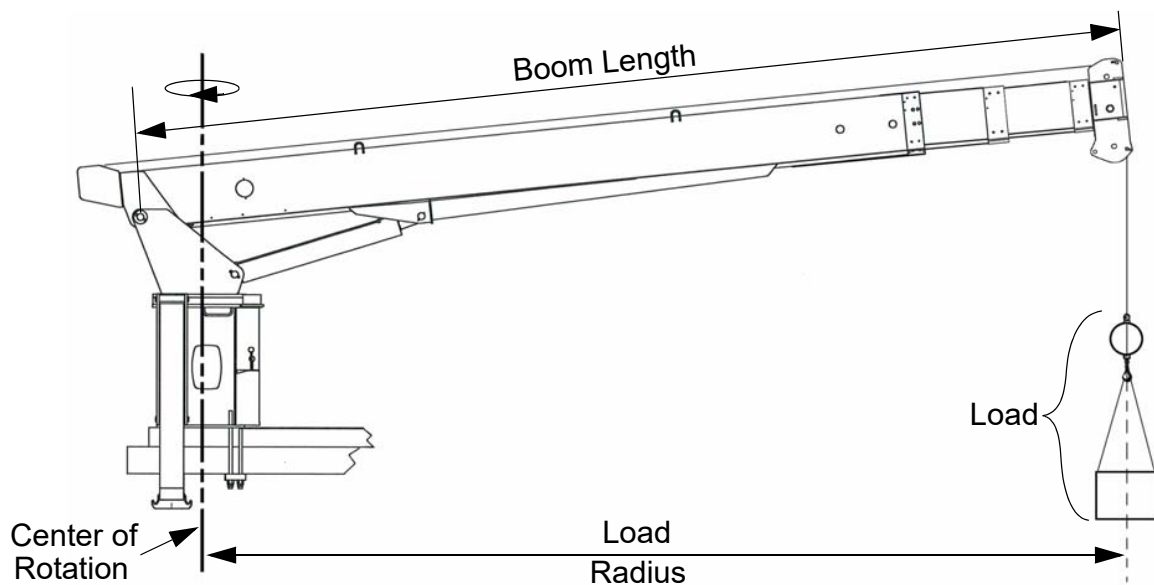
MODEL	BOOM LENGTH	*LOAD RADIUS	**LOAD FOR STABILITY VERIFICATION
BT2047	47 ft (14.32 m)	45 ft (13.71 m)	1800 lbs (816 kg)
BT2057	57 ft (17.37 m)	50 ft (15.24 m)	1525 lbs (692 kg)
BT2857	57 ft (17.37 m)	50 ft (15.24 m)	1794 lbs (814 kg)
BT3063	63 ft (19.2 m)	60 ft (18.29 m)	1706 lbs (774 kg)
BT3470	70 ft (21.34 m)	65 ft (19.81 m)	2000 lbs (907 kg)
BT4792	92 ft (28.04 m)	90 ft (27.43 m)	647 lbs (293 kg)
BT7077	77 ft (23.47 m)	70 ft (21.34 m)	3882 lbs (1761 kg)
35-127 RS	100 ft (30.48 m)	95 ft (28.96 m)	941 lbs (427 kg)
RS70100	100 ft (30.48 m)	95 ft (28.96 m)	706 lbs (320 kg)

654-00756 rev --

*for accuracy, this should be physically measured from the center of rotation to the load line.

**this weight includes everything attached to the load line during the lift (lifted load, overhaul ball, slings, chains, etc).

Fuel tank should be between 1/4 and 1/2 full during testing procedures.



Stability Test Criteria



For a successful completion of the stability test, three outriggers must maintain ground contact while the machine completes all of the applicable steps contained on the procedure page.



NOTE: An outrigger momentarily leaving the ground (in response to a sudden or unsteady movement), followed by an immediate return to the ground, is considered remaining on the ground.



Load Height and Load Radius should be monitored at all times during the testing procedure.

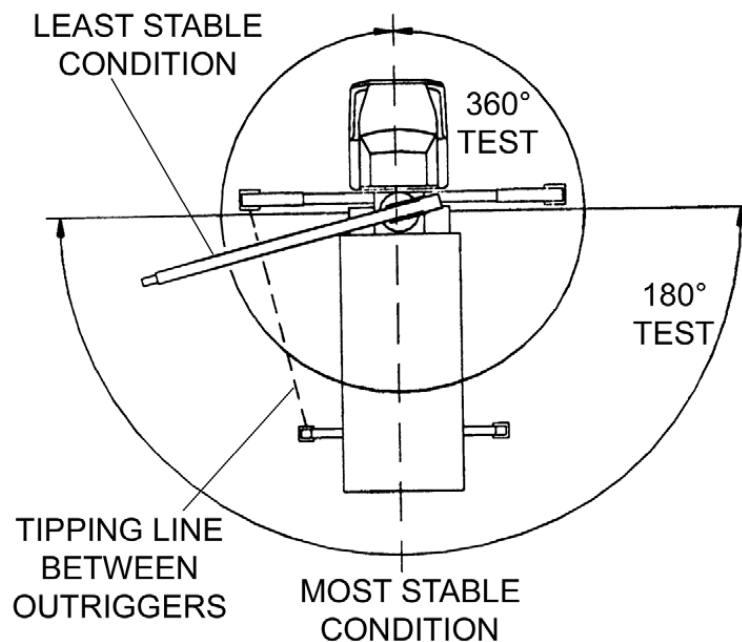


NOTE: If the **distance of the load from the ground** should exceed six inches or the load should contact the ground, use a **winch** up or down action to maintain the load height.



NOTE: If the **load radius** should move outside of the given parameters during the test procedure, use a **boom** up or down movement to maintain load radius.

Record the actual testing parameters used during this testing procedure in section 4.



35-127 RS Installation

Stability Test Procedure



Continuous attention must be paid to both Load Radius and Load Ground Clearance during these procedures.

PROCEDURE

1. Locate your machine in the table on the Stability Test Parameters page, the values listed to the right of your machine model number must be used during the testing procedure.
2. With the boom directly over the rear of the truck, set a boom inclination angle of 35° or greater.
3. Attach the hook block to the Stability Verification Load and lift to a height of six inches.
4. Slowly extend the boom to the test boom length.
5. When test boom length is reached, the boom angle should be slowly decreased while monitoring the load radius, until the load radius matches that specified for your machine.

Once this first lift has been successfully completed, you are ready to move onto the swing portion of the test, please use the instructions that most closely represent your machine.

180° OPERATION

A machine equipped in such a manner that it can only be used for 180° operation per its lift capacity chart (NOT equipped with a front bumper stabilizer) will need a 180° swing test.

180° TEST

6. Start with the boom directly over the rear of the truck in its most stable condition.
7. With Stability Verification Load set, and while monitoring the load radius, slowly swing the boom until it is perpendicular (90°) to the centerline of the truck chassis.
8. Proceed to slowly swing the boom 180° over the rear of the truck, while monitoring the load radius and the height of the Stability Verification Load.

360° OPERATION

A machine equipped for 360° operation per its lift capacity chart (equipped with a front bumper stabilizer) will need a 360° swing test.



NOTE: *If the machine is not equipped for continuous rotation, the swing stop must be kept in mind. This will stop the swinging action of the boom at 370°.*

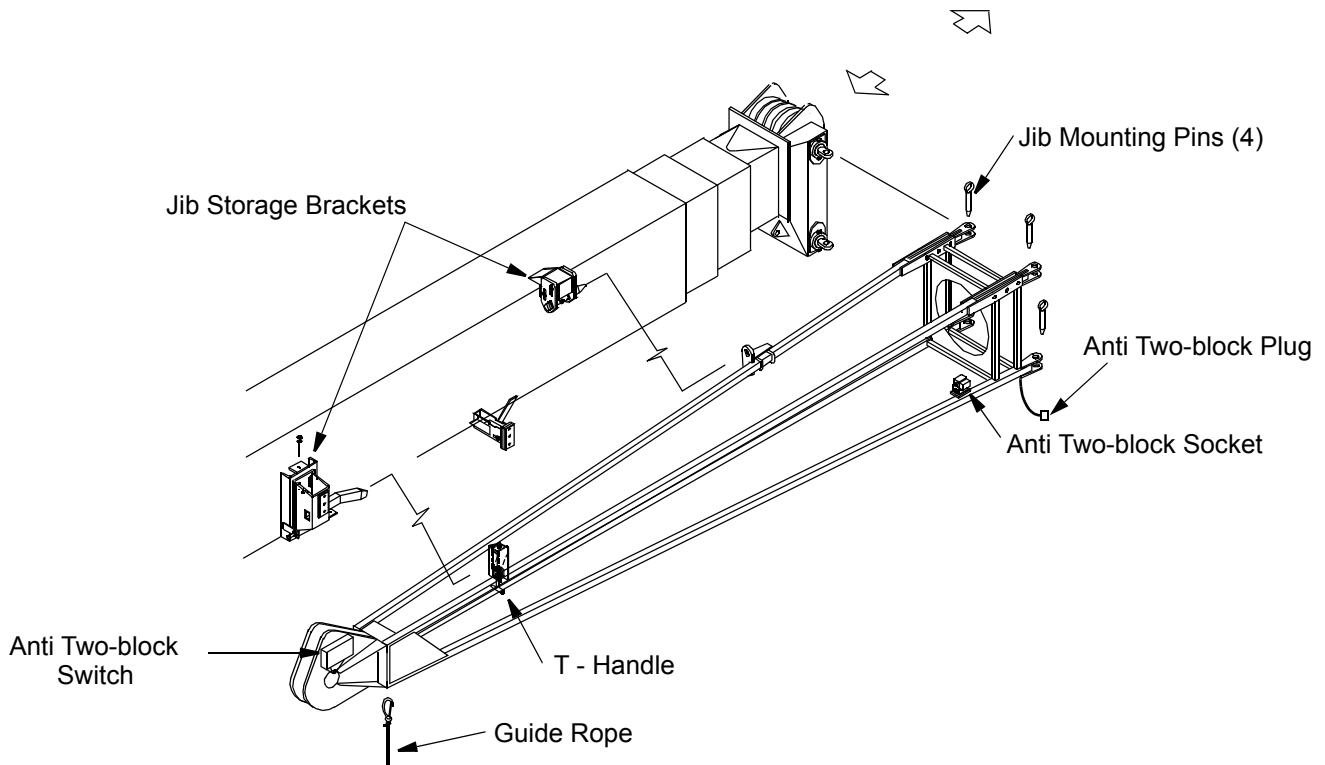
360° TEST

6. Start with the boom directly over the rear of the truck in its most stable condition.
7. With Stability Verification Load set, and while monitoring the load radius, slowly swing the boom until it is over the front of the truck and parallel to the centerline of the truck.
8. Reversing direction, slowly swing the boom 360° over the rear of the truck, while monitoring the load radius and the height of the test weight.

Record the actual testing parameters used during this testing procedure in section 4.

If you experience any difficulties while performing this test, contact Load King Service at 855-548-2336

Erecting The Jib



1. Extend and set the outriggers.
2. Rotate the upper structure to the "over front" position.
3. Retract the boom completely.
4. Boom down to minimum boom angle to allow ease of installation of the jib pins. If necessary retract the front outrigger jacks until the boom head can be reached from ground level.
5. Install the upper and lower jib mounting pins in the right side of the boom head.
6. Attach a guide rope to the eye on the bottom tip of the jib.
7. Extend outrigger if retracted, to bring crane back to level. Raise the boom to horizontal.
8. Pull down and rotate the T - handle to unlock the jib from the storage bracket.
9. With the engine at idle, slowly extend the boom 2-3 feet (.6-1 m). As the jib clears the storage brackets, the jib will swing out approximately 45°.

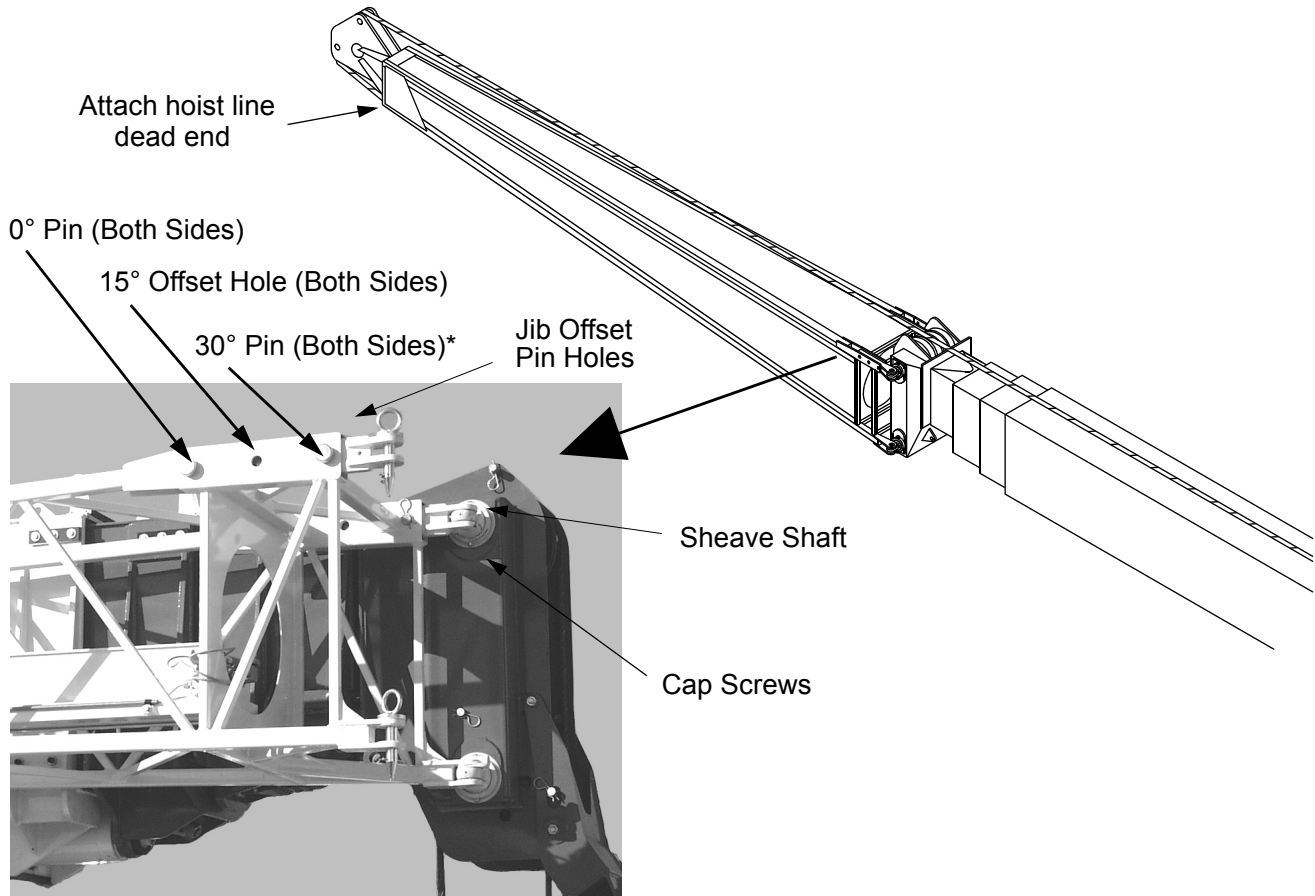
35-127 RS Installation



Booming down too quickly can result in damage to jib.

10. With the engine at idle, slowly boom down to minimum boom angle while another operator uses the guide rope to control the speed of the jib rotation.
The jib will swing around until the left side mounting holes line up.
11. If cable from main boom is to be used on jib, remove cable from boom head load sheaves and swing over top left jib cord before pinning jib to boom. Install the left upper and lower jib mounting pins.
12. Remove the guide rope.
13. Disconnect the anti two-block plug from the jib anti two-block socket and connect it to the socket on the boom head. Move the dummy plug from the boom head socket to the anti two-block socket on the jib.
14. Reeve the hoist line over the jib sheave.
15. Test the anti two-block system by lifting the anti two-block weight. The light and audible alarms should be actuated in the cab and the boom down, boom extend, and winch up controls should disconnect.

Changing the Offset of Jib



INCREASING OFFSET

1. Retract the boom and set the outriggers.
2. Boom down to minimum boom angle.
3. Loosen the two (2) cap screws on the left side of the upper and lower sheave shafts. This will require a 3/4 inch hex wrench.
4. Reeve the hoist line over the top center sheave on the boom head, around the jib sheave, and attach to the eye on the bottom of the jib tip.
5. Winch up to take the slack out of the hoist line and to take the weight of the jib off of the jib offset pins.

35-127 RS Installation



NOTE: *To prevent damaging the jib, do not winch up any more than is necessary to loosen the jib offset pins.*

6. Remove the jib offset pins from the 0° offset hole and place in the 15° hole or if you are using 30° offset then place pins in tool box.



*** Never Remove Either 30° Pin**

7. With the engine at idle, slowly winch down to pay out hoist cable. This will lower the tip of the jib until the jib comes in contact with the jib offset pins.



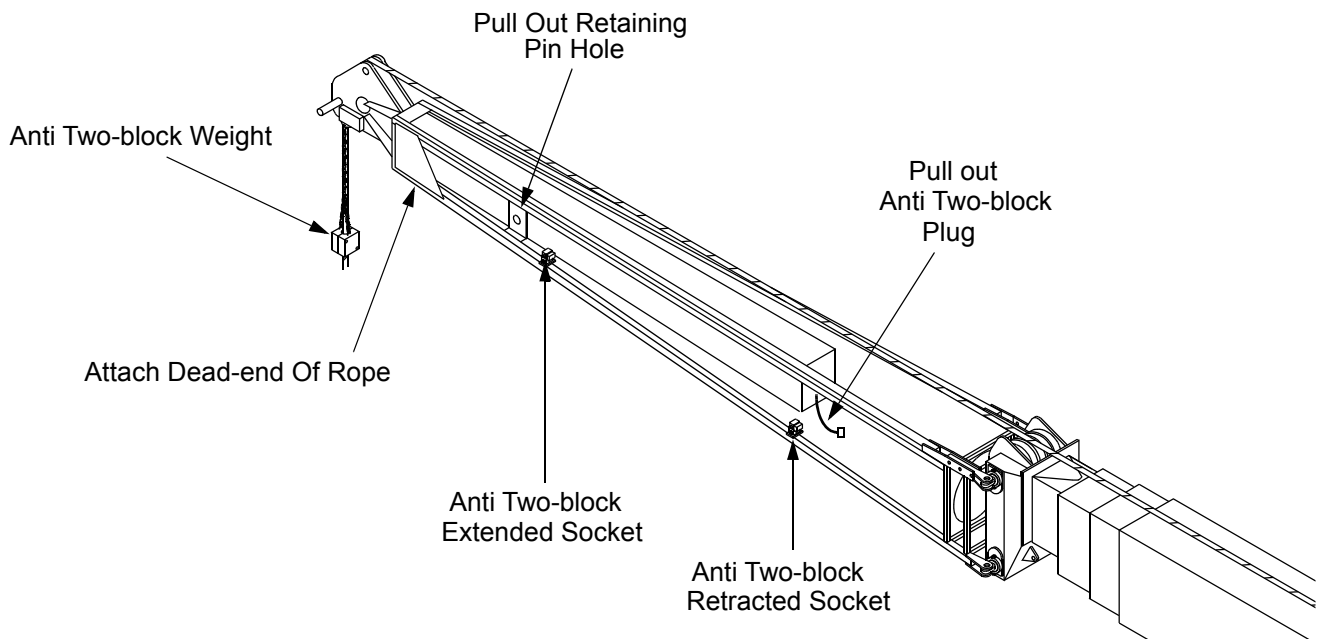
NOTE: *While lowering the tip of the jib, it may be necessary to raise the boom to prevent the tip of the jib from touching the ground.*

8. Remove the hoist line from the tip of the jib and reeve the hoist line as needed.

DECREASING OFFSET

1. Reverse above procedure to return jib to 0° offset position.

Extending and Retracting the Jib Pullout Section



EXTENDING THE PULLOUT SECTION



NOTE: *The jib must be erected before extending the pullout section. Do not attempt to extend the pullout section while the jib is stowed.*

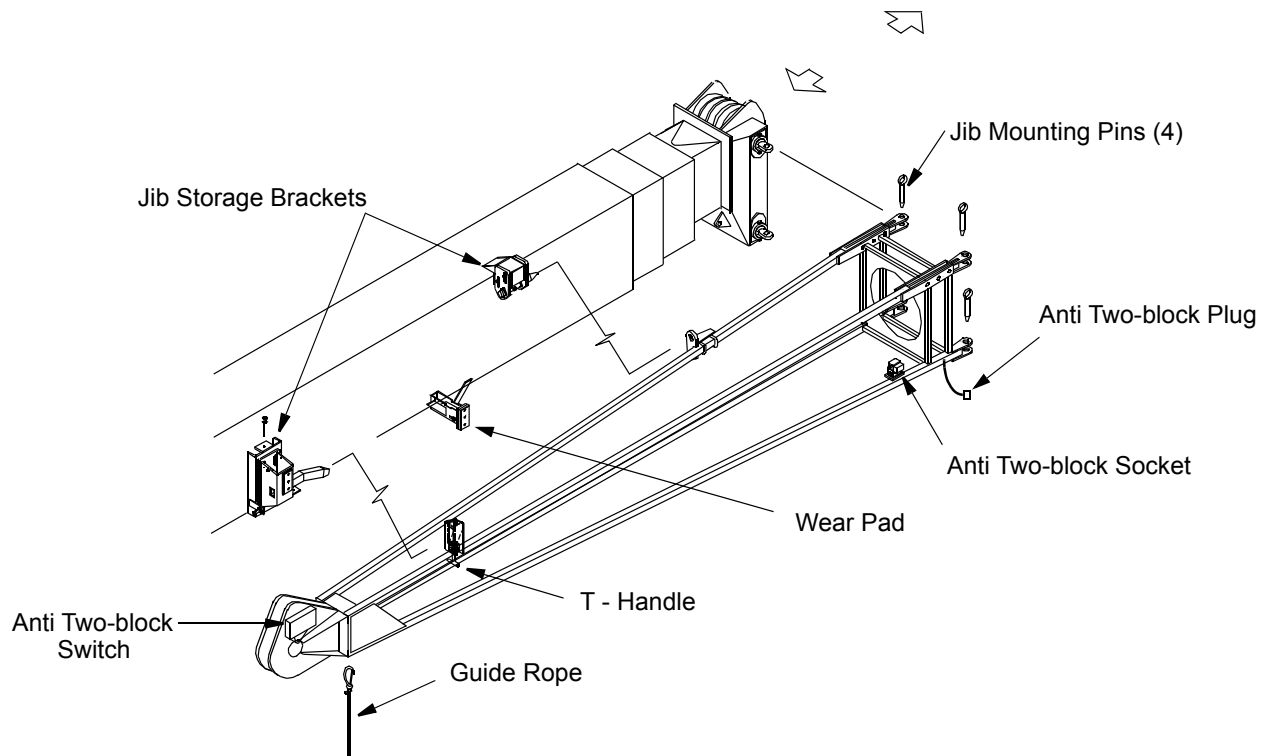
1. Retract the boom completely and boom down to minimum boom angle.
2. Attach the dead end of the wire rope to the eye on the bottom of the jib tip. This is done to prevent the pullout from extending uncontrollably.
3. Unplug the pull out anti two-block plug from the anti two-block **Retracted** socket. Move the dummy plug from the extended socket to the retracted socket.
4. Remove pullout retaining pin from the retaining pin hole.
5. Pay out cable and extend the pullout until the retaining pin holes line up. Install retaining pin.
6. Plug the anti two-block plug into the anti two-block **Extended** socket.
7. Test the anti two-block system by lifting the anti two block weight. The light and audible alarms should be actuated in the cab and the boom down, boom extend, and winch up controls should disconnect.

35-127 RS Installation

RETRACTING THE PULLOUT SECTION

1. Retract the boom completely and boom down to minimum boom angle.
2. Unplug the anti two-block plug from the anti twoblock **Extended** socket. Move the dummy plug from the retracted socket to the extended socket.
3. Attach the dead end of the wire rope to the eye on the bottom of the jib tip.
4. Remove pullout retaining pin from the erected retaining pin hole.
5. Winch up slowly to retract the pullout until the retracted retaining pin holes line up and install retaining pin.
6. Plug the anti two-block plug into the anti two-block **Retracted** socket.
7. Test the anti two-block system by lifting the anti twoblock weight. The light and audible alarms should be actuated in the cab and the boom down, boom extend, and winch up controls should disconnect.

Stowing the Jib

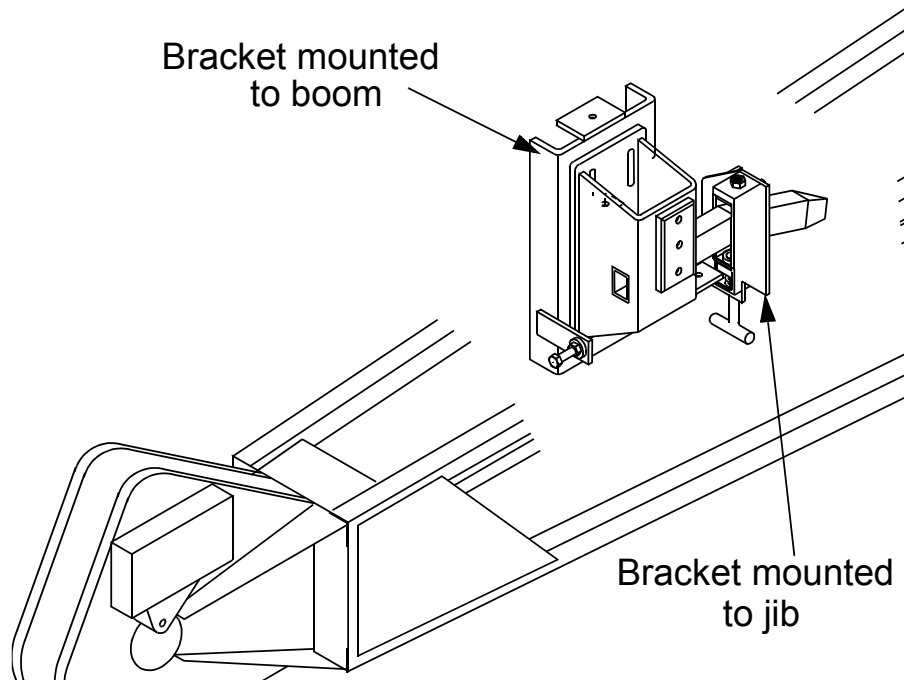


Before erecting or stowing the jib, ensure that no personnel or obstacles are in the swing path of the jib.

1. Extend and set the outriggers.
2. Rotate the upper structure to the “over rear” position.
3. Make sure the stinger is in the stowed position and the jib offset is at 0° offset.
4. Boom down to minimum boom angle.
5. Remove the hoist line from jib sheave and lay to left side.
6. Disconnect the anti two-block plug from the boom head and plug it in to the jib anti two-block socket. Move the dummy plug from the jib anti two-block socket to the boom head anti two-block socket.
7. Extend the boom to 2-3 feet (.6-1 m).
8. Attach the guide rope to the eye on the bottom tip of the jib.
9. Remove the left upper and lower jib mounting pins. With guide rope, pull left jib ears out of left boom head ears.
10. With the engine at idle, slowly boom up while a second operator holds the guide rope to control the rotating speed of the jib.

35-127 RS Installation

11. Boom up to approximately 30°. Allow the jib to swing around until the jib contacts the wear pad on the boom. As the jib gets close to the side of the boom, make sure the jib does not strike the side of the boom.
12. With the engine at idle, slowly retract the boom completely. The jib will engage the jib storage brackets as the boom is retracted.
13. Remove the guide rope from the tip of the jib.



14. As the boom is retracted, verify that the stowage bracket mounted to the jib is engaging properly with the stowage bracket mounted to the boom.
15. Rotate and release the T-handle to lock the jib to the storage brackets.
16. Remove the right upper and lower jib mounting pins.
17. Test the anti two-block system at the boom head by lifting the anti two-block weight. The light and audible alarms should be actuated in the cab and the boom down, boom extend, and winch up controls should disconnect.

Stability Test Record

Test Information:

Date of Test: _____ Installation Supervisor: _____

Crane Model: _____ Testing Supervisor: _____

Serial Number: _____ Testing Witness: _____

Test Lift Weight: _____ Boom Extension: _____

Boom Angle: _____ Swing Angle (180 or 360): _____

Load Radius: _____

Signatures:

Testing Supervisor: _____

Testing Witness: _____

RETURN TO DEALER UPON COMPLETION OF INSPECTION AND STABILTY TEST
Copies of these documents must be include in Warranty Registration Submission

**35-127 RS
Documentation**

Truck Weights and Dimensions

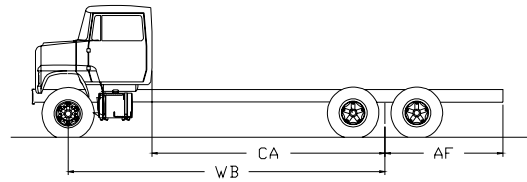
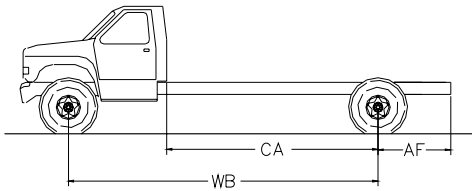
Part 1: Bare Chassis as Delivered

Make: _____

Model: _____

VIN: _____

Fuel Level: _____



CA: _____

AF: _____

WB: _____

Axle Weights

(Weigh without brakes applied, block wheels not on scale)

Weigh all three weights!

DO NOT calculate any weights, All must be directly measured.

Front: _____

Rear: _____

Gross: _____

Truck Options

Engine Make: _____

Engine Model: _____

Transmission Make: _____

Transmission Model: _____

Exhaust Position:

Orientation

- Horizontal
- Vertical

Position

- Right
- Left

RETURN TO DEALER UPON COMPLETION OF INSPECTION AND STABILTY TEST
Copies of these documents must be include in Warranty Registration Submission

Crane Information

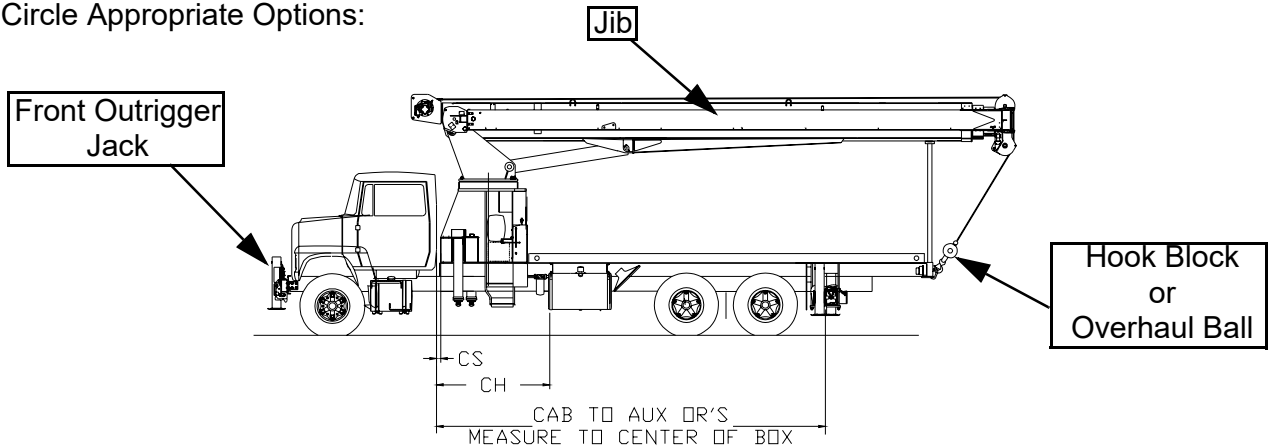
Part 2: Completed Unit

Completion Date: _____

Crane Model: _____

Serial Number: _____

Circle Appropriate Options:



List All Miscellaneous Options (Propane Heater, Toolboxes, Etc.) _____

Crane Installation Dimensions

CS - Cab to Subframe

CH - Cab to Hydraulic Tank

CS: _____

Cab to Aux. O/R's: _____

CH: _____

Axle Weights

(Weigh without brakes applied, block wheels not on scale)

Weigh all three weights!

DO NOT calculate any weights, All must be directly measured.

Front: _____

Rear: _____

Gross: _____

Fuel Level: _____

RETURN TO DEALER UPON COMPLETION OF INSPECTION AND STABILTY TEST
Copies of these documents must be include in Warranty Registration Submission

PAGE INTENTIONALLY LEFT BLANK

Post Installation

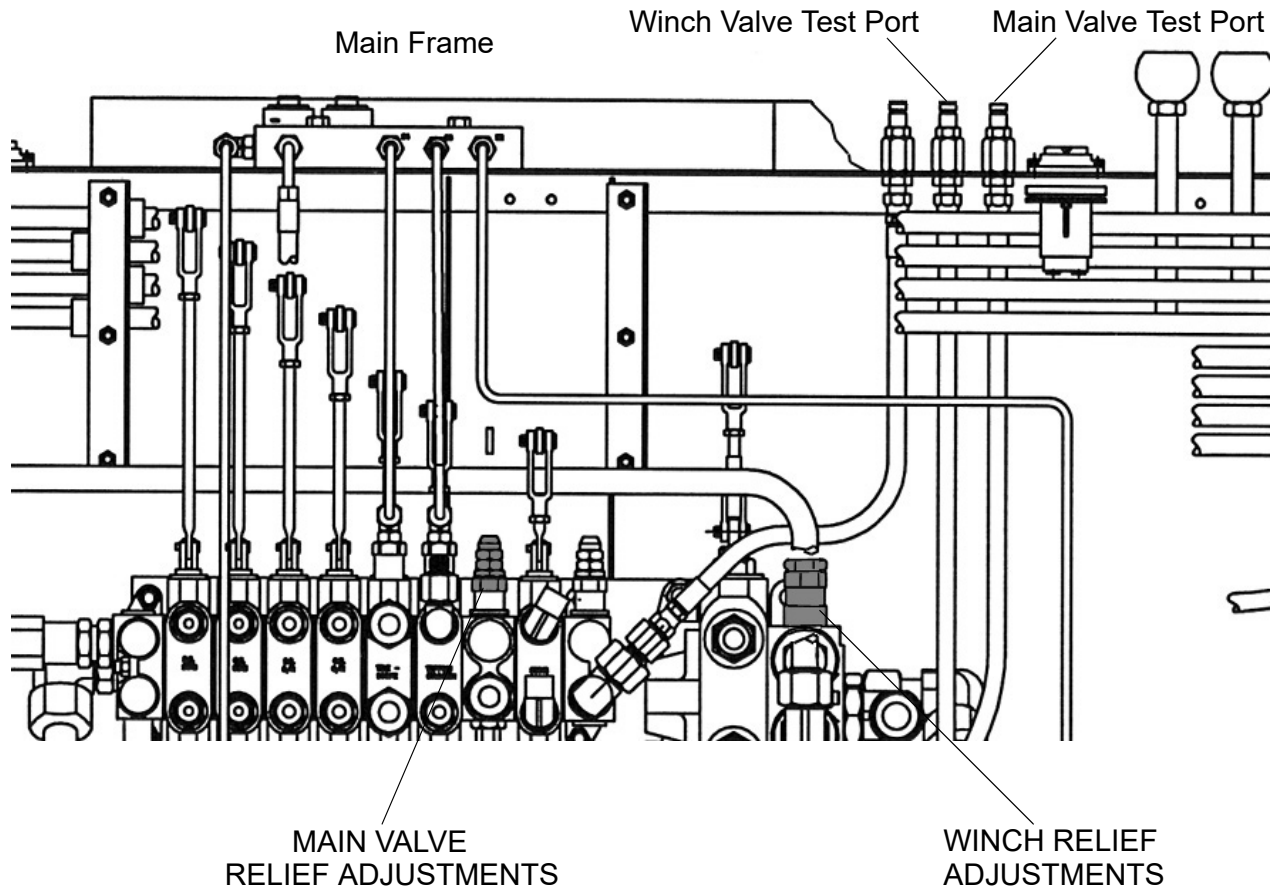
Validation of Relief Valve Pressures

TESTPORT IDENTIFICATION

Main Valve test port - The test port farthest from the Mainframe.

Winch Valve test port - The center test port.

All test ports are male Parker PD series quick connect fittings



35-127 RS Post Installation

Relief valve pressure validation should be performed with the crane in operating configuration, i.e. outriggers down and truck set level. Refer to operator's manual for instruction.

Obtain a dead lift weight for setting the winch relief valve pressure. This will be approximately 15,000 lbs (6800 kg) for a Stinger 35-127 RS. The lift cable should be in a single line configuration with an overhaul ball attached (alternately, you may cap the winch ports instead of performing a dead lift).

The system reliefs should be checked only when the oil in the hydraulic system is warm or at operating temperature.

Main Valve Testing Procedure

1. Attach pressure gauge to Main Valve Test Port as shown on the previous page.
2. With the control levers in neutral position, raise pump RPM to 2,300.
3. Slowly retract the boom extension cylinder until it reaches the end of the stroke and forces the system pressure upward to relief pressure.

LEAVE ALL OTHER CONTROL LEVERS IN THE NEUTRAL POSITION.

4. Check the reading on the test gauge. See pressure table below for proper settings.



NOTE: Move the lever to the neutral position immediately after taking the pressure reading to avoid excessive heat.

Winch Valve Testing Procedure

1. Attach pressure gauge to Winch Valve Test Port as shown on the previous page.
2. With control levers in neutral position, raise pump RPM to 2,300.
3. With either the winch engaged in a deadman pull, or the winch-up work port capped and plugged, move the winch lever to the up direction. Hold the lever until the system goes over relief.

LEAVE ALL OTHER CONTROL LEVERS IN THE NEUTRAL POSITION.

4. Check the reading on the test gauge. See pressure table below for proper settings.



NOTE: Move the lever to the neutral position immediately after taking the pressure reading to avoid excessive heat.

Proper Relief Valve Settings:

Winch Valve: 3200 +/- 50 psi (22,050 +/- 350 kPa)

Swing Valve: 1800 +/- 50 psi (12,400 +/- 350 kPa)

Main Valve: 3000 +/- 50 psi (20,700 +/- 350 kPa)

SEE NEXT PAGE FOR ADJUSTMENT PROCEDURE

Adjustment of Relief Valve Pressures



If the pressure seen at the test port fails to change after adjusting the relief valve, check to see that the test port you are checking is properly plumbed to the relief valve that you are adjusting. Failure to do so can result in pump damage.

If the value read from the pressure gage is outside of the acceptable pressure range, use the adjustment screw on the relief valve to change the relief setting. Turning the adjustment screw clockwise will increase the pressure setting. Turning the adjustment screw counterclockwise will decrease the pressure setting.

Always adjust the pressure relief valves such that the final adjustment made is an adjustment from a lower pressure setting to a higher pressure setting. Read below for further clarification.



NOTE: *One quarter turn of adjustment screw equals approximately 200-500 psi.*

Scenario 1:

Gage Reading: The pressure read from the gage is below the acceptable setting.

Action: Bring the pressure up to the acceptable level by making small clockwise adjustments and checking the pressure in between each adjustment.

Scenario 2:

Gage Reading: The pressure read from the gage is above the acceptable level.

Action: First take the pressure below the acceptable pressure setting by making a few large counterclockwise adjustments. After it has been verified that the pressure setting is below the acceptable level, bring the pressure up to the acceptable level by making small clockwise adjustments and checking the pressure in between each adjustment.

Repeat this procedure on each valve until both are set at the correct pressure.

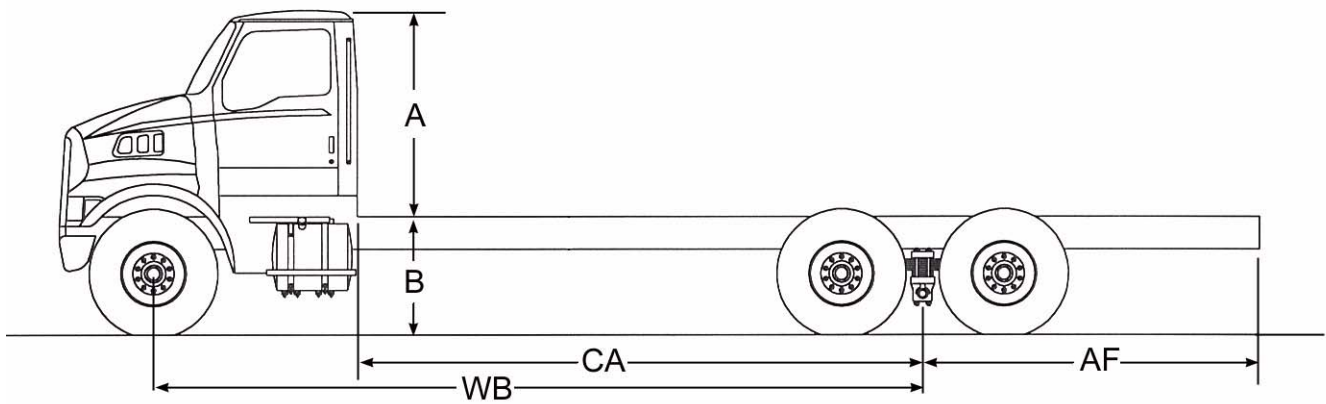
PAGE INTENTIONALLY LEFT BLANK

Torque Chart for Installation Hardware

USE	SIZE	TORQUE
Mainframe Tiedowns	1 1/4" - 12 UNF	500-530 ft-lbs (880-920 Nm)
Auxiliary O/R Tiedowns	1" - 14 UNF	225-235 ft-lbs (305-320 Nm)
Flatbed Installation Bolts	1/2" - 13 UNC GR5	55 ft-lbs (75 Nm)
Hyd. Reservoir Bracket Bolts	5/8" - 11 UNC GR8	160 ft-lbs (215 Nm)
Rod End Bolts - Boom Pins	5/8" - 11 UNC GR5	110 ft-lbs (150 Nm)
Pump Mounting Bolts	1/2" - 13 UNC GR5	55ft-lbs (75 Nm)
Shear Plate Bolts	5/8" - 11 UNC GR5	110 ft-lbs (150 Nm)

Chassis Nomenclature

KEY	DESCRIPTION
A	CAB HEIGHT
B	TRUCK FRAME HEIGHT
AF	AXLE TO END OF FRAME
CA	CAB TO AXLE DIMENSION
WB	WHEEL BASE OF TRUCK



AF

Axle to end of Frame - Distance from the center line of the rear axle(s) to rear of vehicle frame.

BBC

Bumper to Back of Cab - Front bumper to rear of cab dimension.

BOC

Back of Cab - Rearmost face of a truck's cab structure.

CA

Cab to Axle - Distance from the rear of the cab to the centerline of the rear axle (s).

Cab Height

Distance from top of frame rails to top of cab.

Chassis Weight

Also known as tare weight. The bare chassis weight, excluding fuel, tools, driver and payload. Does include lubricants and coolant.

Federal Bridge Law

Law governing axle loading of vehicles.

GAWR

Gross Axle Weight Rating - Maximum weight capacity of an axle system.

GVWR

Gross Vehicle Weight Rating - Maximum weight capacity of a chassis assembly.

Payload

Weight of cargo placed on chassis, does not include vehicle components.

RBM

Resisting Bending Moment - A measure of a frame's ability to resist bending under load. Based on **Section Modulus** and **Yield Strength**.

Section Modulus

Indicates the relative strength of a given cross sectional frame shape.

Transmission

Assembly of gears, that allows for changing ratios between the engine and drive axles.

Truck Frame Height

Distance from a level ground plane on which a truck's wheels rest, to the top of the frame rails.

WB

Wheel base - Distance from the centerline of the front axle to the centerline for the rear axle (s).

Yield Strength

Strength of material used, in Pounds per Square Inch. Refers to permanent deformation of material. Less than the Ultimate Strength, which refers to breaking point of material.

35-127 RS Reference

Crane Nomenclature

ATB

Anti-Two-Block - Weighted switch which prevents the **Overhaul Ball** or **Load Block** from colliding with the **Boom Tip**.

Boom

Telescoping, lifting component of the crane assembly.

Boom Rest

Typically an A-frame weldment with a “saddle” on which the **Boom** can rest during transportation.

Boom Tip

Arrangement of sheaves and support brackets at the unmounted end of the **Boom**, used to guide the **Wire Rope** during lift.

Cable

See **Wire Rope**.

Center of Rotation

The vertical line about which the upper structure of the crane swings.

Control Console

Control Center for the crane. Contains control levers and valves for operation of crane.

Curbside/Streetside

More definite terms than “right side” or “left side” of the crane. Curbside, referring to the side which would face the curb when parked properly on a typical U.S. street, and Streetside, the side facing the street.

Flatbed

Platform which mounts on top of **Subframe** and provides a surface for transportation of a payload.

FBO

Front Bumper Outrigger - See **FBS**.

FBS

Front Bumper Stabilizer - Frame mounted jack located ahead of the front bumper. Intended to provide a stabilizing moment but not to relieve the wheels of weight. Sometimes referred to as FBO.

Hydraulic Reservoir

Large tank used to store hydraulic oil needed for extending hydraulic cylinders and powering hydraulic motors.

Hoist Cylinder

Hydraulic cylinder used to change the angle of the **Boom** of the crane. Sometimes referred to as Topping Cylinder.

Hydraulic Oil Filter

Assembly through which hydraulic oil is fed to remove contaminants.

Hydraulic Pump

Provides motivational force for the crane through high pressure movement of hydraulic oil. Typically driven by the vehicle’s engine through a **PTO** unit.

Jib

Functional extension of the **Boom**. Deductions must be made from the load chart when in use. Sometimes referred to as a Stinger.

LMI

Load Moment Indicator - See **RCI**.

Load Block

Heavy assembly of **Sheaves** and plates, used to multiply the mechanical advantage of the **Winch** by allowing the user to reeve multiple parts of line.

Mainframe

Square pedestal that is used as a spacer to allow the winch to clear the cab of the chassis and allow for large items to be placed on the **Flatbed** without interference.

Main Valve

Hydraulic valve used to control the **Hoist**, and **Outrigger** cylinders.

Oil Cooler

Radiator like component through which hydraulic oil is moved to lower its temperature.

Operator's Platform

Firm standing place from which to operate the crane, usually attached to **Mainframe** and **Control console**.

Outriggers, Main (O/R's)

Primary stability devices. Extend from the crane **Mainframe** assembly and contact the ground to relieve the wheels of weight and provide a rigid, stable base from which to operate the crane.

Outriggers, Auxiliary (O/R's)

Secondary stability devices, perform the same function as **Main Outriggers**, but are smaller and mounted further from the **Mainframe**.

Overhaul Ball

Heavy ball attached to the end of the Wire Rope, used to overcome friction and allow the unloaded **Wire Rope** to unspool and feed out properly. Sometimes called a Headache Ball.

Priority Valve

Solenoid valve used to redirect hydraulic pressure when a function outside of the main circuit needs to be activated. Commonly used for **Outrigger** activation on Load King cranes.

PTO

Power Take Off - Gear driven interface to a vehicle's engine or **Transmission**, used to power accessories, typically a **Hydraulic Pump**.

RCI

Rated Capacity Indicator - An operational aid that warns a crane operator of approaching overload or unstable conditions. Sometimes referred to as LMI.

Sheave

Wheel used for guiding **Wire Rope**, typically features a deep groove to cradle the Wire Rope.

Stinger

See **Jib**.

35-127 RS Reference

Subframe

Long, flat structure that attaches to the truck chassis and provides additional bending and torsional rigidity.

Super Structure

See **Turret**.

Swing Bearing

Geared bearing upon which the **Turret** is mounted. Allows the crane's upper structure to swing.

Swing Motor

Hydraulic motor with a stub gear mounted to its shaft enabling it to swing the upper structure of the crane.

Swing Valve

Hydraulic valve used to control the rotation direction of the **Swing Motor**.

Telescoping Cylinder

Cylinder, used in tandem with the extend and retract assemblies within the boom to control the overall length of the **Boom**.

Test Port

Hydraulic access ports which allow the operator to check the relief pressure of specific valves.

Topping Cylinder

See **Hoist Cylinder**.

Throttle

Pedal used to control the speed of the chassis' engine.

Turret

Rotating structure upon which the **Hoist Cylinder** and **Boom** pivot. Sometimes referred to as a Super-Structure.

Winch

Used to extend and retract the **Wire Rope** through use of a rotating drum. Typically powered by hydraulics.

Winch Valve

Hydraulic valve used to control the rotational direction and speed of the **Winch**.

Wire Rope

A flexible, multiple-stranded structure, usually made from high strength, cold-drawn steel wires. sometimes referred to as Cable.



Load King Operation Manual



Table of Contents

Outline of Operation.....	3
System Components.....	3
Power-Up Self-Test	5
Home Display	5
The Configuration Display.....	6
Home Button.....	7
Man Button	7
POL Button	7
Jib Options.....	8
Pick Point Button.....	8
Stow (Stowed Jib).....	8
Winch.....	9
Outrigger/Tire Selection	9
The Home Display	10
Outrigger/Tires.....	10
Actual Load.....	11
Cancel Alarm Button	11
Parts of Line.....	12
Information.....	12
Rated Capacity	12
Erected Jib.....	13
System.....	13
Anti-Two-Block.....	13
Jib Stowed	14
Pick Points	14
Configuration Button	15
Boom Length Window.....	15
Boom Angle Window.....	15
Load Radius Window	16
Swing Angle Window	16
Bar Graph	16
Cancel Alarm Button.....	17
Reset Function Kickout.....	17
Operator Programmable Alarms	18
Setting the Operator Alarms.....	18
Setting the Minimum/Maximum Boom Angle Alarms.....	19
Setting the Maximum Boom Length/Tip Height Alarms	20
Setting the Swing Alarms	21
Swing Alarms Illustrated.....	23
Work Area Alarms.....	24
Setting the Work Area Alarms	25

Introduction

The Greer Insight system is designed for use as an aid to crane operation.

Do not use this system without a properly trained operator who is knowledgeable in safety guidelines, crane capacity information, and the crane manufacturer's specifications.

This manual describes the operation of the Greer Insight, hereinafter referred to as the system. Please read the contents and instructions contained in this manual.

Outline of Operation

The system is an aid to crane operation. Crane functions are monitored by a variety of sensors.

The system compares the load suspended below the boom head to the crane capacity chart stored within the computer's memory.

At approach to overload, the system sends audible and visual warning signals. The system can be configured to cause function kick-out by sending a signal to function disconnect solenoids.

System Components

- Display Unit
- Computer Unit
- Pressure Sensors
- Reeling Drum Assembly, with Extension and Angle Sensors
- Anti-Two-Block Switches
- Cables
- Audible Alarm
- Installation/Operator Manuals

Display Unit

The display unit provides the operator with:

- Rated Capacity
- Actual Load
- Bar graph representation of Actual Load vs. Rated Capacity
- Radius of the Load
- Boom Angle
- Main Boom Length
- Working Area
- Crane Configuration

BOOM ANGLE SENSOR

The boom angle is measured by a potentiometer/pendulum assembly. It provides a voltage proportional to boom angle. This sensor is mounted inside the cable reeling drum assembly.

EXTENSION SENSOR

The extension sensor provides a voltage proportional to the extension of the boom. The extension sensor is mounted inside the cable reeling drum assembly.

PRESSURE SENSORS

There are two pressure sensors which measure pressure in the boom hoist cylinder. One sensor measures the rod-side pressure and one sensor measures the piston-side pressure.

ANTI-TWO-BLOCK (ATB)

A switch monitors the approach of the hook block or overhaul ball to the boom head. The switch is held in the normal position until the hook block or overhaul ball raises a weight that is mounted around the hoist rope. When the weight is raised it opens the switch. The resultant switch open signal is sent to the computer via the reeling drum. This results in the ATB alarm operating and a function kick-out to occur.

FUNCTION KICK-OUT

Electrically-operated hydraulic solenoids disconnect the control lever functions for boom hoist lower, telescope out, and winch up when an overload or ATB alarm condition occurs.

OPERATOR PROGRAMMABLE ALARMS

These alarms, when properly set by the operator, define the operating area. These alarms are programmable for each job site and allow the operator to work in a defined area.

- Minimum/Maximum Boom Angle Alarm
- Maximum Boom Length Alarm
- Maximum Tip Height Alarm
- Left and Right Swing Alarm
- Work Area Alarm

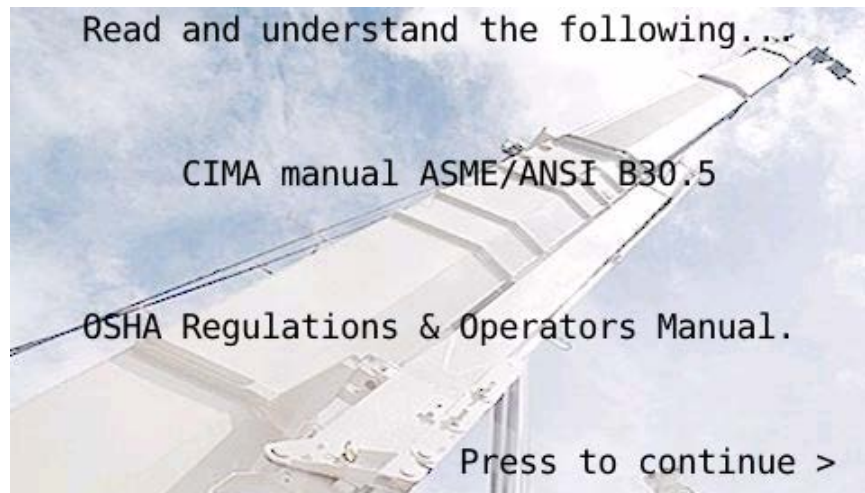
OUTRIGGER POSITION SENSING

This alarm alerts the operator, audibly and visually, when the selected outrigger position does not match the detected outrigger position.

Power Up Self-Test

Immediately following system power up, the system executes a system self-test which lasts for approximately 10 seconds. During this time the display shows the rating chart number, units in use, and load.

During this time, crane motions are disabled by the system function kick-out. Press the **Press to Continue** button to acknowledge the home display message and allow the system to start normal operation.



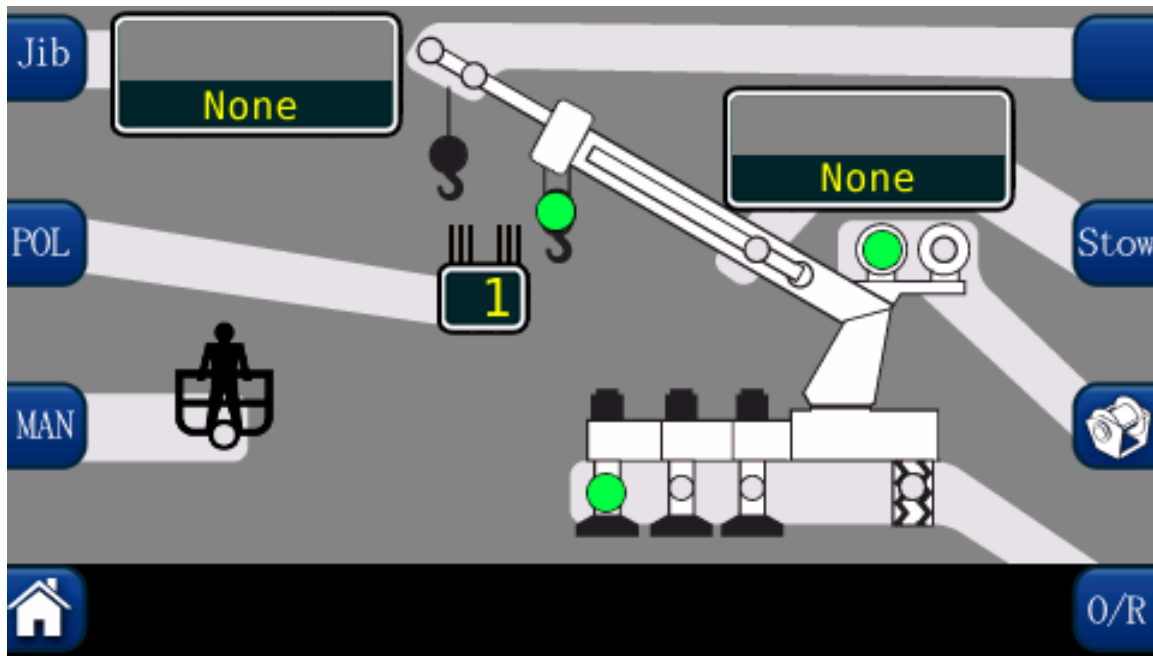
NOTE: Not all applications will have this screen. In such applications, the home display will be shown without the need to select "CONTINUE".

Home Display



The configuration display may be accessed from the home display by pressing the **Configuration** button.

The Configuration Display



NOTE: The graphic above is only a representation of the system. The shaded areas may vary in configuration depending on the application.

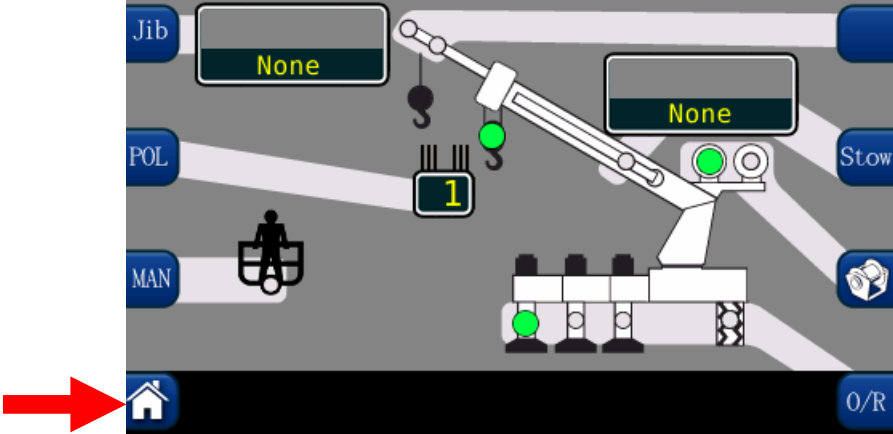
NOTE: Always check the point of lift and parts of line upon selection of the winch.

The configuration display gives a pictorial representation of the current system setup. Each shaded area contains one or more green indicators and a button to change the setup selection. In groups with multiple options, green indicators illuminate individually to indicate the selection. When the configuration is complete, press the **Home** button to return to the main operation screen.

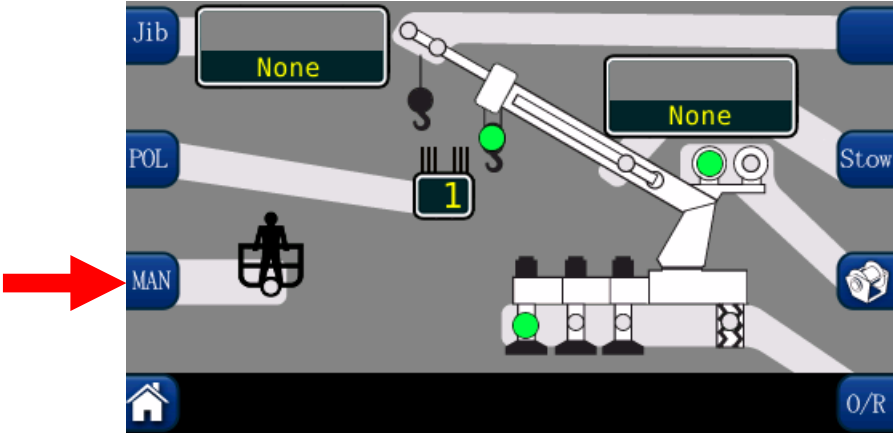
WARNING!!

THE DISPLAYED LOAD AND CAPACITY ARE BASED UPON THE CURRENT SELECTED POINT OF LIFT. NEITHER THE GREER INSIGHT SYSTEM, NOR THE CRANE CAPACITY CHART ALLOWS FOR LIFTING FROM MORE THAN ONE HOOK AT A TIME.

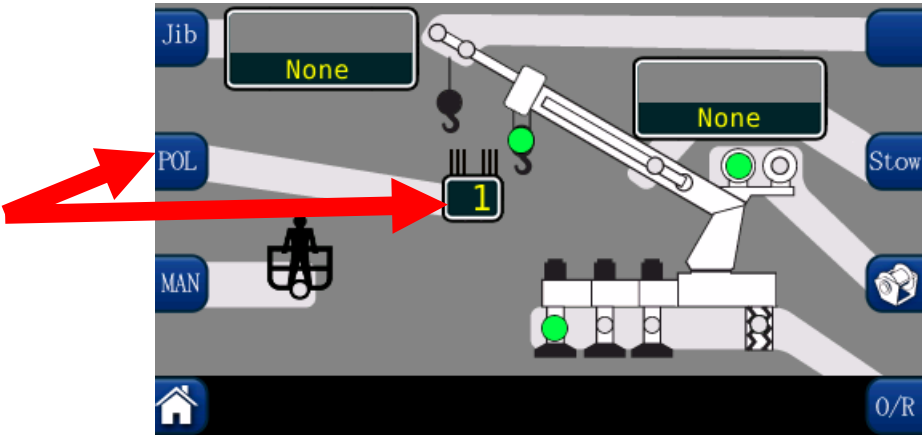
1. The **HOME** button will return the user to the Home display.



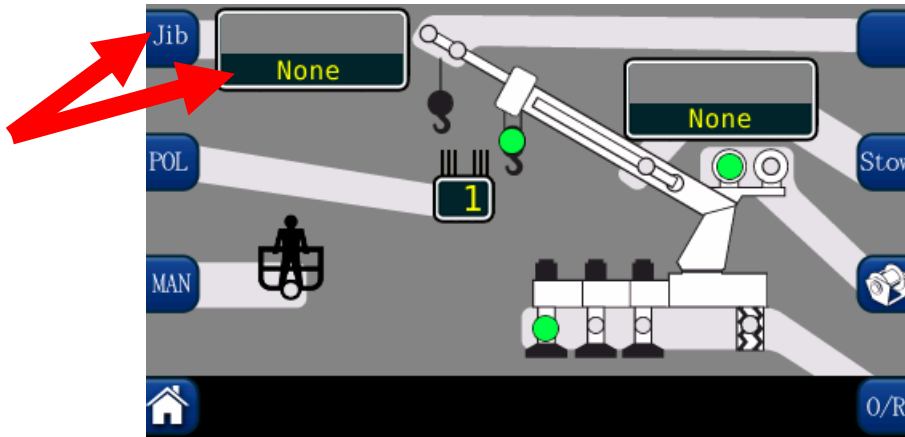
2. The **MAN** button enables the optional Personnel Platform.



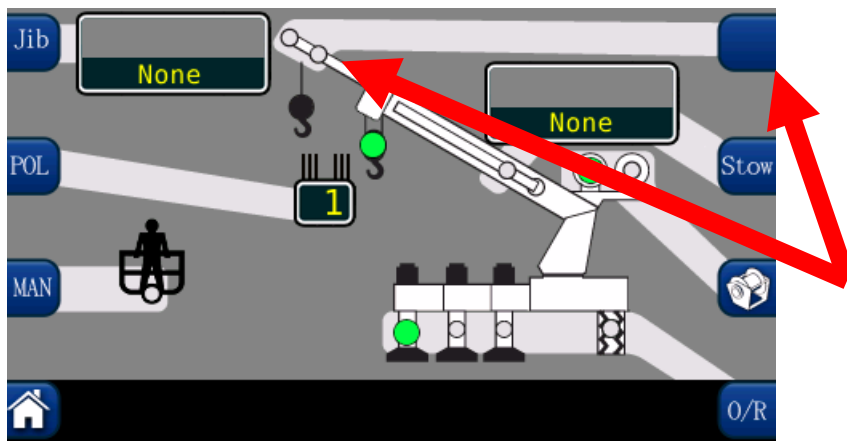
3. The **POL** button selects the current parts of line. Pressing the **POL** button will increment the parts of line. When the maximum parts of line for the equipment being used is reached, the indicator will rollover to one **POL**.



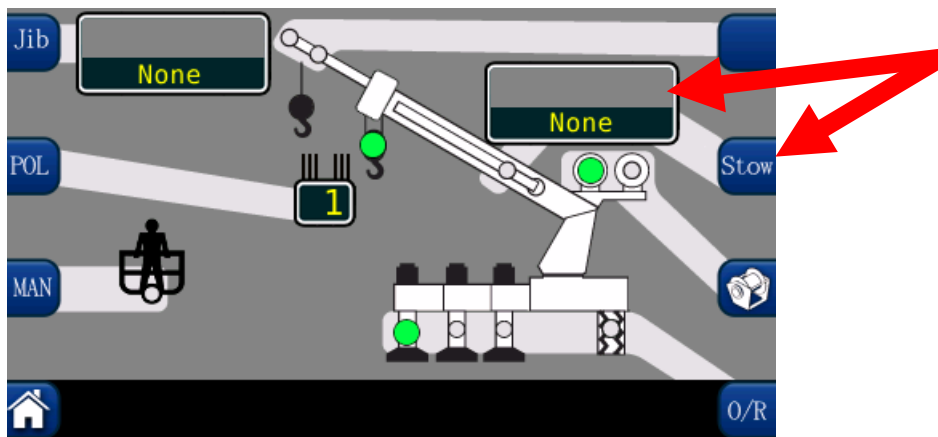
4. The **JIB OPTIONS** may be selected by pressing the **Jib** button multiple times to scroll through the jib options. If there are no options available, the display will show “None”.



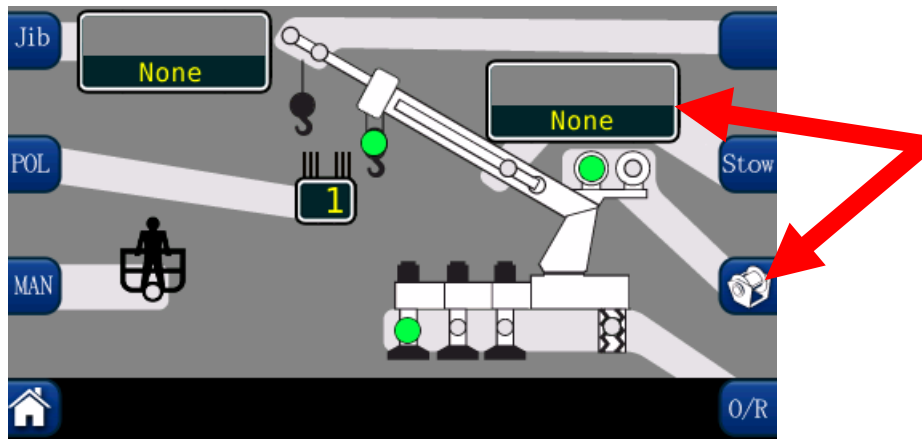
5. The **PICK LONG**, **PICK SHORT**, **PICK MAIN** selections are dependent upon the model of crane being used.



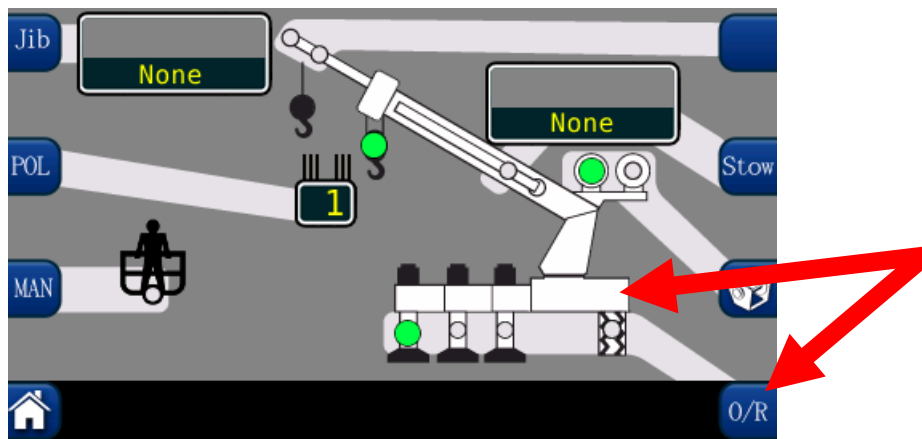
6. The **STOW (STOWED JIB)**, group contains one green indicator. This will illuminate when a jib is stowed on the boom. Press the **Stow** button multiple times to scroll through jib options. If there are no options available, the display will show “None”.



7. The **WINCH** group contains two green indicators, which indicate the selection of front or rear winch. **NOTE:** *If the crane is equipped with two winches, always select the winch to be used for the lift, prior to selecting the parts of line selections for each winch.*



8. The **OUTRIGGER/TIRE** selections are made by pressing the **O/R** button. **NOTE:** *Some cranes will not have the option of selecting different outrigger positions.*



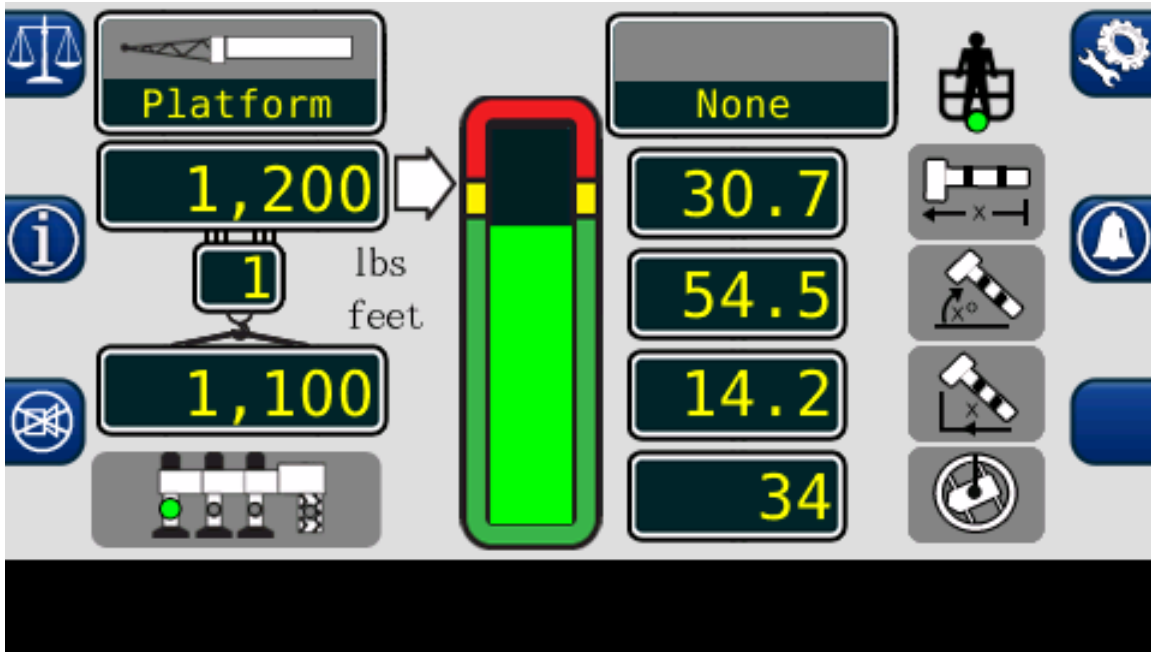
OUTRIGGER POSITION SENSING (IF EQUIPPED)

The operator will be warned if the selected outrigger position does not match the detected outrigger position.

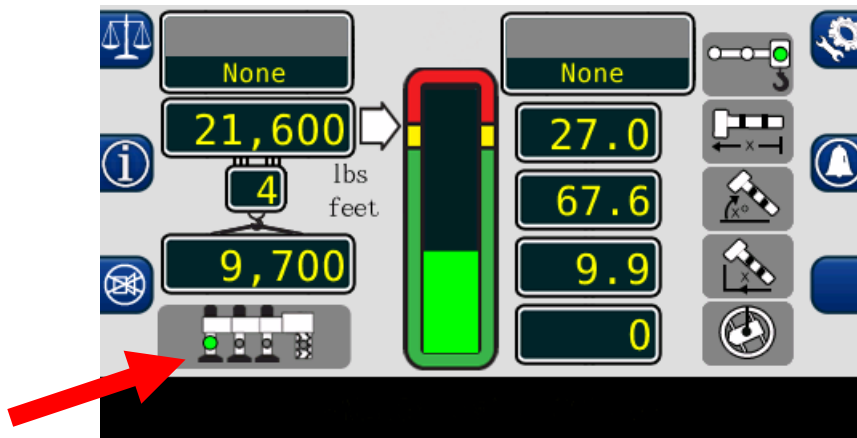
Correct Selection: The selection will have a solid green indicator, when the selected and detected outrigger positions match.

Incorrect Selection: The detected position will flash a red indicator and the selected position will be a solid yellow indicator. On the main screen, an audible alarm will sound if the selected position is greater than the detected position. The alarm will sound if the operator has selected fully extended outriggers, but the outriggers are in the intermediate or fully retracted position.

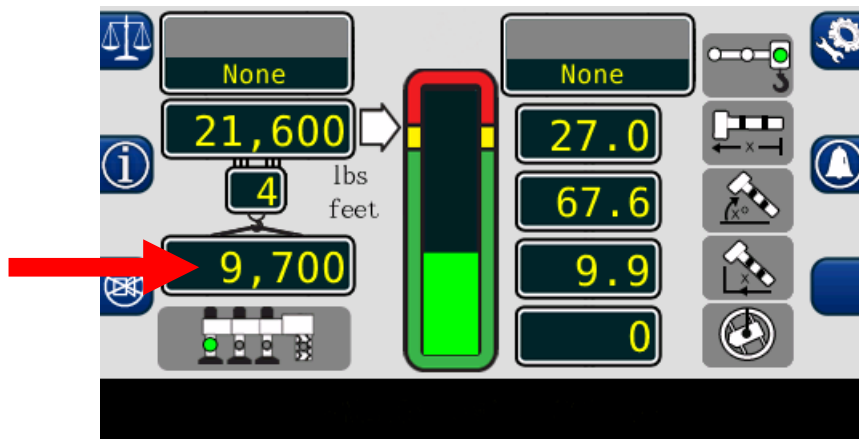
The Home Display



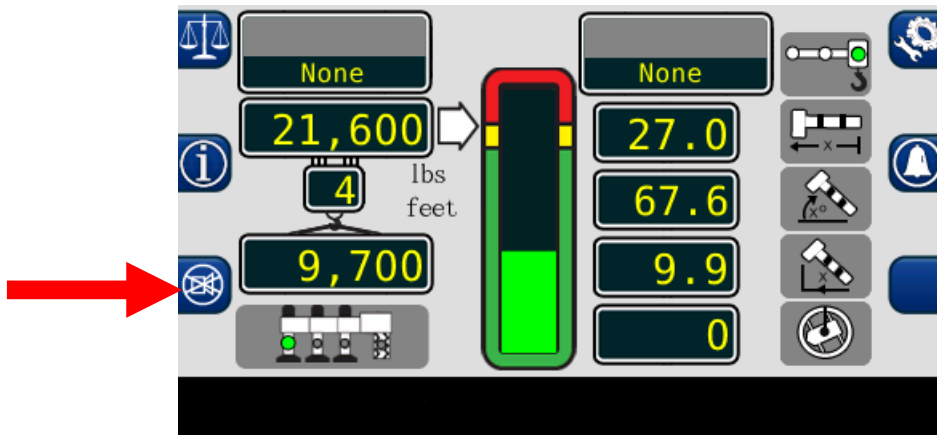
1. The **OUTRIGGER/TIRES** setting contains four green indicators. They indicate the selection of tires, full, intermediate, or retracted outriggers. The user must make the selection from the configuration display. **NOTE:** *OUTRIGGER/TIRE selections are dependent on the crane being used.*



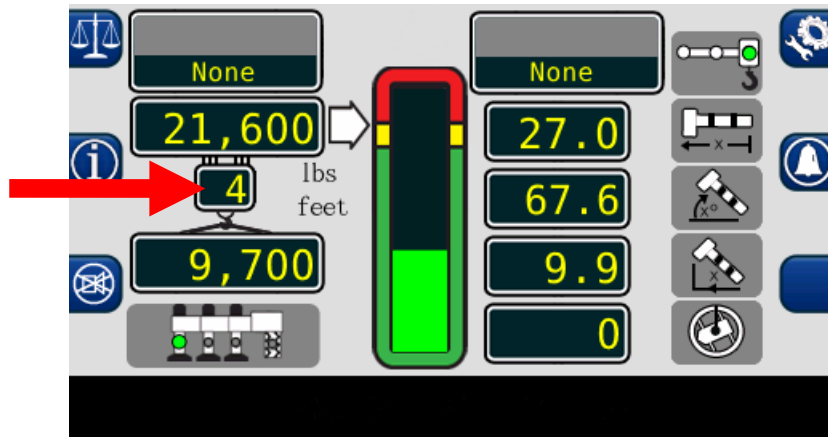
2. The **ACTUAL LOAD** value displays the total load, including slings, etc., suspended below the lifting point. **NOTE:** The system load reading is most accurate in static situations. Due to system dynamic response, the load reading may vary when lifting or lower the load. Meter functions carefully, especially boom down to minimize the dynamic effects.



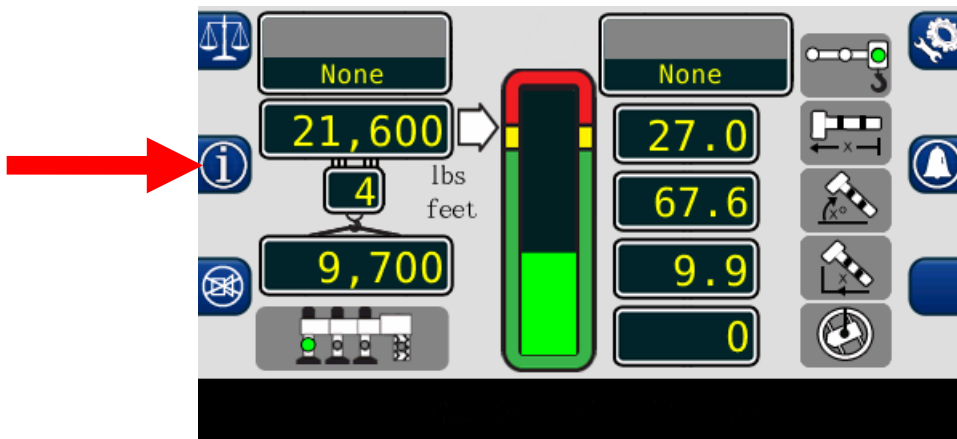
3. The **CANCEL ALARM** button is used to silence the audible alarm generated by an overload, ATB Alarm, operator programmable alarm, or outrigger position horizontal beam mismatch. The audible alarm remains cancelled until the condition causing the alarm has been resolved.



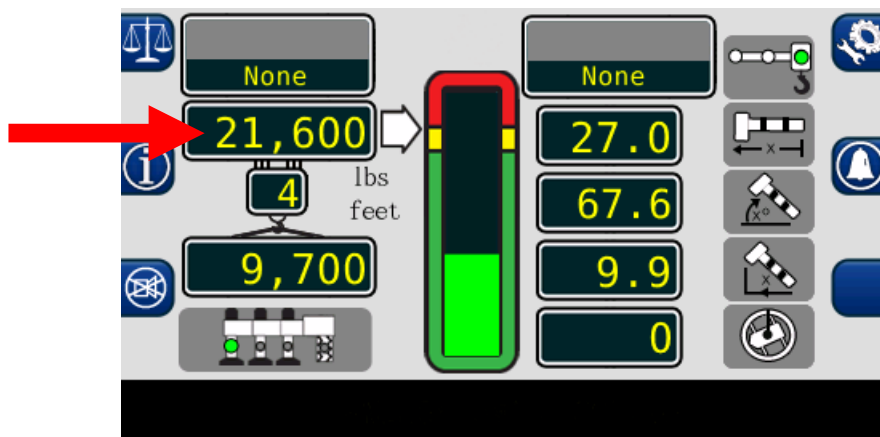
4. The **PARTS OF LINE** window displays the amount of line chosen for the configuration selected. It is adjustable from the configuration screen.



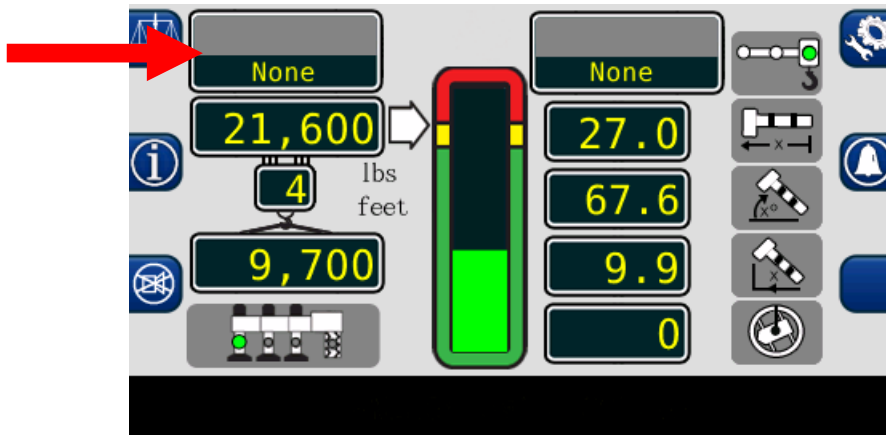
5. The **INFORMATION** button displays system generated messages regarding the software versions of the equipment and fault codes. Press and hold the **INFORMATION** button to display the data. The messages will remain on the screen until the button is released.



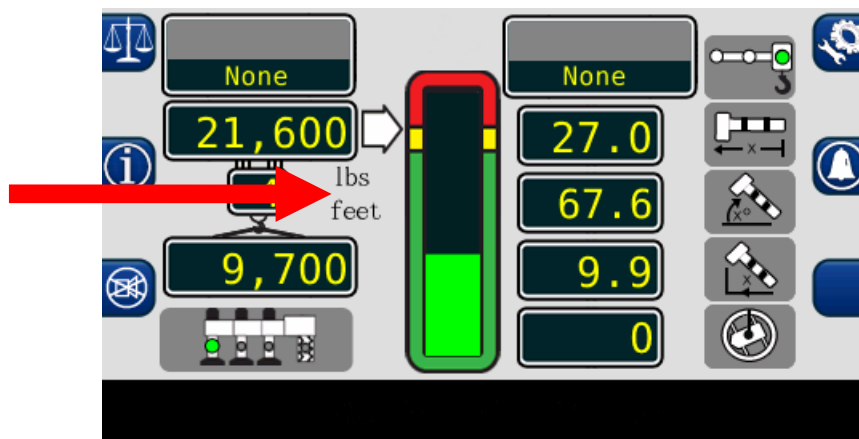
6. The **RATED CAPACITY** window displays the maximum rated capacity of the machine in the current configuration.



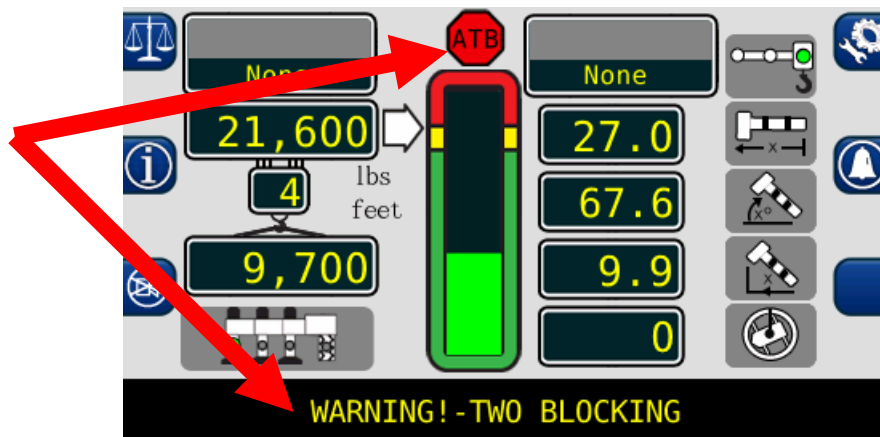
7. The **ERECTED JIB** window displays the jib option selected for the machine. If there are no jib options available, the display will show "None".



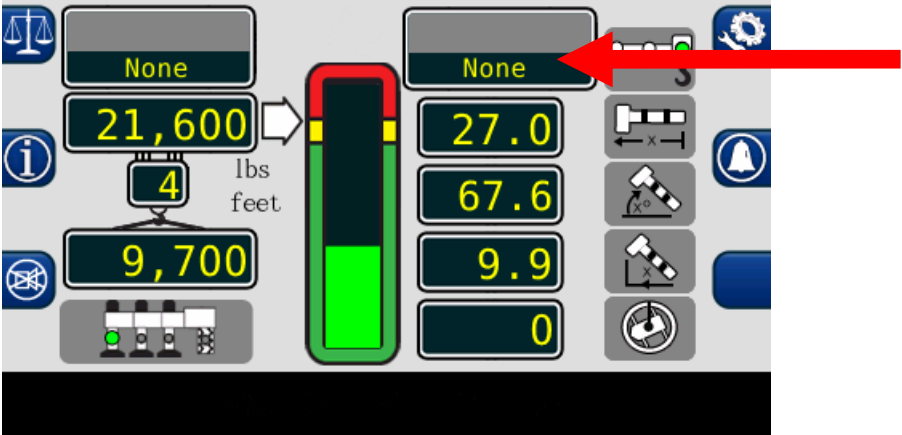
8. The **SYSTEM** has the capability of showing metric or imperial units. This can be changed in the calibration menu.



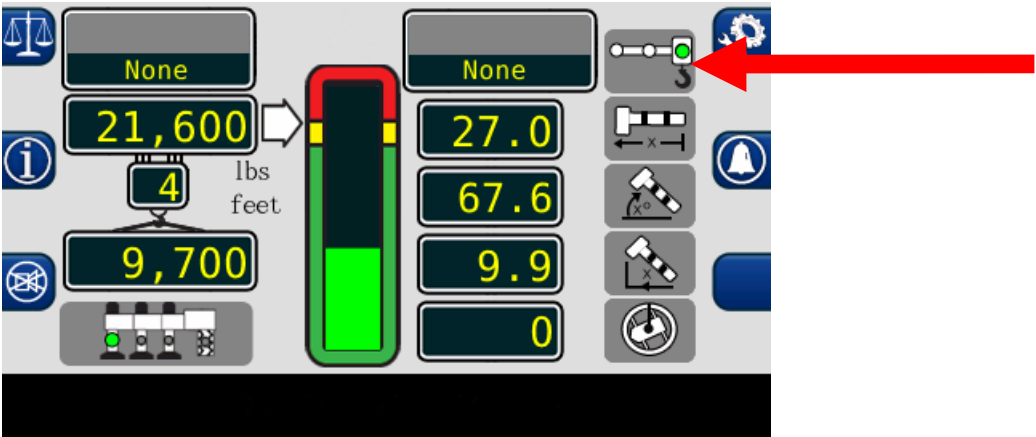
9. The **ANTI-TWO-BLOCK** indicator illuminates when the ATB limit switch detects an approach to a two-block condition.



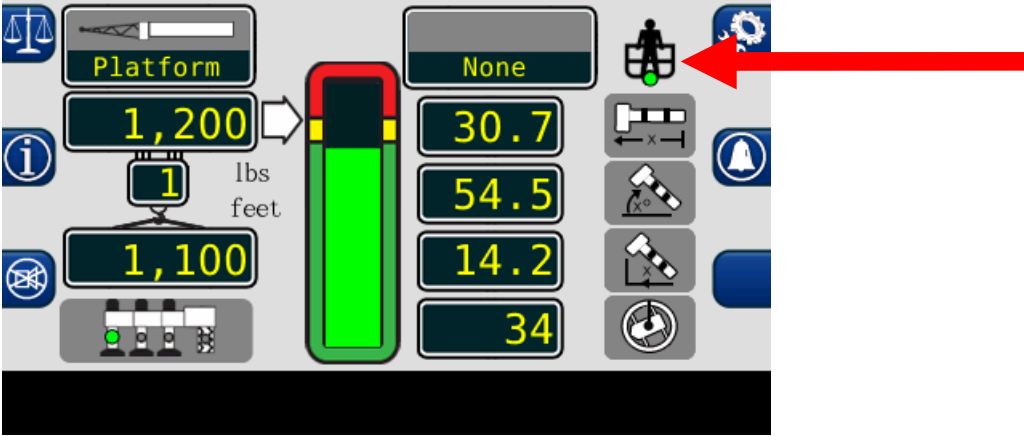
10. The **JIB STOWED** window displays the stowed jib from the configuration screen. The length and offset of the jib in use is also shown in the home display.



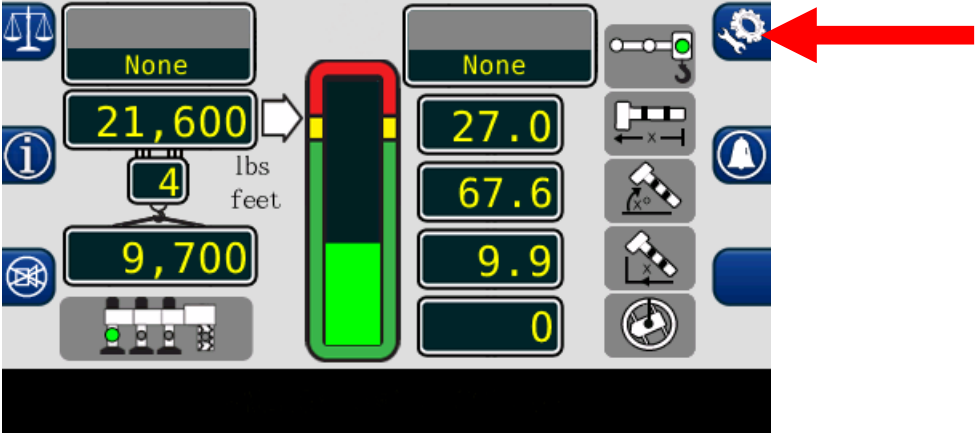
11. The **PICK POINT** icon displays the currently selected pick point chosen on the Configuration screen.



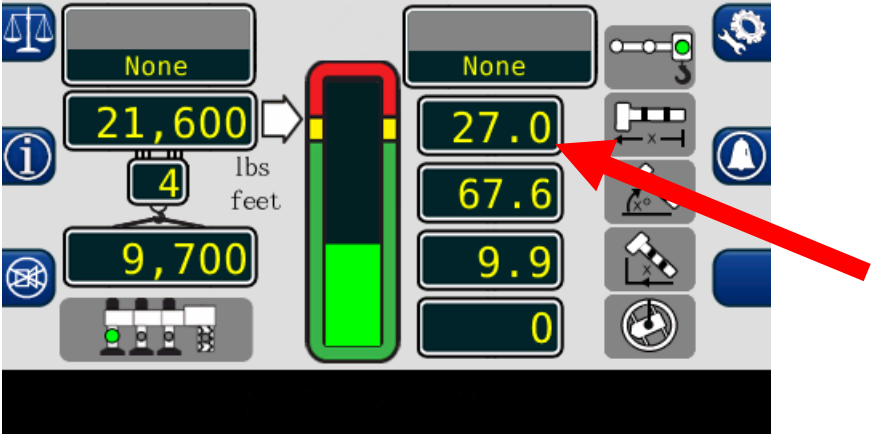
If the operator has chosen the Personnel Platform on the Configuration Screen, the main operating page will display the basket icon.



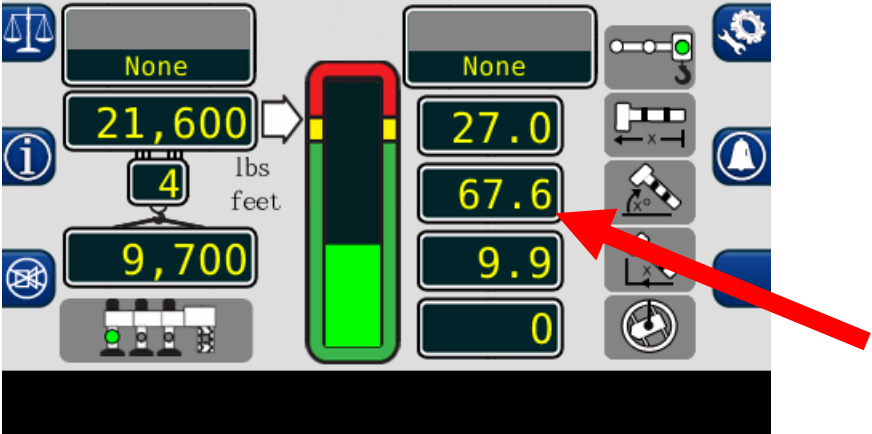
12. The **CONFIGURATION** button accesses the configuration display screen.



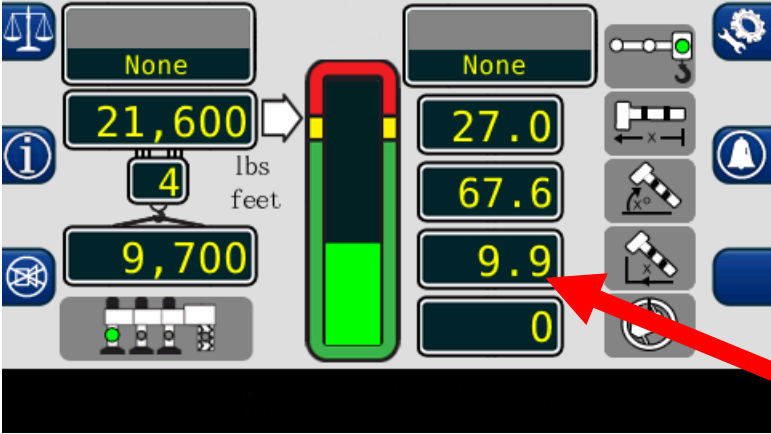
13. The **BOOM LENGTH** window displays the length of the main boom from the boom foot pin to the sheave pin of the main boom head machinery.



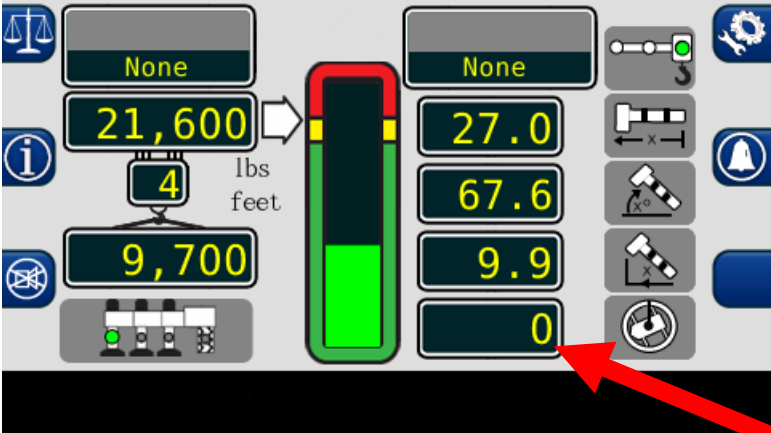
14. The **BOOM ANGLE** window displays the angle of the main boom in degrees relative to horizontal.



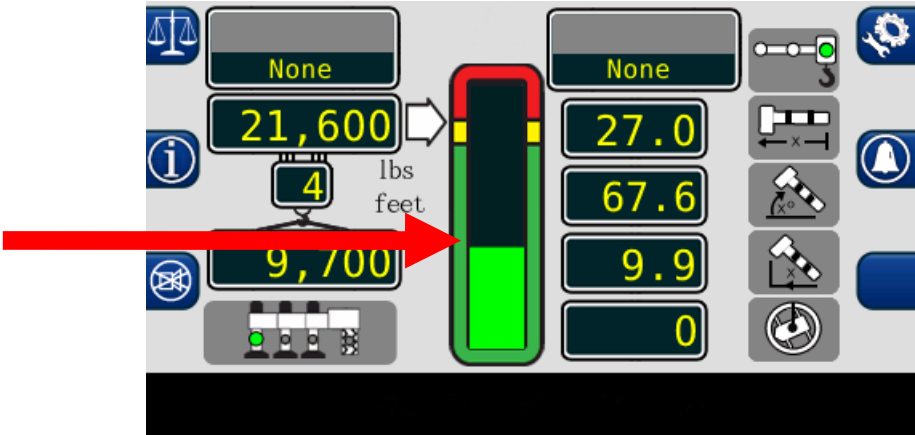
15. The **LOAD RADIUS** window displays the radius of the main boom.



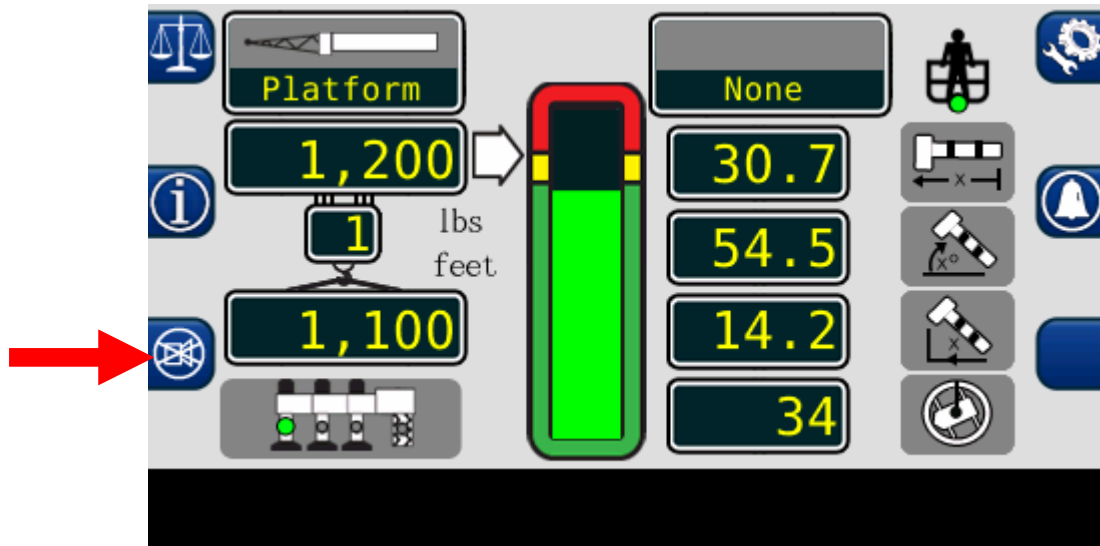
16. The **SWING ANGLE** window displays the swing of the boom relative to the zero point.



17. The **BAR GRAPH** indicates the actual load as a percent of the rated capacity of the current configuration of the machine.



Cancel Alarm Button



The **Cancel Alarm** button is used to silence the audible alarm. Press this button to cancel an audible alarm from an:

- Overload
- ATB Alarm
- Outrigger Horizontal Beam Mismatch
- Operator Programmable Alarm.

The audible alarm remains cancelled until the condition which caused the alarm has been resolved.

Reset Function Kick-Out

When rigging the machine, it may be necessary to place the boom in a position which could cause a function kick-out. In this situation, it would be necessary to use the **Cancel Alarm** button. The **Cancel Alarm** button is also used to reset the function disconnect relay. Press and hold the button for 5 seconds to reset the relay. A second beep is heard confirming the bypass. Continue to hold the button to maintain the function kick-out.

Should a different alarm condition occur while the relay is overridden, the new alarm will cause another function kick-out. When the condition which caused the alarm is no longer present, the function disconnect relay will reset to the normal condition.

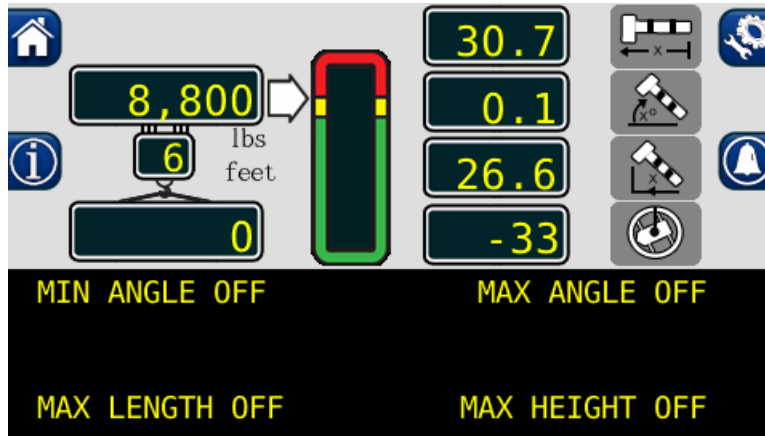
WARNING!!

WHEN THE FUNCTION DISCONNECT RELAY IS RESET BY MEANS OF THE CANCEL ALARM BUTTON, THERE IS NO LONGER PROTECTION AGAINST THE CONDITION THAT CAUSED THE FUNCTION KICK-OUT.

Operator Programmable Alarms

Setting the Operator Alarms

1. Press the **Operator Alarm** button. The information screen will show the current status of the operator alarms.

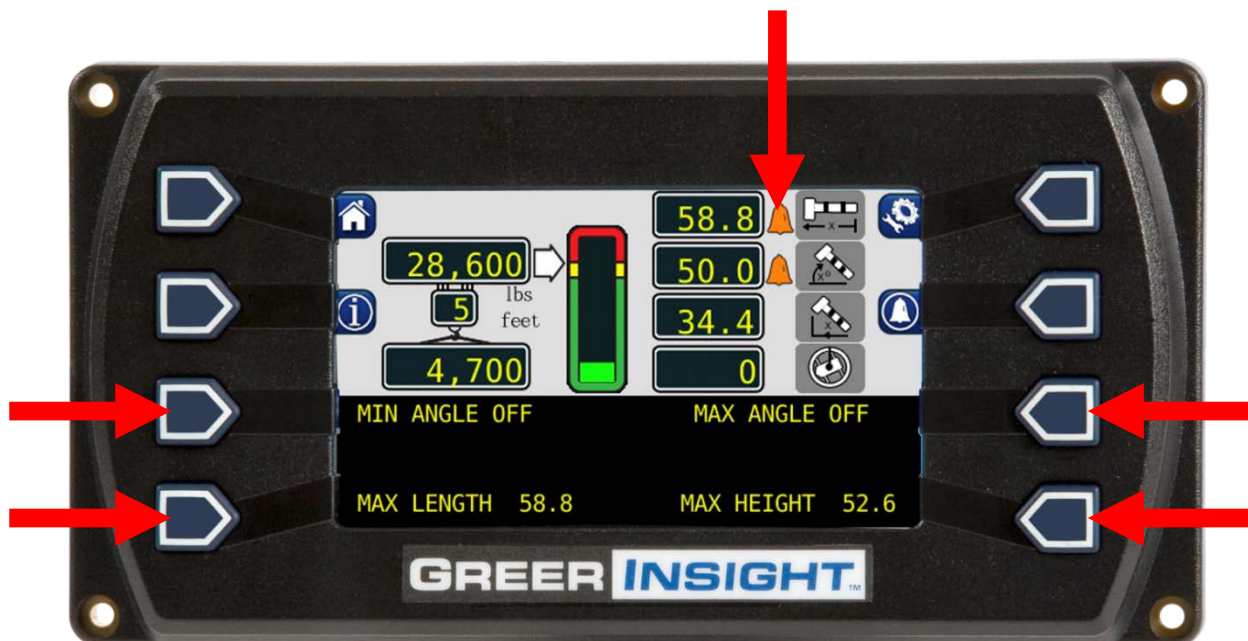


Each button corresponds to the displayed alarm. These buttons operate as a toggle switch. If the alarm to be set is OFF, pressing the button will turn the alarm ON. If the alarm to be set is ON, pressing the button will turn the alarm OFF.

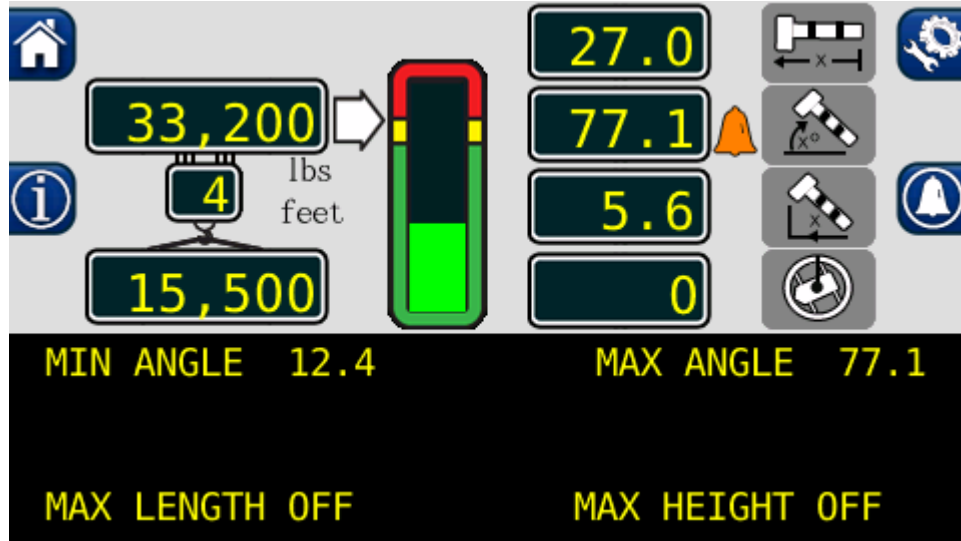


NOTE: Press the **Operator Alarm** button in order to cycle through the various user programmable alarms. Press the home button to return to the main screen. Exit at any time.

When operator alarms are set, the orange alarm will appear. An example below:



Operator Programmable Alarms



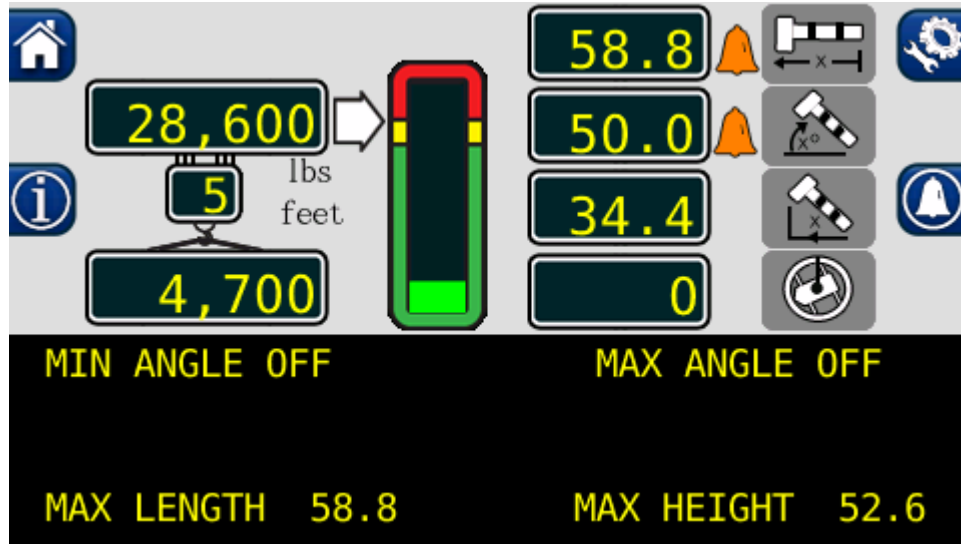
Setting the Minimum Boom Angle Alarm

1. Move the boom to the desired minimum angle, in this example, 12.4°.
2. Press the **MIN ANGLE OFF** button.
3. The display will show the desired minimum angle, in this example, 12.4°.
4. Press the **MIN ANGLE** button again to cancel the alarm. The display will read: “**MIN ANGLE OFF**”.

Setting the Maximum Boom Angle Alarm

1. Move the boom to the desired maximum angle, in this example, 77.1°.
2. Press the **MAX ANGLE OFF** button.
3. The display will show the desired maximum angle, in this example, 77.1°.
4. Press the **MAX ANGLE** button again to cancel the alarm. The display will read “**MAX ANGLE OFF**”.

Operator Programmable Alarms



Setting the Maximum Boom Length Alarm

1. Move the boom to the desired maximum length, in this example, 58.8 ft.
2. Press the **MAX LENGTH OFF** button.
3. The display will show the desired maximum length, in this example, 58.8 ft.
4. Press the **MAX LENGTH** button again to cancel the alarm. The display will read “**MAX LENGTH OFF**”.

Setting the Maximum Tip Height Alarm

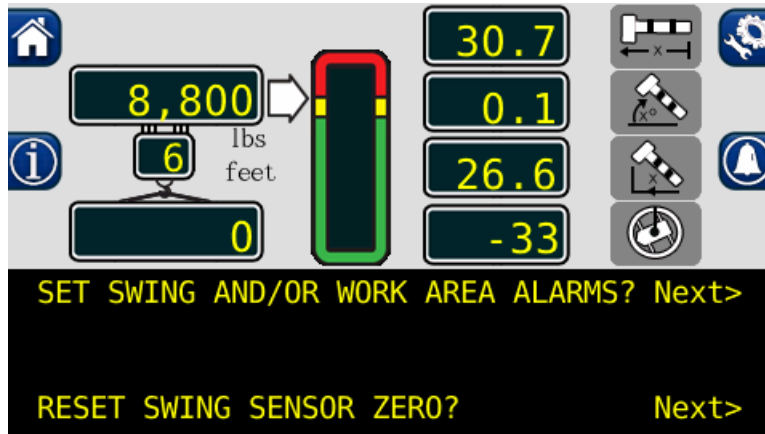
1. Move the boom to the desired maximum height, in this example 52.6 ft.
2. Press the **MAX HEIGHT OFF** button.
3. The display will show the desired maximum height, in this example 52.6 ft.
4. Press the **MAX HEIGHT** button again to cancel the alarm. The display will read “**MAX HEIGHT OFF**”.

Operator Programmable Alarms

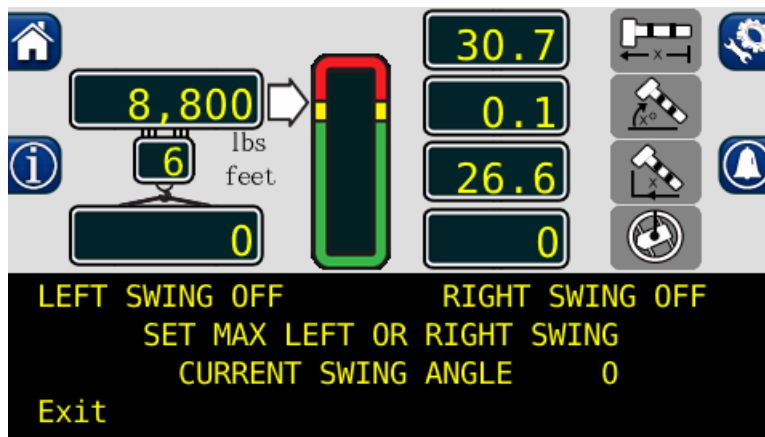
Setting the Swing Alarms

When the swing travels one degree past either set point, the operator will be visually and audibly warned. The display will show either, “**WARNING! – RIGHT SWING!**” or “**WARNING! – LEFT SWING!**” The alarm condition will once the crane is back into the working area.

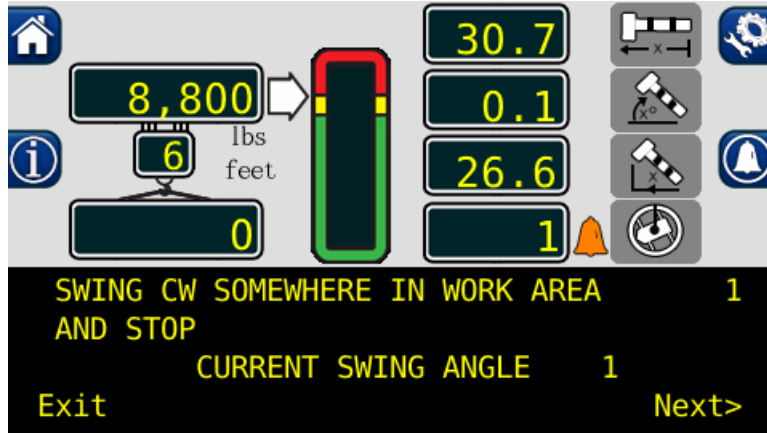
1. Press the **Operator Alarm** button twice.
2. Press **Next** button adjacent to “**SET SWING AND/OR WORK AREA ALARMS?**”



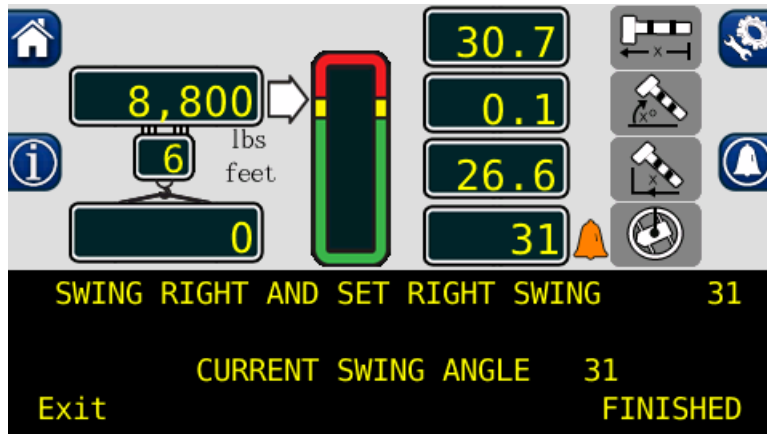
3. Press the **Next** button corresponding to “**SET LEFT AND RIGHT SWING ALARMS**”.
4. If a swing alarm is already set, press the **LEFT SWING** and **RIGHT SWING** buttons, to turn off the current alarms.



- Swing the boom to the desired left swing point and press the **LEFT SWING OFF** button. This sets the left swing point value.
- Press the **Next** button to continue.
- Move the boom into the safe area and press the **SET** button.
- Press the **Next** button.



- Swing the boom to the desired right swing point and press the **OFF** button.



- The swing alarms are now set. Press the **Exit** button to return to the calibration menu.

Operator Programmable Alarms

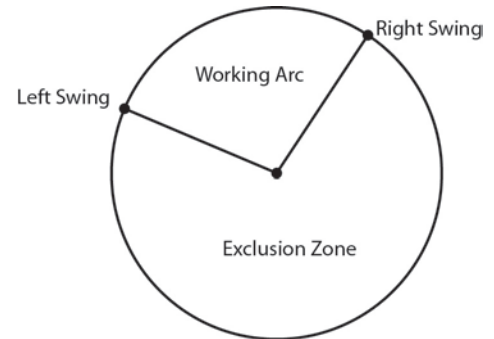
Swing Alarms Illustrated

These alarms permit the operator to define a working arc and an exclusion zone by two set points. The following diagram illustrates the working arc and exclusion zone.

A left swing alarm is activated when swinging to the left.

A right swing alarm is activated when swinging to the right.

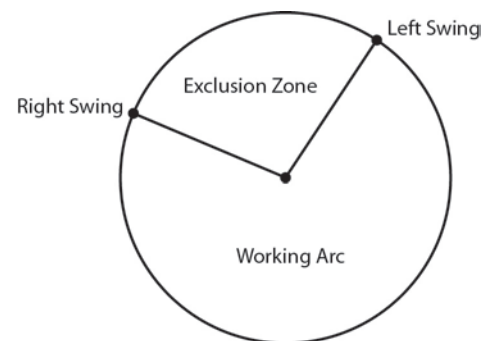
In this example the working arc is the smaller piece of the pie.



A left swing alarm is activated when swinging to the left.

A right swing alarm is activated when swinging to the right.

In this example the working arc is the larger piece of the pie.



WARNING!

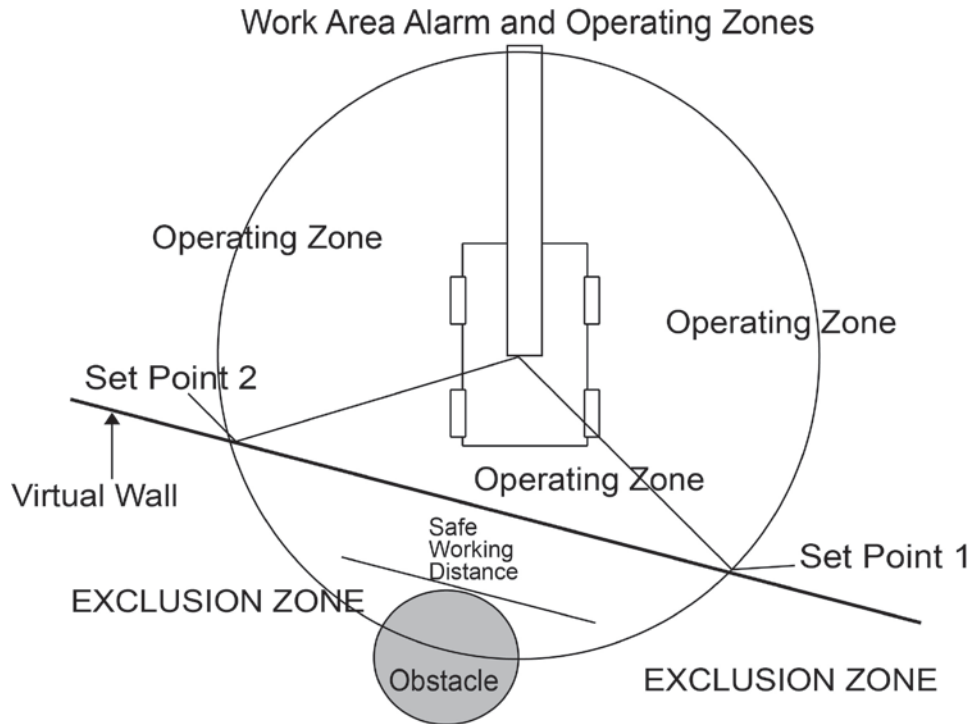
THE OPERATOR DEFINED SWING ALARM IS A WARNING DEVICE. ALL FUNCTIONS REMAIN OPERATIONAL WHEN ENTERING THE OPERATOR DEFINED EXCLUSION ZONE. IT IS THE RESPONSIBILITY OF THE OPERATOR TO SET SWING ALARMS THAT ENSURE THE CRANES BOOM, ATTACHMENT, LOAD, RIGGING, ETC. MAINTAIN A SAFE WORKING DISTANCE FROM THE OBSTACLE. AVOID POSITIONING THE BOOM, ATTACHMENT, LOAD, RIGGING ETC. IN THE EXCLUSION ZONE WHEN MOVING TO THE LEFT AND RIGHT SWING POINTS. WHEN SELECTING LEFT AND RIGHT SWING POINTS ENSURE THE LOAD WILL MAINTAIN A SAFE DISTANCE FROM THE OBSTACLE. RESET THE SWING ALARMS IF THE CRANE OR OBSTACLE IS MOVED OR IF A DIFFERENT SIZE LOAD IS LIFTED.

Operator Programmable Alarms

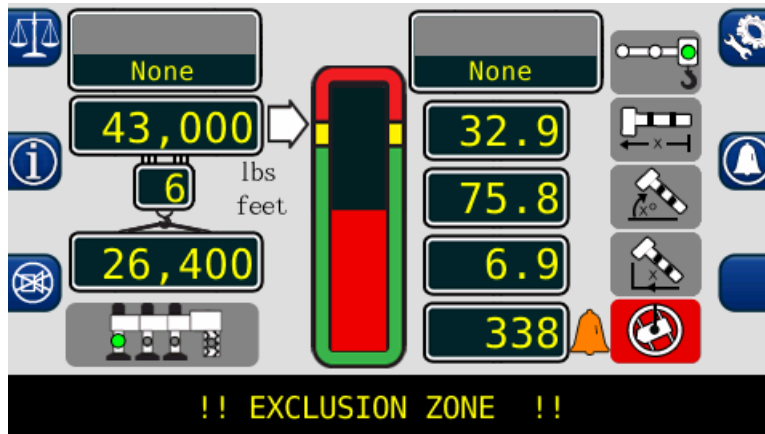
Work Area Alarms

This alarm permits the operator to define an operating zone by only two set points. The use of this method results in a more defined operating zone. The following diagram illustrates the operating zone and the exclusion zone.

The set points are calculated using the tip of the boom. This means the set point isn't determined just by the swing of the boom, but also the distance from the centerline of rotation to the tip of the boom.



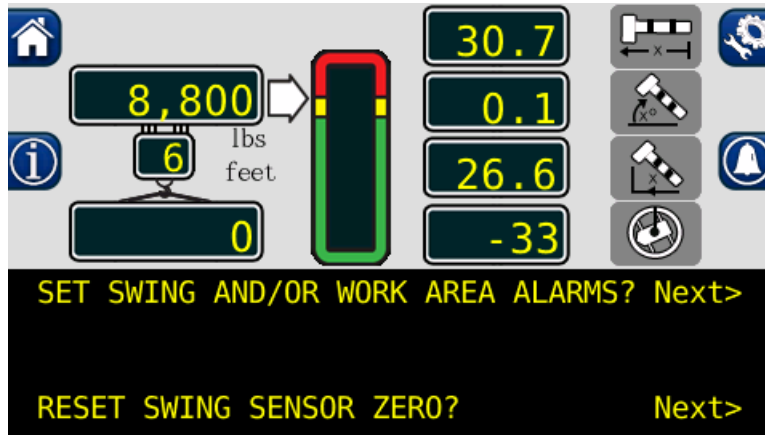
The work area alarm, defines an imaginary vertical plane between two set points. When the plane is passed the red warning indicator will be displayed, the alarm will sound, and the message “!! EXCLUSION ZONE !!” will flash as shown below.



Operator Programmable Alarms

Setting the Work Area Alarm

1. Press the **Operator Alarm** button twice. The information screen will show the current status of the swing and work area alarms. Press **Next** button adjacent to “**SET SWING AND/OR WORK AREA ALARMS?**”



2. Press the **Next** button.
3. To set a new swing area, the left and right points must be reset. Press the **LEFT POINT** and **RIGHT POINT** buttons. This will reset the set points



NOTE: In order for the swing alarms to function properly both alarms must be set. If the procedure is aborted before both points are set, the alarms will default to “OFF”.

4. The display will now show “**LEFT POINT OFF**” “**RIGHT POINT OFF**”.



5. Rotate the boom to the desired left point. This should be the point to the left of the obstacle facing the exclusion zone to be defined.
6. Press the **LEFT POINT** button. The left point will now be set.

7. Rotate the boom to the right, taking care to avoid the obstacle by raising or retracting the boom. Or rotate the boom to the left to avoid moving the boom through the exclusion zone.
8. Press the **RIGHT POINT** button.
9. The work area alarm set points are now set.
10. To deactivate the alarms, go back to the screen displaying the left and right set points.



11. Press the **LEFT POINT** and **RIGHT POINT** buttons to toggle the alarms OFF.



POWER to Move the World™

A **DOVER** COMPANY

11135 South James • Jenks, OK 74037

Phone: (918) 298-8300

Fax: (918) 298-8301

www.team-twg.com

Greer Company is a part of TWG.

As a leader in product innovation, Greer Company is committed to the ongoing improvement of its equipment.
We reserve the right to make changes to our products without notice.

©2013 TWG. All rights reserved.



Load King Calibration and Troubleshooting Manual



TABLE OF CONTENTS

Introduction.....	3
1.1 Overview and Preparation.....	3
2.1 System Self-Test	4
2.2 Display Console Problems	5
2.3 Fault Reporting and Fault Codes	6
2.3.1 Group “A” Fault Codes	7
2.3.2 Group “B” Fault Codes	7
2.3.3 Group “C” Fault Codes	8
2.3.4 Group “D” Fault Codes	8
2.4 “No Fault Code” Problems	9
2.4.1 Anti-Two-Block Alarm (ATB).....	9
2.4.2 Displayed Load or Radius Errors.....	9
3.1 Computer Unit Overview	12
3.2 Computer Unit Layout	12
3.3 Internal Status Indicators.....	13
3.4 Function Kickout Fuse (FUS1)	14
3.5 Replacing the Computer Unit	14
4.1 Display Console Overview	15
4.2 Checking the Display Console.....	15
4.3 Unresponsive Buttons	15
4.4 Connectors.....	16
4.5 Horn.....	16
4.6 Moisture	16
4.7 Replacing the Display Console.....	17
5.1 Calibration Mode.....	18
5.2 Entering the Calibration Mode	19
5.3 Calibration Menus	20
5.4 Calibrating the Extension Zero	22
5.5 Calibrating the Angle Sensor Zero	23
5.6 Calibrating Span of Extension and Angle	24
5.7 Calibrating the Swing Potentiometer	26
5.7.1 Calibrating Swing Direction.....	26
5.7.2 Cranes with Swing Switches.....	27
5.8 Calibrating the Outrigger Position Sensor	28
5.9 After the Calibration Routine	30
6.1 Reeling Drum Overview	31
6.2 Checking the Reeling Drum Cable Layering.....	32
6.3 Sensor Baseplate Assembly	33
6.4 Anti-Two-Block Function Overview.....	35
6.5 Checking the Reeling Drum Cable	35
6.6 Checking the Anti-Two-Block Circuit	35
7.1 WAD/ISS	37
7.2 WAD/ISS Troubleshooting Table.....	38
7.3 Replacing the Swing Sensor	39
7.4 Replacing the Conditioning Box	40

Introduction

The Greer Insight system is an aid to crane operation. The operator must be knowledgeable in safety guidelines, crane capacity information, and the crane manufacturer's specifications.

This manual describes the setup, operation, and maintenance of the system. Read the instructions in this manual.

1.1 Overview and Preparation

This manual provides general information and methods for isolating problems that may happen during operation. Service personnel should have previous training and experience in the procedure for setup and operation of this system. Some problems may require replacing or returning parts to the factory for servicing.

Tools necessary:

- Tool kit consisting of wrenches and screwdrivers (flat and Phillips')
- Digital level accurate to 0.1°
- 150-200 ft tape measure graduated in tenths of a foot
- Digital multimeter

NOTE: Low-cost analog multimeters are not appropriate; their input impedance may give inaccurate readings.

2.1 System Self-Test

When the power is turned on, the system performs a self-test. This verifies the computer, display console, cable, and sensors are working properly. During the self-test, the display will show the expected crane model, load chart number and units of measurement.

When the display shows the following message, press the “PRESS TO CONTINUE” button.



If the above does not occur, refer to **Display Console Problems**.

2.2 Display Console Problems

Display console problems can be difficult to isolate due to the interaction between the display and the computer unit. Failure of either unit or the cabling connecting the units can cause a malfunction.

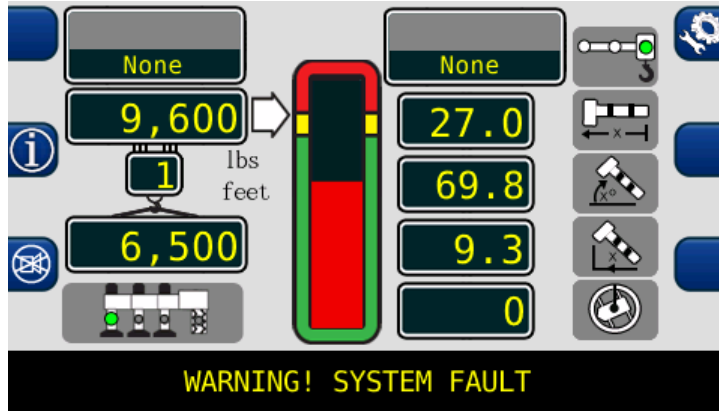
To solve problems using the display indications, observe the display at power up and through the self-test. Use the following chart to help with the diagnosis:

Problem	Action
There are no display indications in any of the windows when the power is turned on. Or a "No Communications" message appears.	Refer to Internal Status Indicators .
The display unit does not cycle through the self-test. The data in the display windows appears jumbled with missing segments.	Replace the display unit.

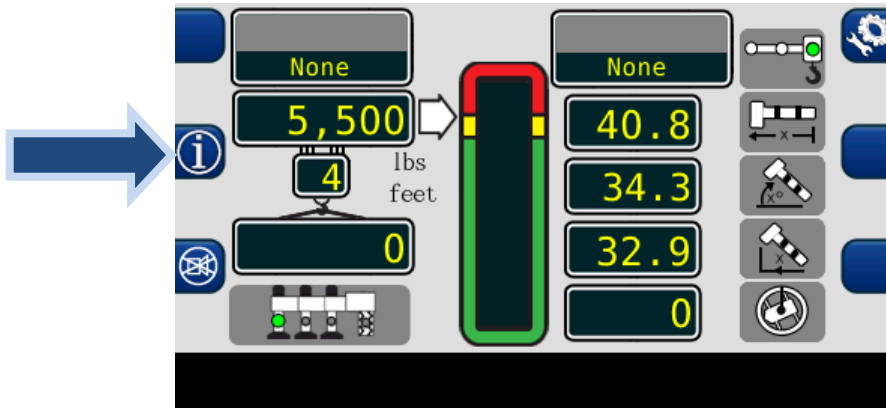
2.3 Fault Reporting and Fault Codes

System fault codes provide ways to locate and assess problems within the Insight system. Each time the system is turned on, it performs a self-test that lasts approximately 6 seconds. Faults detected during the self-test are indicated on the display console:

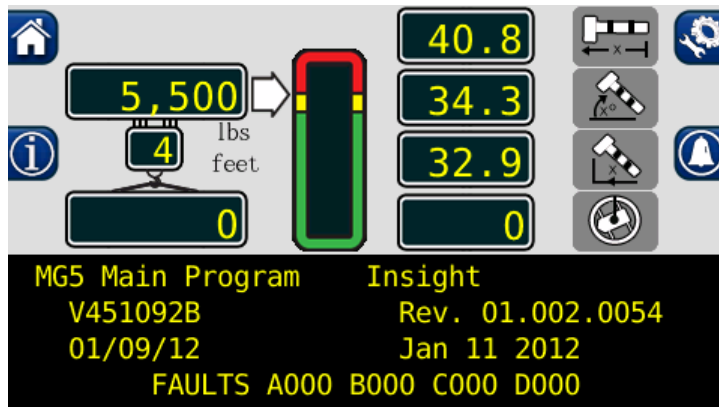
- “WARNING SYSTEM FAULT!” will display at the bottom of the text window.



To view the fault codes, press and hold the (i) button as shown.



The faults will be listed across the bottom of the text window.



2.3.1 Group “A” Fault Codes

Group “A” fault codes represent faults detected for analog sensors.

NOTE: Check and repair “B” and “C” group faults before investigating group “A” faults.

The following chart details all the available codes in the left column and the actions to take in the right column.

FAULT CODE	SWING SENSOR	BOOM ANGLE SENSOR	EXTENSION SENSOR	TDX 1 ROD PRESSURE	TDX 0 PISTON PRESSURE	ACTION
000	No Fault Found					None
001					X	Refer to Replacing the Computer
002				X		
003				X	X	
004			X			Refer to Calibrating the Extension Sensor Zero, Calibrating Span of Extension and Angle, and Reeling Drum Voltage Checks.
008		X				Refer to Calibrating the Angle Sensor Zero, Calibrating Span of Extension and Angle, and Reeling Drum Voltage Checks.
012		X	X			Refer to Calibrating the Angle Sensor Zero, Calibrating the Extension Sensor Zero, Calibrating Span of Extension and Angle, and Reeling Drum Voltage Checks.
016	X					Refer to Calibrating the Swing Potentiometer, and Reeling Drum Voltage Checks.

2.3.2 Group “B” Fault Codes

Group “B” fault codes represent faults detected for internal analog functions and power feeds to the function kickout and anti-two block switches.

FAULT CODE	FKO POWER FEED	A2B POWER FEED	DISPLAY CONSOLE	ADC 2 INTERNAL FAULT	ADC 1 INTERNAL FAULT	ACTION
000	No Fault Found					
008		X				Refer to sections 6.5 and 6.6 for Troubleshooting Information.
016	X					Check Crane Circuit Breakers

2.3.3 Group “C” Fault Codes



NOTE: Group “C” fault codes represent faults detected for internal computer memories.

The following chart details all the available codes in the left column and the actions to take in the right column.

FAULT CODE	SERIAL EEPROM	CRANE DATA	RAM	DUTY DATA	PROGRAM	ACTION
000	No Fault Found					NONE
001					X	Reprogram the MG5 computer.
008		X				Erase Crane Data
016	X					Replace Computer

2.3.4 Group “D” Fault Codes



NOTE: Group “D” fault codes represent faults detected for capacity chart selection.

The following chart details all the available codes in the left column and the actions to take in the right column.

FAULT CODE	WRONG SWING AREA	WRONG BOOM LENGTH	CHART NOT FOUND	ACTION
000	No Fault Found			NONE
001			X	Check other sensor faults first, Reselect CRANE SETUP
002		X		Boom length is out of range for selected chart. Check crane setup, boom length and extension.
003		X	X	Check other sensor faults first, Reselect CRANE SETUP
004	X			Swing to correct working area to select chart. Check swing sensor zero position.
005	X		X	Swing to correct working area to select chart. Check swing sensor zero position.
006	X	X		Check other sensor faults first, Reselect CRANE SETUP
007	X	X	X	Check other sensor faults first, Reselect CRANE SETUP

2.4 “No Fault Code” Problems

This section addresses problems not reported by the computer fault code system.

2.4.1 Anti-Two-Block Alarm (ATB)

This section gives aids diagnosing ATB alarm problems. For detailed information, schematic, and voltages, refer to **ANTI-TWO-BLOCK FUNCTION OVERVIEW**.

PROBLEM:

- *The Anti-Two-Block alarm is continuously ON. Operating the switch at the boom head does not deactivate the alarm.*

This problem suggests an open circuit between the computer ATB input and the ATB switch, or an open circuit between the computer ATB feed and the ATB switch. Check the reeling drum cable for damage. Ensure the two-block switches are correctly connected. Check the slip-ring and wiring inside the extension reel. Check the reel-to-computer cable. Check the connectors.

PROBLEM:

- *The Anti-Two-Block alarm is continuously OFF (safe). Opening the switch at the boom head, by lifting the A2B weight does not activate the alarm.*

This problem suggests a short circuit between the computer ATB input and the computer ATB feed somewhere between the computer and the ATB switch. Check the reeling drum cable for damage. Ensure the two-block switches are correctly connected. Check the slip-ring and wiring inside the extension reel. Check the reel-to-computer cable. Check the connectors.

2.4.2 Displayed Load or Radius Errors

This section gives direction to fault diagnosis of load and radius errors. Load or radius errors can cause early or late tripping of overload alarms. Accuracy of load is governed by the radius accuracy, and the extension, angle, and pressure sensors. Accuracy of radius (unloaded) is governed by the extension and angle sensors.

Ensure there are no system faults before continuing.

2.4.2.1 Check Boom Extension

1. Ensure the boom is fully retracted.
2. Ensure the reeling drum cable is correctly layered as a single layer across the extension reel surface. Any stacking of the cable will cause extension errors. This will cause the System to exceed the 0.5 ft tolerance allowed by the computer for boom mode selection. If the reeling drum cable is stacking on the reel, refer to **CHECKING THE REELING DRUM CABLE LAYERING**.

3. Check the zero of the extension sensor with the boom fully retracted. Enter the Calibration Mode and use the "SPAN" command. Select sensor No. 2 to view the extension value in feet. The value of extension must be between -0.2 and +0.2, with the boom fully retracted. If the extension value is incorrect, refer to **ENTERING THE CALIBRATION MODE**. Fully telescope the boom and ensure the displayed boom length value matches the maximum length of the boom. If the length value is incorrect, follow the EXTENSION SPAN procedure in **CALIBRATING SPAN OF EXTENSION AND ANGLE**.

2.4.2.2 Check Main Boom Radius



NOTE: The required accuracy of taped radius measurements is within 0.1 feet. When taking radius measurements use a good quality tape that does not stretch. The tape should be graduated in feet and tenths of a foot. Always measure between the swing center of the crane and the hook line, using a single part of line with the crane centered over front (rough terrain) or centered over rear (truck crane).

1. Fully retract the boom and ensure the crane configuration is correctly set up.
2. Raise the boom to about 45° and measure the radius. The measured radius must match the displayed radius within + 0.5 ft. If it does not match, refer to **CALIBRATING THE ANGLE SENSOR ZERO**.
3. Raise the boom to a high angle (at least 70°) and measure the angle with the inclinometer. Ensure the displayed angle matches the inclinometer reading within 0.2°. If the displayed angle is incorrect, follow the angle span calibration procedure in **CALIBRATING SPAN OF EXTENSION AND ANGLE**.

2.4.2.3 Check Boom Angle



NOTE: The required accuracy of measured angles is within 0.2°. When taking boom angle measurements use a good quality inclinometer. Many inclinometers are only accurate at 0° (level). Ensure the digital inclinometer is securely mounted to the boom.

1. Fully retract the boom.
2. Using an inclinometer, set the boom to 0° (zero) and ensure the displayed boom angle value is 0.0°. If the angle value is not 0.0°, refer to **CALIBRATING THE ANGLE SENSOR ZERO**.
3. Raise the boom to a high angle (at least 70°) and measure the angle with the inclinometer. Ensure the displayed angle matches the inclinometer reading within 0.2°. If the displayed angle is incorrect, refer to **CALIBRATING SPAN OF EXTENSION AND ANGLE**.

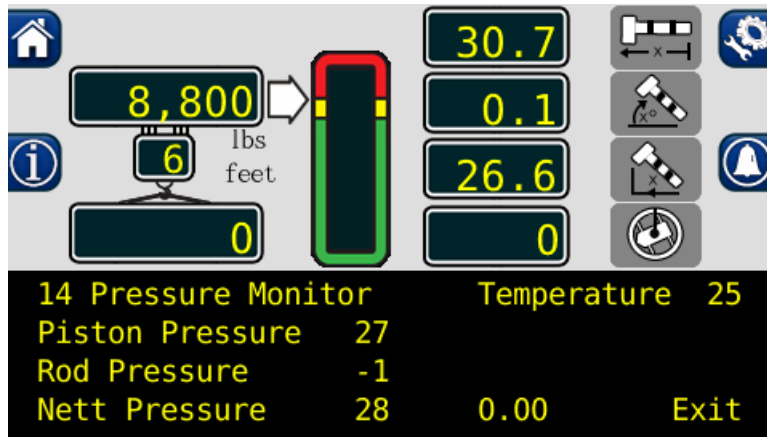
2.4.2.4 Check Pressure Sensors

There are two pressure sensors installed as part of the system. Both pressure sensors are mounted within the computer unit. One is connected to the piston side of the boom hoist cylinder via flexible hose; the other is connected to the rod side of the boom hoist cylinder via flexible hose. Both hoses are protected by velocity fuses within the boom hoist cylinder valve block on the end of the cylinder.

The pressure sensor located on the piston side, is subject to the hydraulic pressure needed to support the weight of the boom, any attachments, and the load. The pressure sensor on the rod side monitors the pressure necessary to control the down motion of the boom. The computer unit uses this information (along with other sensors such as extension, length, and angle), to compute the weight of the suspended load. The maximum continuous working pressure for the sensors is 250 bar (3625 PSI).

The pressure sensing system is calibrated at the factory. Pressure sensors may not be individually replaced. Any serious problem will necessitate changing the entire computer unit.

1. Lower the boom until the boom hoist cylinder is fully retracted and on its stop.
2. Loosen the hydraulic connections to the pressure sensors to ensure zero pressure is present on the sensors.
3. Enter the calibration mode and press “Menu Up” to access “14 PRESSURE MONITOR” to view both sensor pressures and net pressure.
4. Check the pressure values of both sensors. The pressure values should be between -75 and +75 PSI. If not, replace the computer unit.
5. Check the net pressure values of both sensors. This should be between -35 and +35 psi. If not, replace the computer unit.



WARNING!

BOTH PRESSURE SENSORS ARE PRE-CALIBRATED FROM THE FACTORY AND SUPPLIED AS PART OF THE COMPUTER. THE PRESSURE SENSORS MAY NOT BE REPLACED. REMOVAL OR REPLACEMENT OF THE PRESSURE SENSORS FROM THE COMPUTER INVALIDATES THE WARRANTY AND WILL ADVERSELY AFFECT THE PRESSURE CALIBRATION.

3.1 Computer Unit Overview

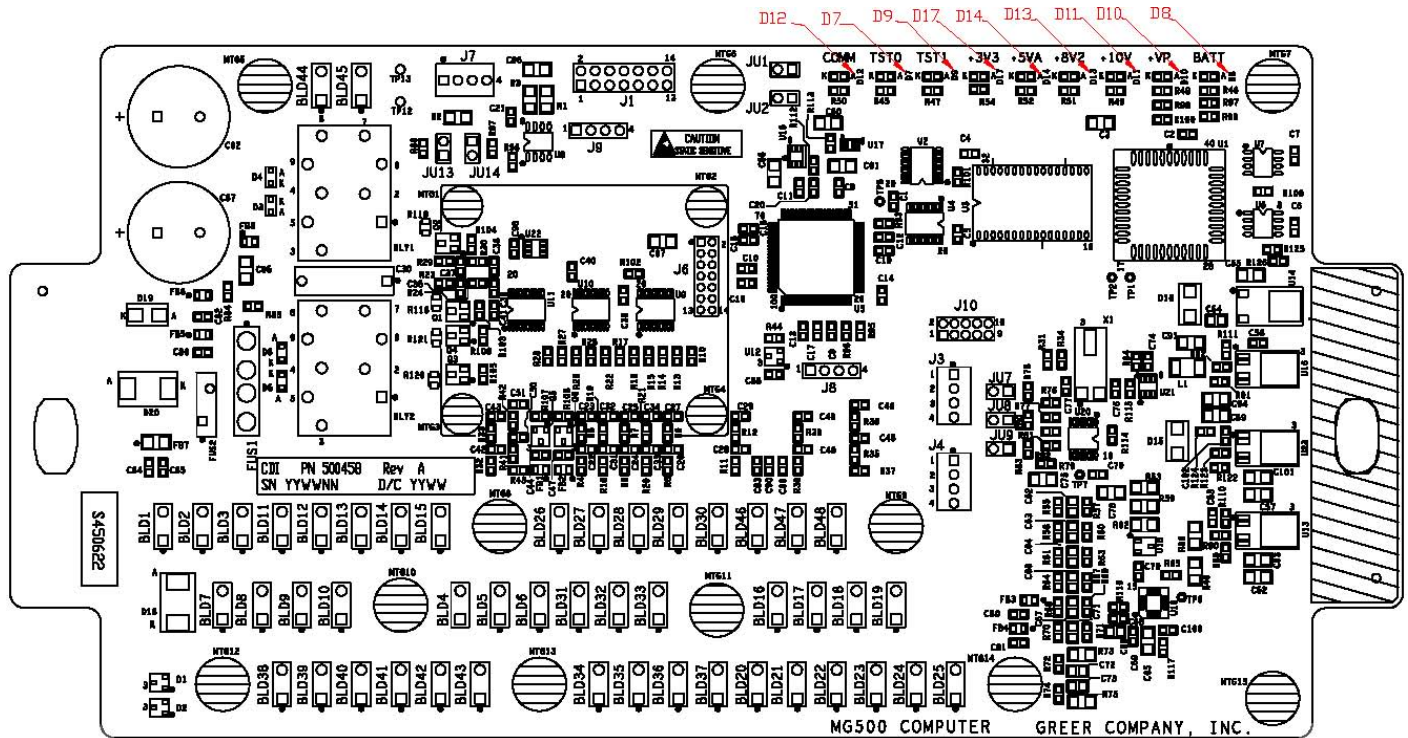
The computer unit is the center of the system. It reads the sensors, controls computations and disconnect functions, and communicates with the display console/internal bar graph.

Two hydraulic pressure sensors are contained within the unit. These sensors, as well as the computer are factory pre-calibrated as a unit and may not be replaced in the field.

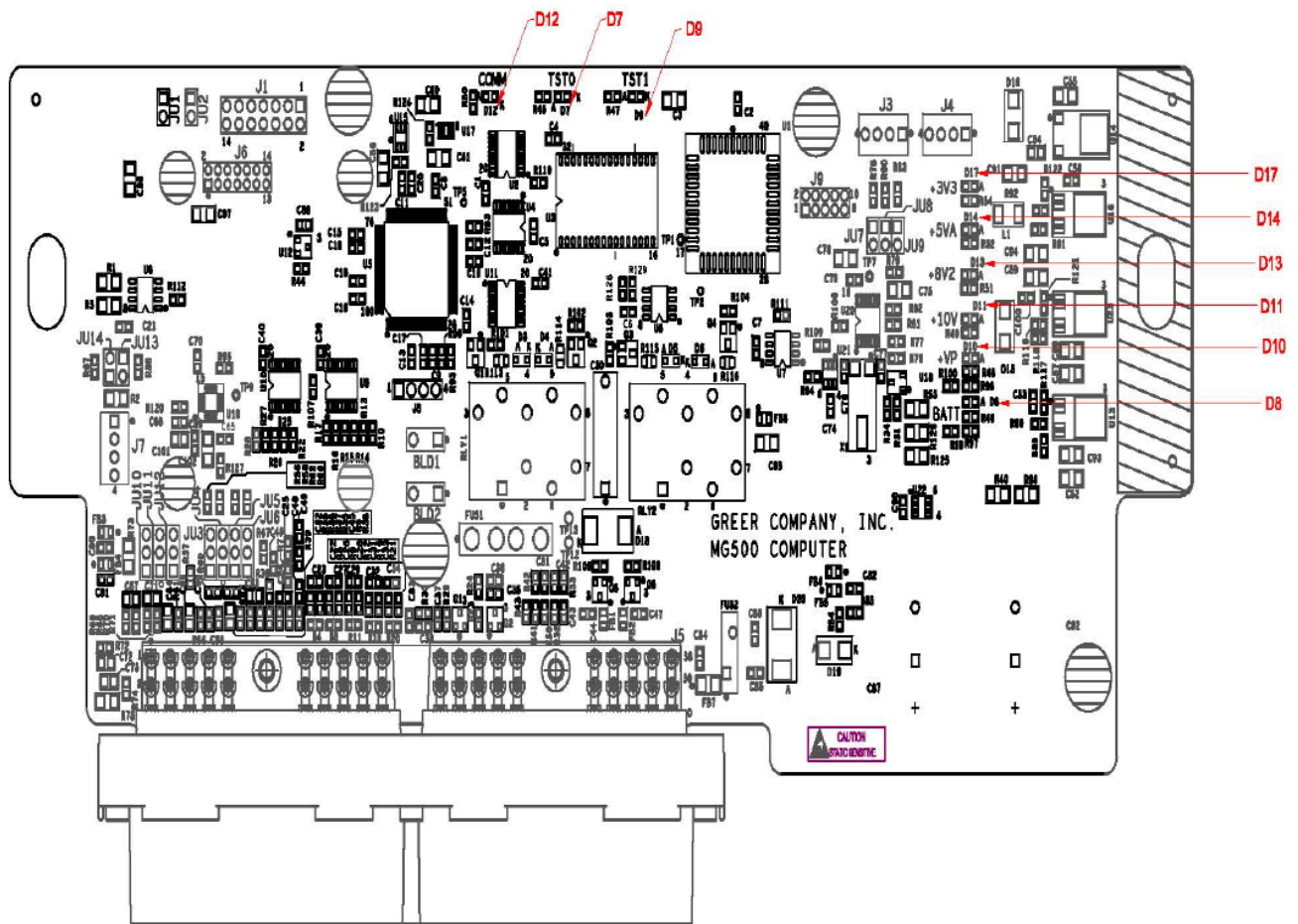
3.2 Computer Unit Layout



NOTE: Due to differences in computer unit configurations, the locations of board components may vary.



Blade Style Computer



Metri-Pack Style Computer

3.3 Internal Status Indicators

The computer unit contains a row of LED indicators for checking computer operation. During normal operation, all LEDs will be illuminated with the COMM indicator blinking. If not, please contact Technical Support for assistance. Use the following chart and preceding images for LED location.

LED Indicator	Function
D7	Communication Indicator TST0
D8	Battery Power_POS
D9	Communication Indicator TST1
D10	+VP
D11	+10V
D12	COMM (Communication Indicator)
D13	+8V2
D14	+5V
D17	+3V3

3.4 Function Kickout Fuse (Fus1)

The computer unit contains a standard 10 amp replaceable fuse. The fuse protects the function kickout circuit and relay contacts, if a short circuit occurs across the crane kickout solenoids. Replace the fuse, if the system error codes indicate that the function kickout power feed is missing. Ensure the crane circuit breaker is closed and power from the crane is present.



NOTE: Prior to replacing the fuse, ensure any electrical shorts which may have caused the failure of the original fuse have been removed.

3.5 Replacing the Computer Unit

COMPUTER REMOVAL

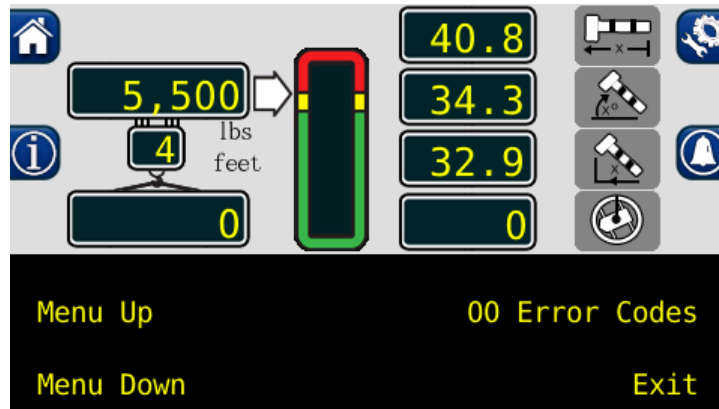
1. Lower the boom until the boom hoist cylinder is completely retracted and on its stop or the boom is firmly in the boom rest.
2. Disconnect the hydraulic connections at the computer unit.
3. Disconnect both electrical connectors at the computer unit.
4. Remove the hardware securing the computer to the cab wall.

COMPUTER INSTALLATION

1. Secure the computer unit to the cab wall with the mounting hardware.
2. Ensure the electrical connections face downward.
3. Connect the electrical connectors.
4. Remove the protective caps from the hydraulic ports.
5. Connect the base-side pressure (green band) hose to the piston pressure port.
6. Connect the rod-side pressure (red band) hose to the rod pressure port.

4.1 Display Console Overview

The Display Console allows the user to see the crane values and crane configuration selection. The display also provides calibration functions used for testing and fault diagnosis.



4.2 Checking the Display Console

When operated under extreme conditions the console can become damaged. The damage is not always apparent. To help identify subtle faults that are sometimes difficult to find, please review the Sections 4.3 through 4.6.

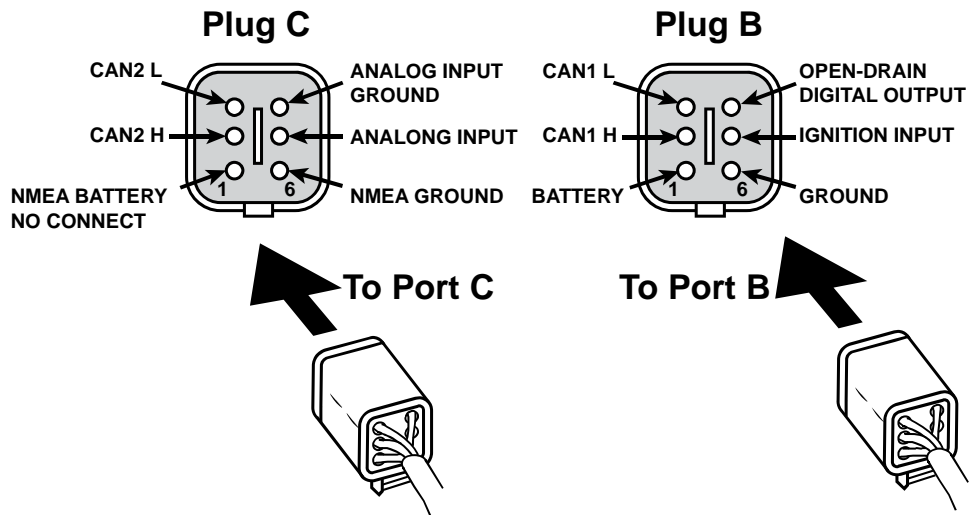
4.3 Unresponsive Buttons

All button options are not available for use at all times. It is important to verify that the non-responsive button:

- Is programmed to respond during the operation of the system.
- Being pressed in the center, pressing the printed symbol 'at one end' may not activate the switch underneath.
- Is not damaged or has a surface that is worn which may cause the switch underneath to operate improperly. In this case, refer to **REPLACING THE DISPLAY CONSOLE**.

4.4 Connectors

There are four, 6-pin Deutsch connectors on the rear of the Insight.



4.5 Horn

Ensure the horn is connected to the wiring harness via the two-pin Deutsch connector.

4.6 Moisture

The display console conforms to IP67 in protection against dust and water, when correctly installed.

4.7 Replacing the Display Console

REMOVAL

1. Disconnect the electrical cable from the rear of the Operator's Display Console.
2. Remove the knob on each side of the console and retain for future use.
3. Remove the defective display console from the bracket in the cab.

INSTALLATION

1. Put the Operator's Display Console on the bracket located in the cab, by positioning it between the bracket legs.
2. Insert and tighten the knob on each side of the console.
3. Connect the electrical cable to the rear of the console.

5.1 Calibration Mode

The Greer Insight system is an aid to crane operation. Use this system with an operator trained in safety guidelines, crane capacity information, and the crane manufacturer's specifications.

When the computer is new, it has no zero or span calibrations. It is necessary to enter zero and span settings for accurate length and angle calculations.

TOOLS NEEDED:

- Digital level accurate to 0.1°
- 150-200ft. tape measure graduated in tenths of a foot
- Digital multimeter

PRE-REQUISITES FOR CALIBRATION

- The crane must be properly set on level ground per the manufacturer's specifications.
- Maximum boom height will be needed. It is necessary the area is free of overhead obstructions.
- All options such as jibs, fly's, and auxiliary heads must be configured in the computer.

5.2 Entering the Calibration Mode

Follow these steps to ensure proper calibration. The actual crane setup must be reflected on the display. Check the **Greer Insight Operator's Manual** for proper setup of the display unit.

1. To enter Calibration Mode, the display must be in "Normal Operating" mode.
2. Press and hold the buttons shown simultaneously until the display prompts the user for the security code.



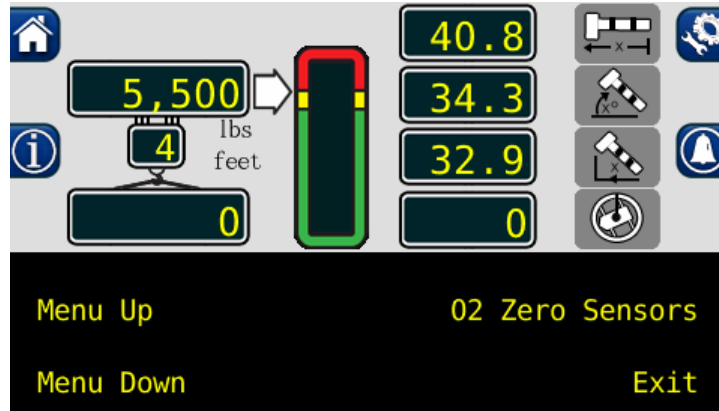
3. Enter the Security Code within 5 seconds, or the system will revert to the "Normal Operating" mode. The numbers in parenthesis indicate the proper order to press the buttons.



5.3 Calibration Menus

After entering the calibration menu, press the “Menu Up” button until “02 Zero Sensors” is reached.

Scroll through the menu options by pressing the “Menu Up” or “Menu Down” buttons. To select an item, press the button adjacent to the menu listing as shown in the example.



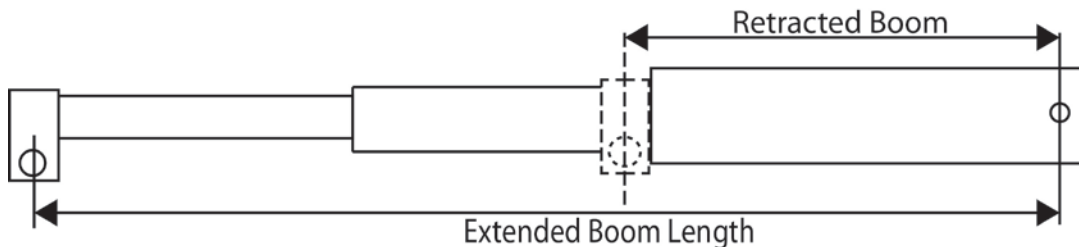
The main menu items used to calibrate the system are:

- 02 Zero Sensors
- 03 Span Sensors
- 04 Swing Potentiometer

The only calibrations needed are for the boom extension function and the boom angle function. They must be properly set to zero. On machines with string potentiometer style outrigger position sensors, if a sensor is replaced, it will need to be calibrated. Refer to **CALIBRATING THE OUTRIGGER POSITION SENSOR**.

The system is also equipped with a swing potentiometer. This is designed to track the turret in relation to the chassis.

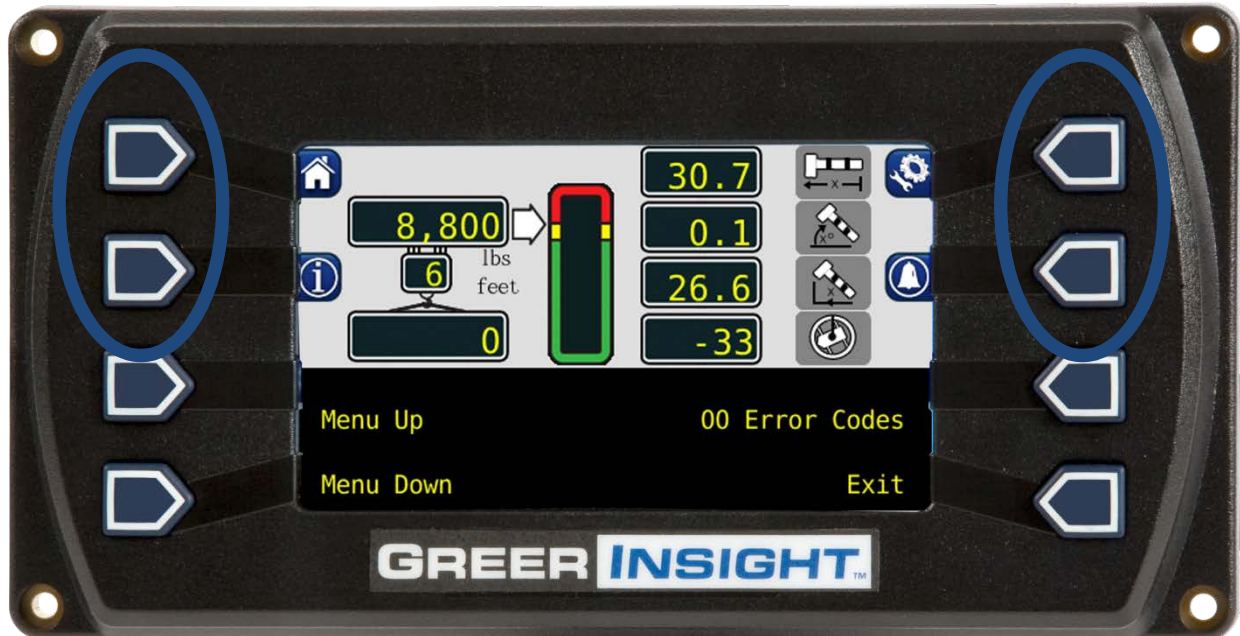
Boom extension and angle readings are dependent on the correct span values to be entered into the system. These span values are determined by using a digital level on the boom angle, and measuring the span of boom extension.



$$\text{Extended Length} - \text{Retracted Length} = \text{Span}$$

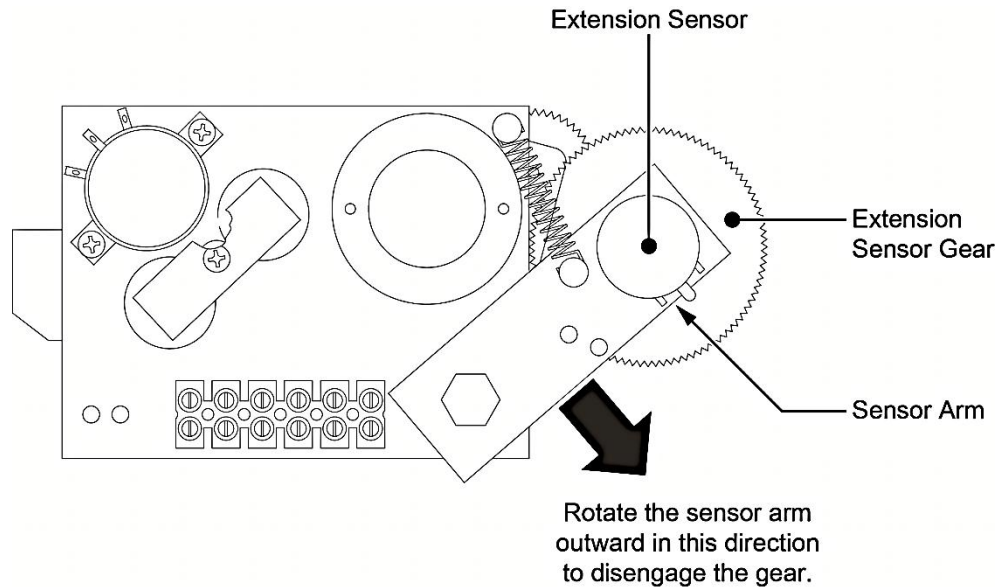
Inactive Buttons During Calibration Mode

Please note the following buttons are inactive when in the Calibration Mode. The functionality of the buttons will return when the display is no longer in the Calibration Mode.

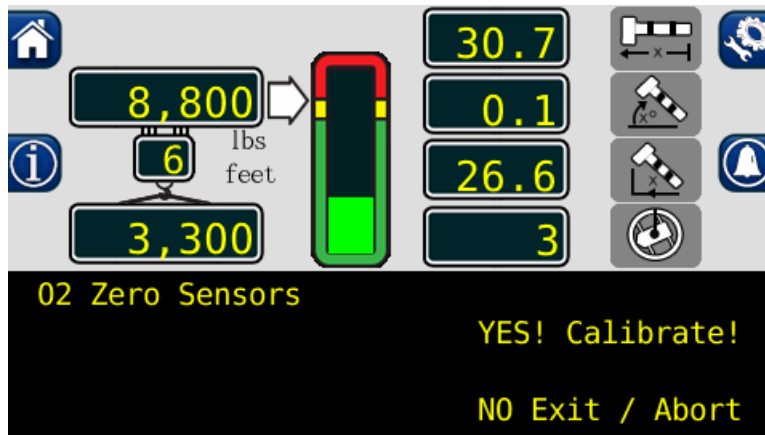


5.4 Calibrating the Extension Sensor Zero

1. Fully retract and lower the boom to 0.0. Verify using a digital level.
2. Remove the reeling drum cover to expose the baseplate sensory assembly.
3. Rotate the extension sensor gear clockwise until the clutch drags/clicks, and rotate a ½ turn counterclockwise.
4. The voltage reading between the blue wire TB1-1 and the white wire TB1-3 on the terminal block should measure 0.15 to 0.35 volts. If outside this voltage, rotate the gear to attain proper voltage with the boom fully retracted.



5. Press the "Menu Up" button until "02 Zero Sensors" is reached.
6. Press the "02 Zero Sensors" button.
7. Press the "Zero No. 2 =" and you will be prompted with "Yes! Calibrate!" Press the button a second time to calibrate the Zero.

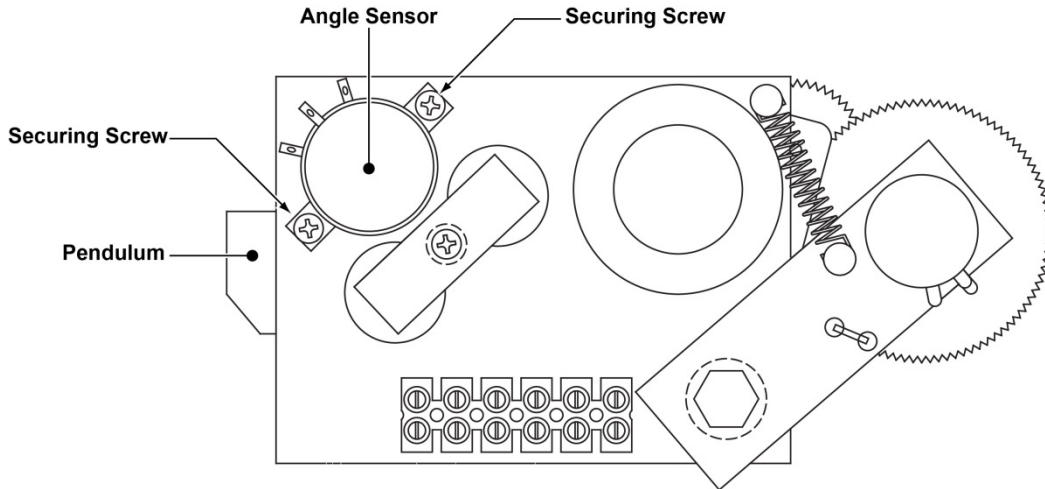


8. The display will then read "Zero No. 2 = 0". The retracted boom length will be displayed in the boom length window. Extension sensor zero calibration is complete.

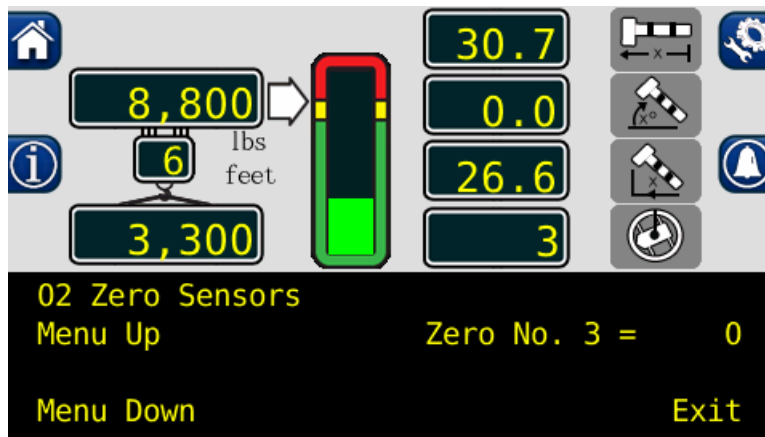
5.5 Calibrating the Angle Sensor Zero

The angle sensors are preset to zero on the potentiometer before leaving the factory. If the potentiometer is disturbed, the zero setting can be affected. If this happens, the angle sensor will be inaccurate.

If the factory setting has been disturbed, reestablish it by loosening the attaching screws, and rotating the pot until the desired voltage reading is attained.



1. Place the boom at 0.0 degrees. Verify using a digital level.
2. Check the voltage between TB1-1 and TB1-2. It should measure between 0.400 and 0.600.
3. Enter the "02 Zero Sensors" menu.
4. Press the "Menu Up" button to display "Zero No. 3 = 0." The calibration screen and boom angle window should read "0".



5. Press the "Zero No. 3 =" and you will be prompted with "Yes! Calibrate!" Press the button a second time to calibrate the zero. The angle sensor zero routine is complete.

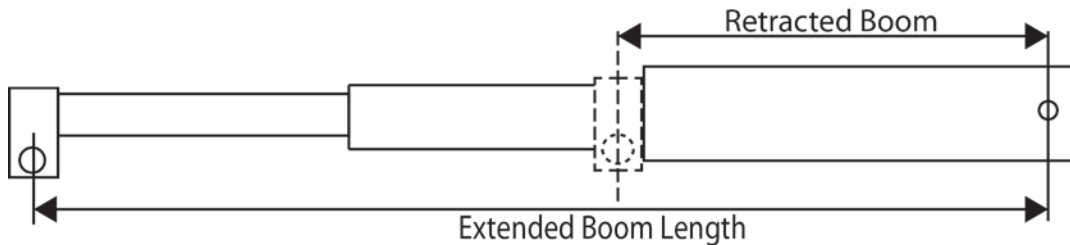
5.6 Calibrating Span of Extension and Angle

WARNING!

THE AREA OVERHEAD ABOVE THE CRANE MUST BE CLEAR OF OBSTRUCTIONS PRIOR TO CALIBRATING SPAN OF EXTENSION AND ANGLE!

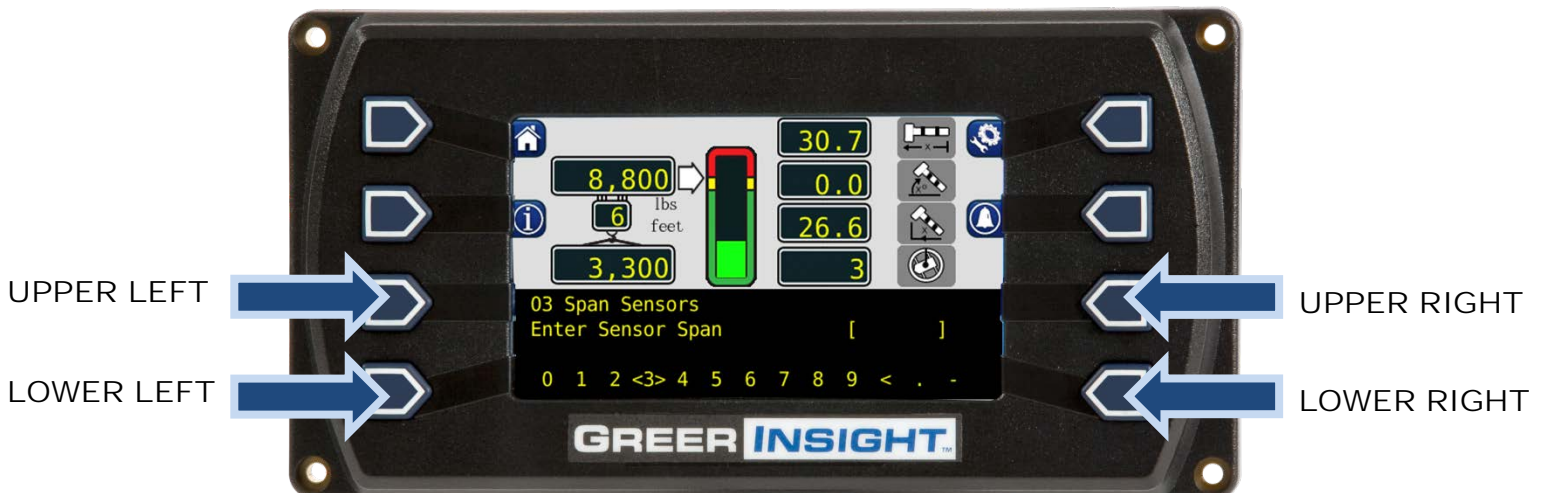
In order for the system to properly calculate the boom length and the boom angle, the "Span Number" must be entered into the system. Obtain the span number with the following steps:

1. Measure the boom from the base foot pin to the center of the head sheave pin. Record this measurement.

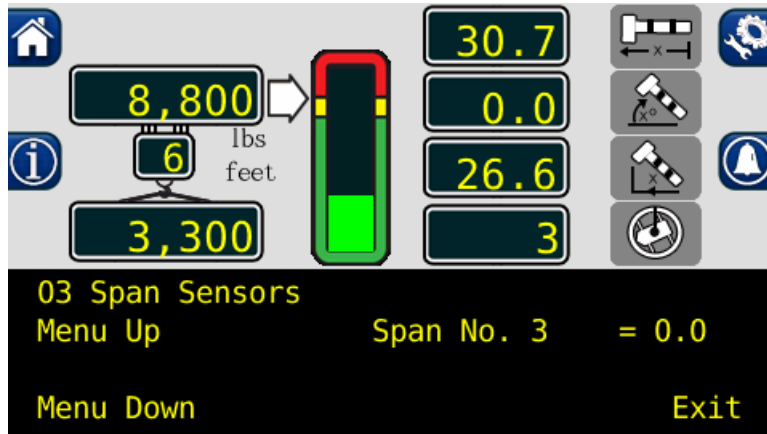


$$\text{Extended Length} - \text{Retracted Length} = \text{Span}$$

2. Raise the boom to between 60-65° and fully extend the boom. Record the measurement from the digital level, for entry into the system later in this procedure.
3. From the main screen, press the "Menu Up" button until "03 Span Sensors" and press the button.
4. Press the "Span No. 2 = X.X" button.
5. Press the button again to be prompted with "Yes Calibrate" or "No, Exit/Abort". Press the "Yes! Calibrate!" button.
6. Use this screen to enter the span (Extended Length – Retracted Length = Span).



7. The lower left and lower right buttons are used to select the number. The number inside the brackets is the current selection, in the above image, the number 3 is between the brackets.
8. Use the upper left button to enter the numbers, one at a time.
9. When the number is entered, press the upper right button to enter the number into the system memory. Span of extension is now complete.
10. Press the “Menu Down” button to display “Span No. 3 = xx.xx”.



11. Press the “Span No. 3 = xx.xx” button.
12. Press the “Yes! Calibrate!” button.



13. You will be prompted with the same screen from step 6. Use this screen to enter the span of angle measurement from the digital level.
14. This calibration routine is now complete. Press the “Exit” button to return to the calibration menu.

5.7 Calibrating the Swing Potentiometer

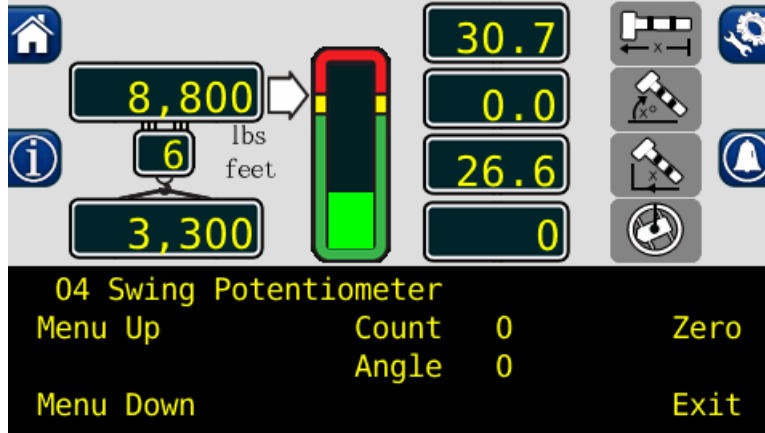
After completing the extension and angle span, exit back to the main calibration screen. Press the “Menu Up” button until “04 Swing Potentiometer” is reached. This menu will allow a 0.0 point to be set on the swing circle and a direction for the system to track the rotation angle.

1. The swing must be in the stowed position and the house lock engaged.



NOTE: Inaccuracy in the swing zero setting may result in the loss of load chart for pick and carry.

2. Press the “Zero” button to zero the swing potentiometer.



3. The swing sensor is now zeroed.

5.7.1 Calibrating Swing Direction

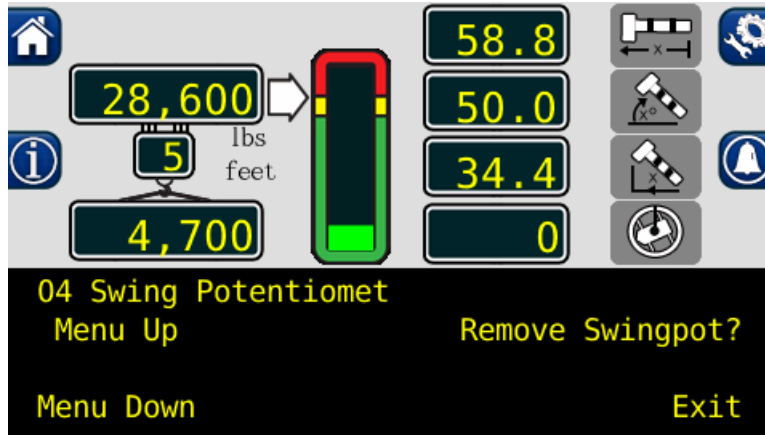
The swing potentiometer supplies data for either direction. For consistency, the swing should count upwards (0, 1, 2, 3, etc.) when rotating clockwise. The direction of the swing can be changed while using the Greer Insight display.

When the zero is calibrated and the swing direction is wrong, press the “Menu Up” button twice. Press the “Direction = ‘-’” button to reverse the direction.



5.7.2 Cranes with Swing Switches

1. Enter the Calibration Mode and press the “Menu Up” button to “04 Swing Potentiometer”.
2. Enter the “04 Swing Potentiometer” menu and press the “Menu Up” button until the “Remove Swingpot?” option is displayed.



3. Press the “Remove Swingpot?” button.
4. The crane will now use the swing switches.

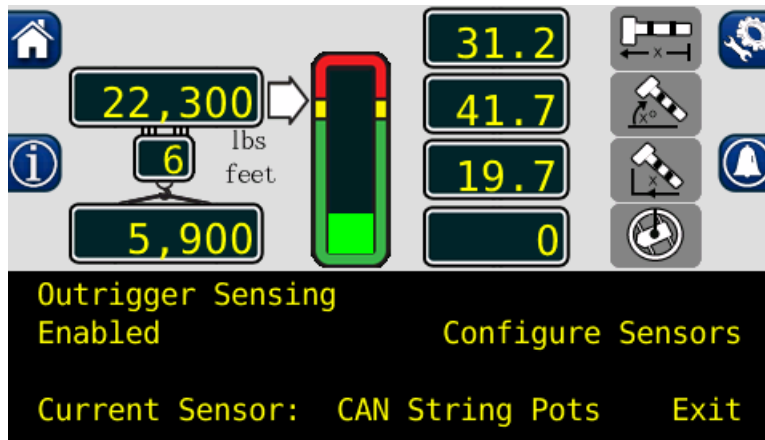
5.8 Calibrating the Outrigger Position Sensor

If an error code is displayed for a particular outrigger sensor, contact service for assistance.

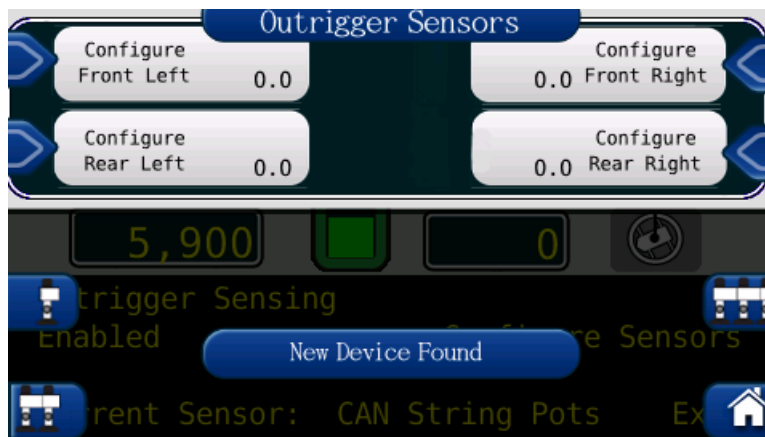
For cranes with digital switch outrigger position sensors, contact service for assistance. No calibration is needed.

When directed by service to replace the string potentiometer outrigger position sensors, calibration is needed.

1. Enter the outrigger sensor calibration menu.
2. In the lower left portion of the screen, “Current Sensor: = CAN String Pots” will be displayed. If this is not correct, press the button once to toggle to “Current Sensor: = CAN String Pots”.

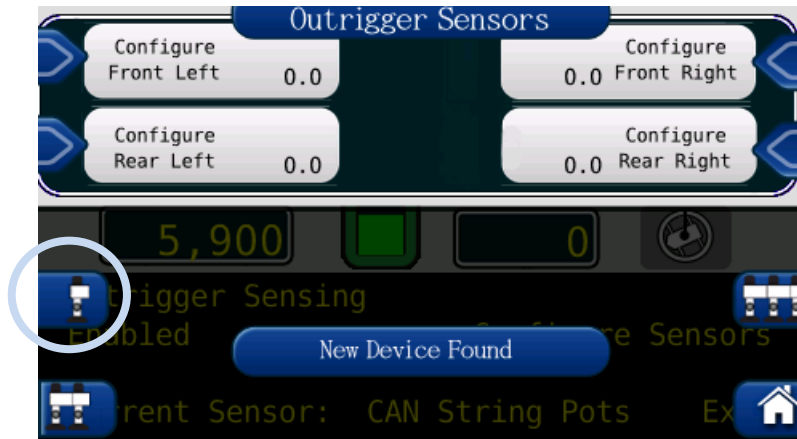


3. Press the “Configure Sensors” button.
4. Install the outrigger position sensors one at a time.
 - a. Install the front left string potentiometer. “New device found” will appear on the display.

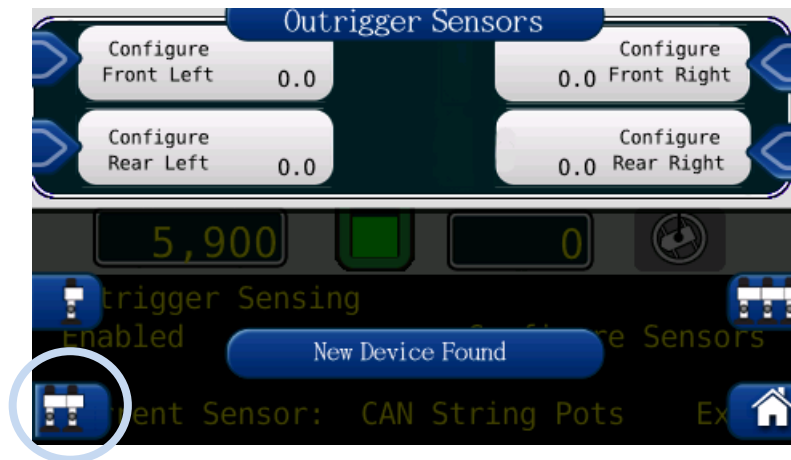


- b. Press the “Configure Front Left” button to identify the new sensor location in the computer.
- c. Repeat this for the three remaining sensors, pressing the configure button that corresponds to the sensors location.
- d. The message will change from “Configure” to “Reset” when calibration is finished.

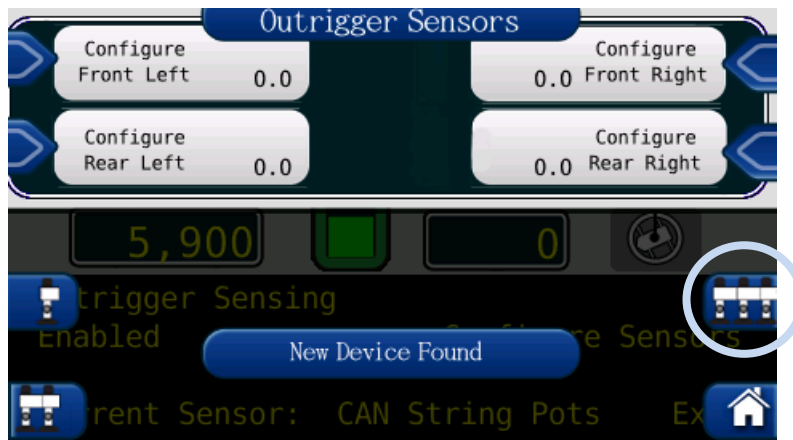
5. With all sensors installed, ensure the outriggers are in the fully retracted position. Press the fully retracted position button to set the retracted position in the computer.



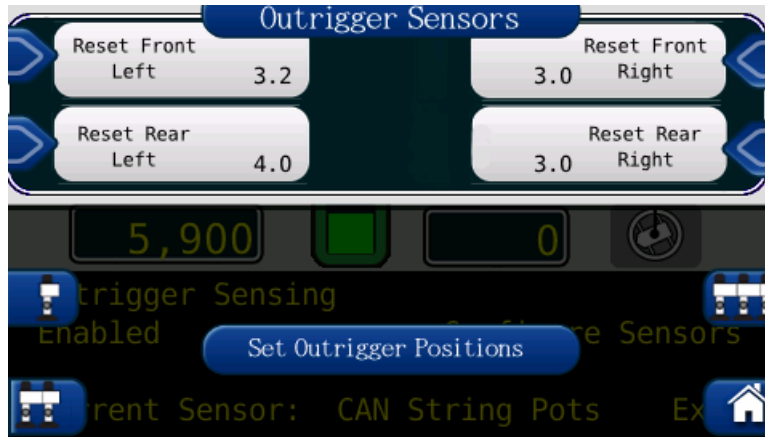
6. Move the outriggers to intermediate position and press the corresponding button to set the intermediate outrigger position.



7. Move the outriggers to fully extended position and press the corresponding button to set the fully extended outrigger position.



8. The outrigger position sensors are now calibrated.



5.9 After the Calibration Routine

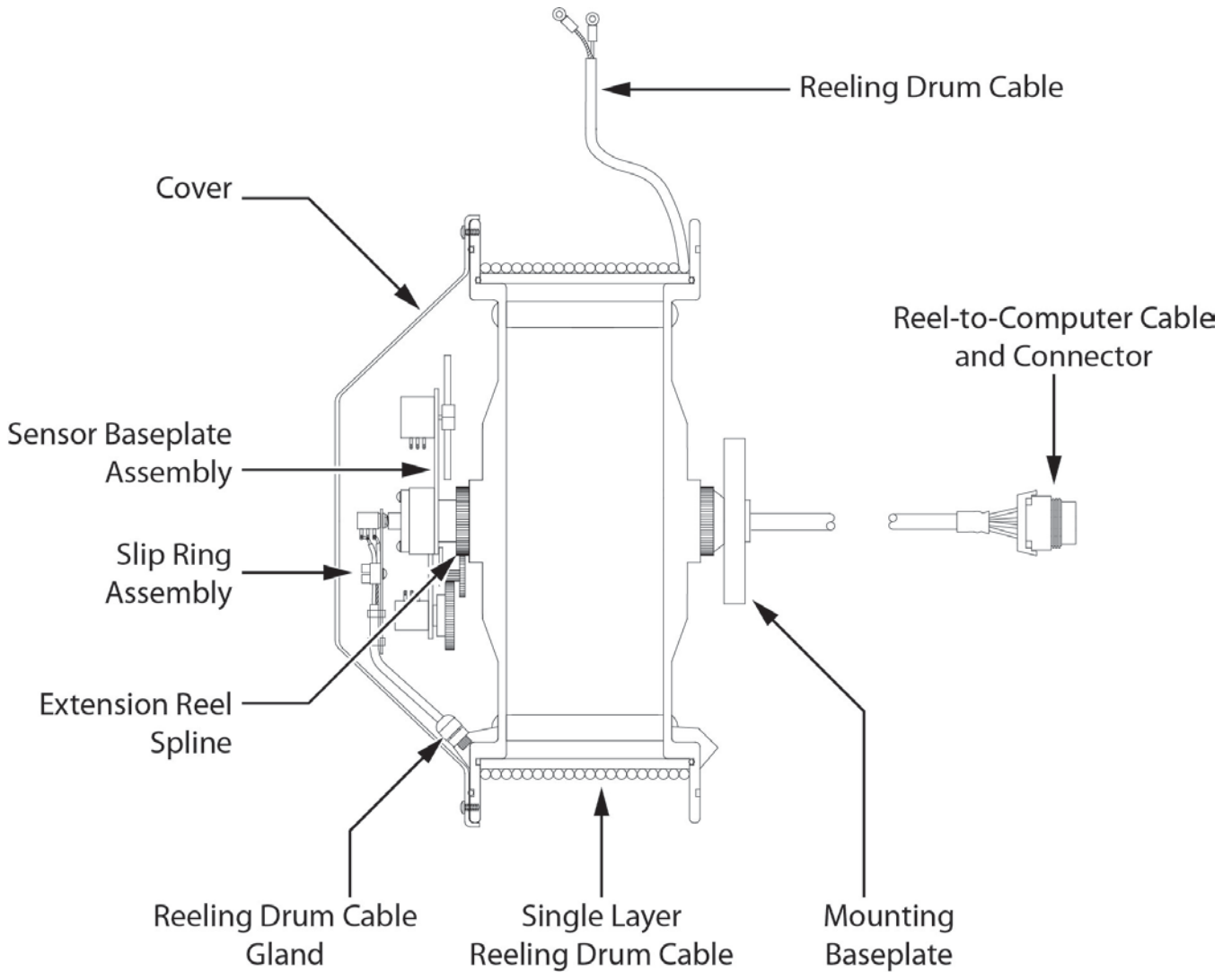
When the calibration routine is complete, thoroughly test the unit to ensure the radius on the unit is accurate to + .5 of a foot.

In order to perform load testing, a known weight is necessary. Perform testing from 2-3 different boom angles, as well as extensions.

The load shown must be within +10% when testing. If the load is outside these limits, the calibration should be rechecked for accuracy.

6.1 Reeling Drum Overview

The primary operation of the reeling drum is to measure the extension of the telescoping sections of the main boom. The reeling drum also includes an angle sensor to measure the main boom angle along with an electrical slip-ring which transfers the two-block signal from the reeling drum cable to the system computer. It is important the setup these devices is performed correctly. Incorrect maintenance can result in system calculation errors.



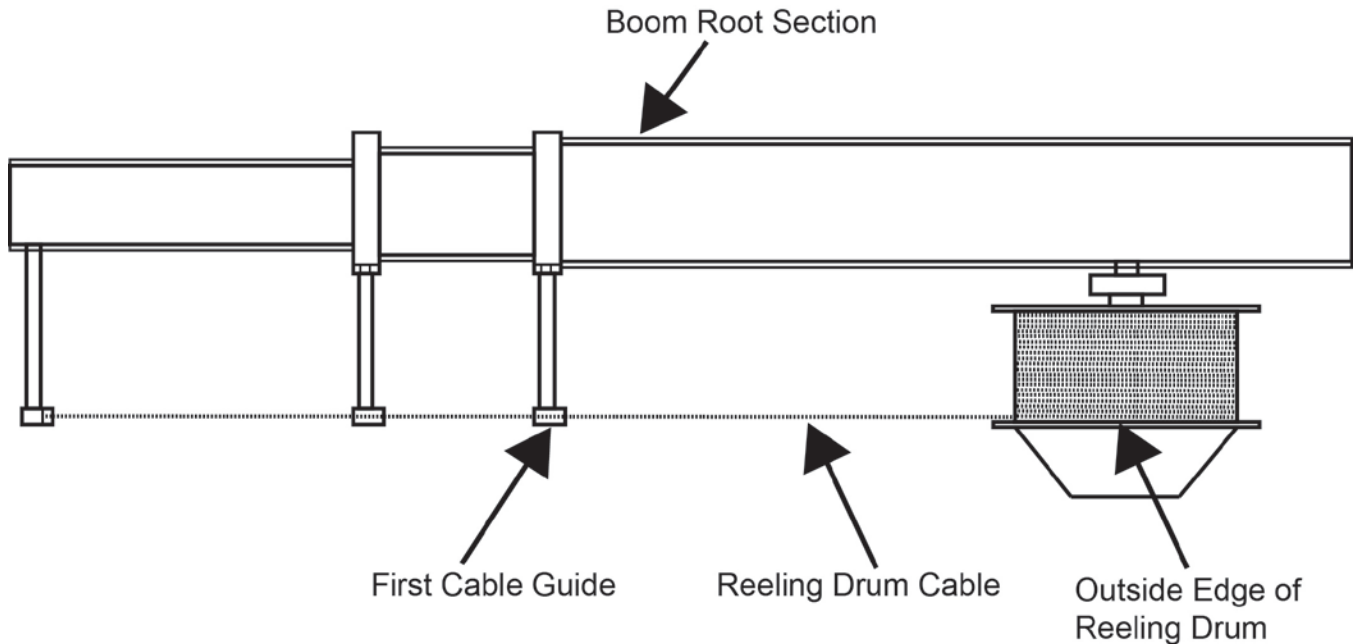
6.2 Checking the Reeling Drum Cable Layering

The extension reel is designed to provide accurate measurement of boom extension. To provide accurate measurement, the reeling drum cable must form a single flat layer across the surface of the extension reel as the boom is telescoped in and out. Any stacking of the cable will cause extension errors as the boom retracts.

1. Telescope the boom fully out and then fully in.
2. Ensure the reeling drum cable forms a flat single layer across the surface of the extension reel, with each successive turn of cable lying next to the last.



NOTE: If any stacking or build up of the cable occurs, ensure the first cable guide at the top of the boom root section is correctly aligned with the outside edge of the extension reel. Clean the reeling drum cable and lubricate it with a silicone spray.



6.3 Sensor Baseplate Assembly

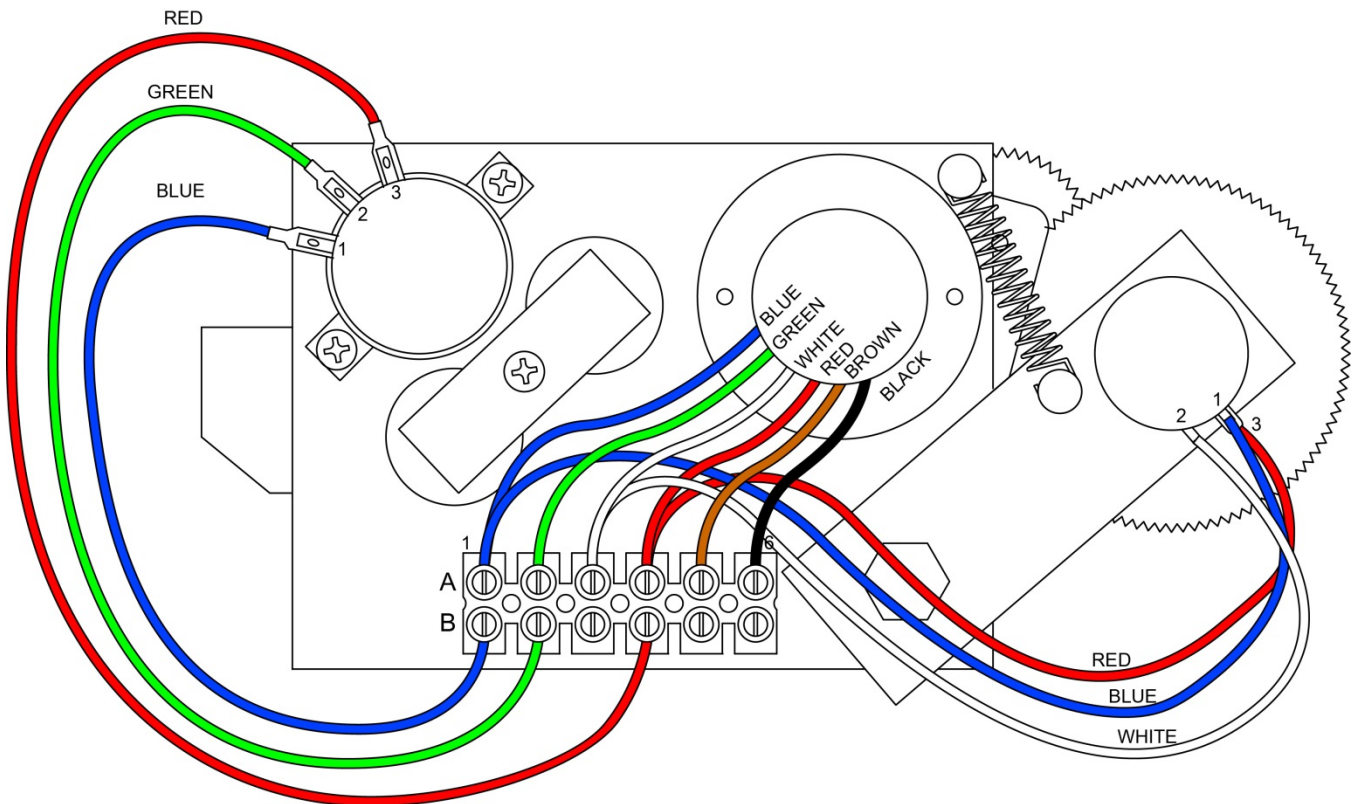
The sensor baseplate assembly supports and connects the extension and angles sensors. It also supports the two-block switch signal and signal cable to the computer.

Electrical or mechanical failure of either the angle sensor or the extension sensor potentiometers cannot be repaired in the field. The angle sensor pendulum is factory set on the potentiometer shaft and the extension potentiometer gear contains a protection clutch which is difficult to replace in the field. In the event of failure of either item, replace the entire sensor baseplate assembly.

The terminal block (TB1) mounted on the assembly provides wiring connection for all internal parts of the reeling drum and Reel-to-Computer cable. Most electrical diagnoses of the boom sensors can be made at this terminal block.

If problems occur with the two-block alarm operation, angle, or extension sensor, refer to the following chart. Follow the Boom Position/Action column before performing any voltage checks. Measure all voltages with a digital voltmeter set to DC volts range.

SIGNAL	BOOM POSITION/ ACTION	VOLTAGE		VOLTMETER CONNECTION	
		MIN	MAX	RED (+)	BLACK (-)
SENSOR DRIVE	-	+4.7V	+5.3V	RED	BLUE
ANGLE SENSOR OUTPUT	0 degrees	0.4V	0.6V	GREEN	BLUE
EXTENSION SENSOR OUTPUT	0 ft. FULL RETRACTED	0.15V	0.35V	WHITE	BLUE
TWO-BLOCK DRIVE	A2B WEIGHT DOWN	5.5V	7.5V	BLACK	BLUE
	A2B WEIGHT UP	9.5V	10.5V	BLACK	BLUE
TWO-BLOCK SIGNAL	A2B WEIGHT DOWN	5.5V	7.5V	BROWN	BLUE
	A2B WEIGHT UP	0V	2V	BROWN	BLUE



6.4 Anti-Two-Block Function Overview

The computer supplies a protected positive feed to the Anti-Two-Block switches at the boom/jib head via the extension reel signal cable, slip-ring, and reeling drum cable. With the Anti-Two-Block weight hanging freely on the switch, the switch contact is closed and the signal return to the computer is high. When the weight is lifted by the hook block, the switch contact is opened, and the computer will sense a low signal input from the A2B signal return.

Since the computer checks the protected feed voltage internally, the system is capable of detecting a short circuit of the feed (or the ATB signal return when the switch is closed) to the crane chassis. Fault codes are defined in **FAULT REPORTING AND FAULT CODES**.

Most problems with the ATB circuit may be identified through inspection of cables, switches, and the reeling drum. Damage to these parts may result in continuous or intermittent A2B alarms.

6.5 Checking the Reeling Drum Cable

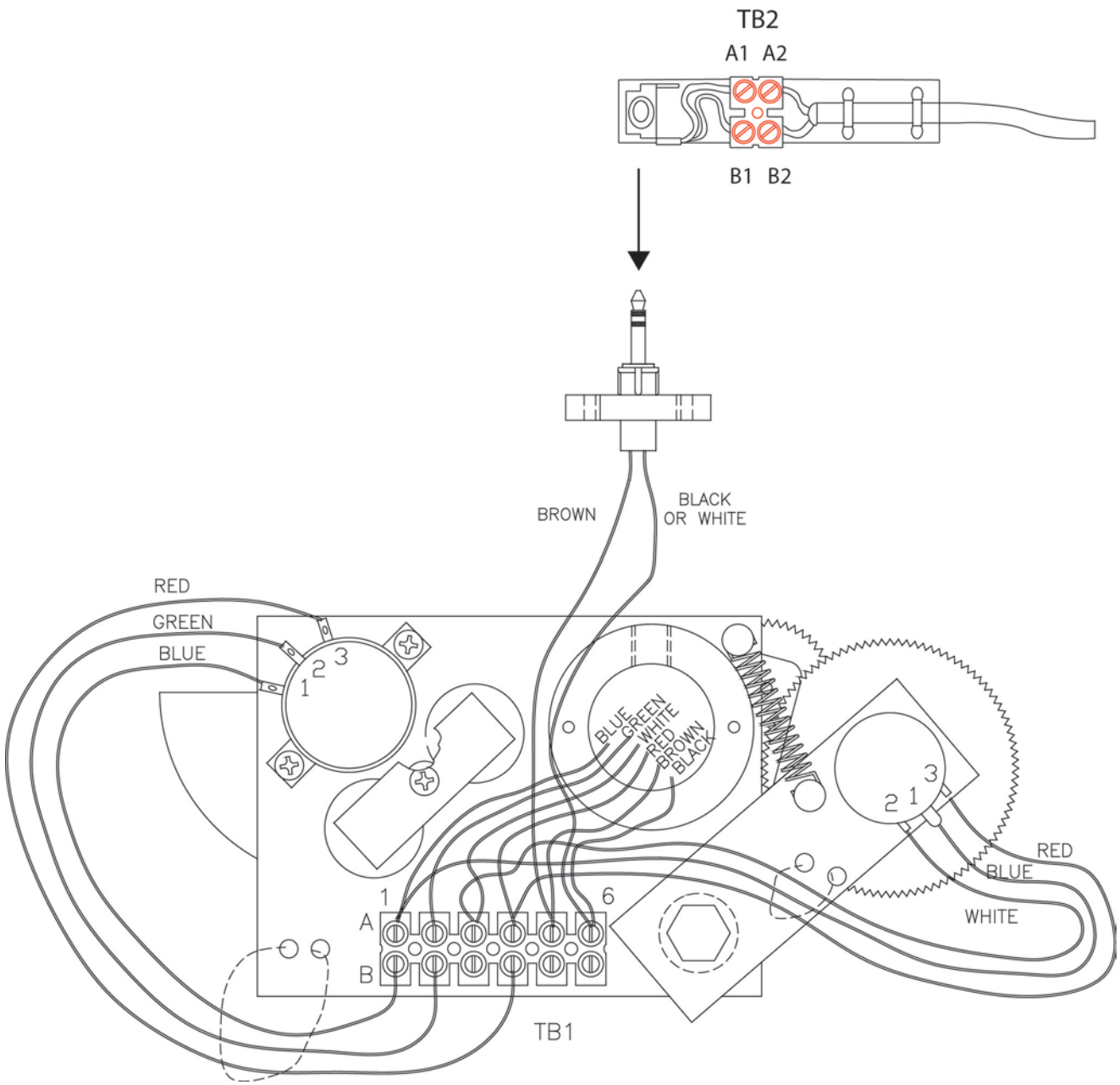
The outer braid of the cable carries the Anti Two-Block feed to the switches. If the cable sheath is damaged, this may cause a short circuit to the boom/chassis and indicate a fault code of “B008” (Refer to **GROUP “B” FAULT CODES**). The same fault code will be indicated if the A2B switch is closed and the inner core of the cable is shorted to the chassis at some point in the wiring.

1. Carefully inspect the reeling drum cable for wear.
2. Check for signs of damage to the outer sheath of the cable.
3. Check for any signs of severe “kinking” or crushing of the cable.

6.6 Checking the Anti-Two-Block Circuit

Before continuing, ensure the connectors are correctly connected to the A2B switches at the boom head/jib. This procedure checks the ATB circuit when no power is applied to the circuit, use the diagram on the following page.

1. Remove the extension reel cover.
2. Disconnect the slip-ring arm from the plug by pulling it away from the center of the reel.
3. Close the A2B switch at the boom head by suspending the weight from it or pulling on the chain.
4. Measure the resistance between TB2-1 & TB2-2 terminal connections on the sensor arm.
5. With the A2B switch closed, the resistance should be less than 300 ohms. If not, inspect the reel-off cable, A2B switch, and the boom head connectors for an open circuit.
6. Open the A2B switch at the boom head by lifting the weight.
7. Measure the resistance between TB2-1 & TB2-2 terminal connections on the sensor arm.
8. With the A2B switch open, the resistance should be greater than 10,000 ohms. If not, inspect the reel-off cable, A2B switch, and the boom head connectors for a short circuit.



7.1 WAD/ISS

Overview

The WAD/ISS (Work Area Definition/Integrated Swing Sensor) incorporates a sensor housed in the swing drive of the crane that measures the angle of the upper structure of the crane relative to its carrier. The sensor measures the angle by counting electronic pulses on the target gear relative from the zero point (set by the operator in either a positive or negative direction). The conditioning box translates the signal so it can be processed by the computer and shown in the information window of the display console.



WAD/ISS Conditioning Box

The advantage of the WAD/ISS over a typical swing potentiometer is the swing potentiometer is housed in the collector column and maintenance and/or removal is difficult. The WAD/ISS is a small unit mounted directly onto the swing drive and is easily accessible.

During normal operation, faults detected with the WAD/ISS will be shown on the display unit. During such fault conditions the red "Overload" LED will flash accompanied by an intermittent audible beep. Additionally, the swing angle window will display "ERROR" as well as the information window showing an error condition message. All swing related operator alarms, work area alarms, etc, will be displayed.

7.2 WAD/ISS Troubleshooting Table

Error Message / Problem	Cause	Correction
<p>“SWING SENSOR SIGNAL 1 ERROR!”</p> <p>“SWING SENSOR SIGNAL 2 ERROR!”</p> <p>“SWING SENSOR ERROR!”</p> <p>“SWING SENSOR LOGIC REPORT!”</p>	<p>Cable from sensor to condition box disconnected.</p> <p>Cable from sensor to conditioning box grounded.</p>	<p>Replace sensor.</p>
<p>“SWING SENSOR COMMS ERROR!”</p>	<p>Cable from conditioning box to computer disconnected at computer or conditioning box.</p> <p>Cable from condition box to computer grounded.</p>	<p>Check cable.</p> <p>Check connection at conditioning box and computer.</p> <p>Replace cable.</p> <p>If display shows load, angle, radius, etc, replace the conditioning box.</p>
<p>Intermittent, inaccurate, or no output activity</p>	<p>WAD/ISS too far from target within swing drive.</p> <p>WAD/ISS sensor too close to target within swing drive.</p> <p>WAD/ISS not responding normally but drawing normal current and providing normal outputs.</p> <p>WAD/ISS disconnected from computer.</p>	<p>Check sensor and sensor connection.</p>

7.3 Replacing the Swing Sensor



Swing Sensor Removal

1. Place the boom in the rest (stowed position).
2. Turn off the power to the crane.
3. Disconnect the sensor cable from the conditioning box.
4. Loosen the sensor retaining nut.
5. Remove the sensor from the swing drive housing.

Swing Sensor Installation

1. Insert the threaded end of the sensor into the sensor port of the swing drive and screw it in until the end of the sensor contacts the gear inside the swing drive housing. Do not force the sensor any farther past this point.
2. Note the location of the index notch on the sensor. Rotate the sensor counterclockwise a $\frac{1}{2}$ turn. (Illustrations on next page.)
3. Note the position of the index notch on the sensor and continue to rotate counterclockwise until the index notch reaches the 'three o'clock' or 'nine o'clock' position.
4. If the initial 180° turn puts the index notch on the 'three o'clock' or 'nine o'clock' position, continue to rotate counterclockwise until the next 'three o'clock' or 'nine o'clock' position is reached.
5. For calibration instructions, refer to **Swing Sensor Setup**.

7.4 Replacing the Conditioning Box

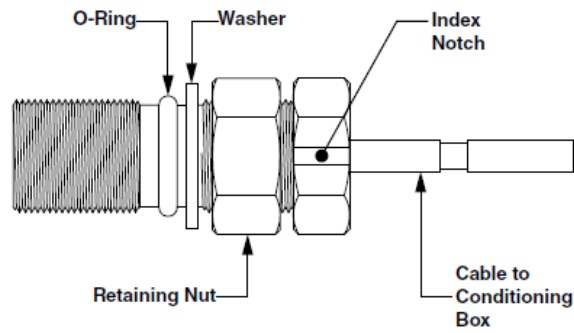
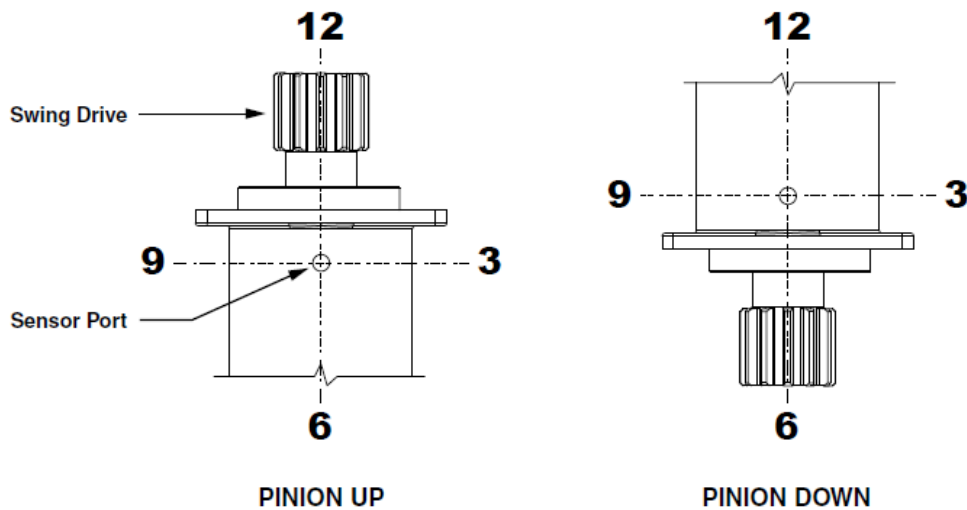
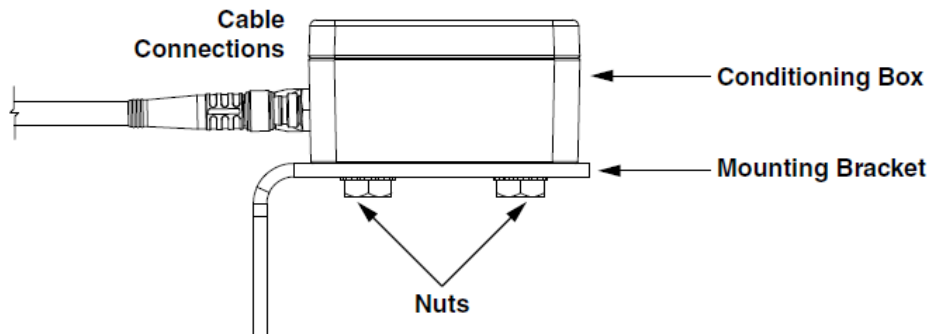


Figure 33 - Swing Sensor Diagram



Replacing the Conditioning Box

1. Place the boom in the rest (stowed position).
2. Turn off power to the crane.
3. Disconnect the cables from the conditioning box.
4. Remove the two nuts attaching the conditioning box to the mounting bracket.
5. Install the new conditioning box onto the mounting bracket.
6. Reconnect the cables to the new conditioning box.





POWER to Move the World™

A **DOVER** COMPANY

11135 South James • Jenks, OK 74037

Phone: (918) 298-8300

Fax: (918) 298-8301

www.team-twg.com

Greer Company is a part of TWG.

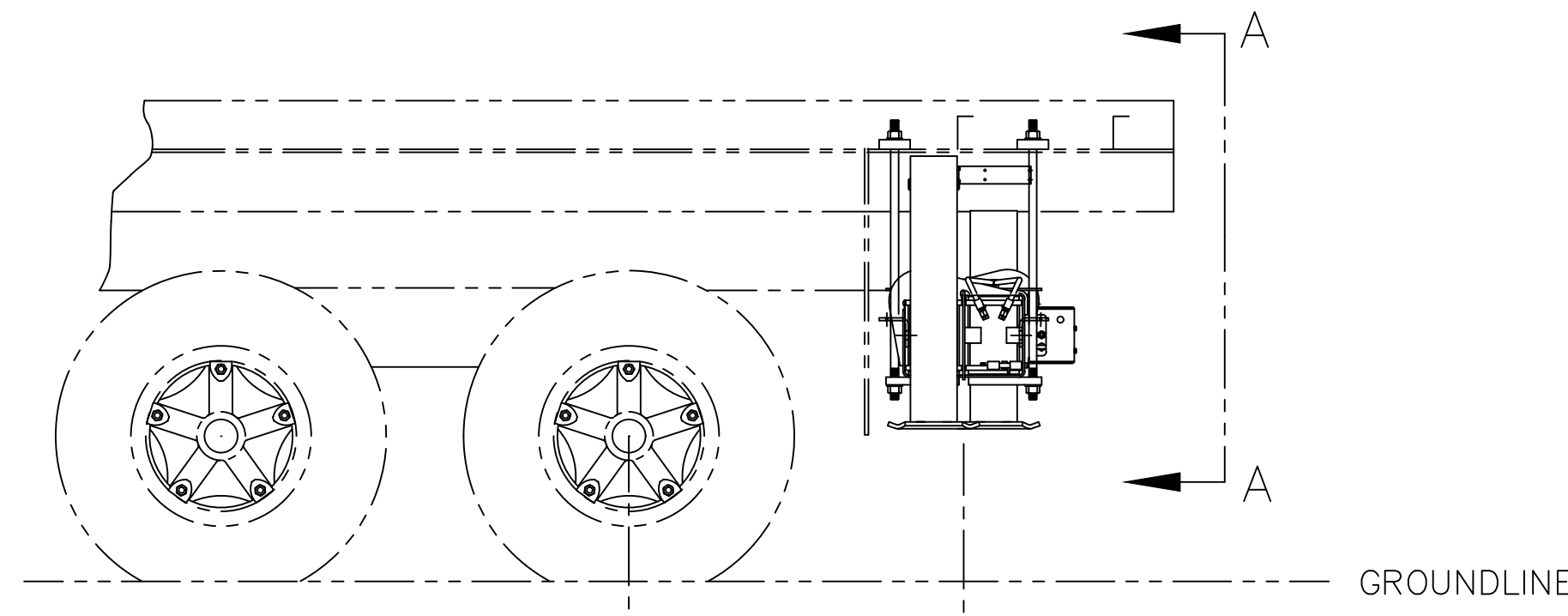
As a leader in product innovation, Greer Company is committed to the ongoing improvement of its equipment.
We reserve the right to make changes to our products without notice.

©2013 TWG. All rights reserved.

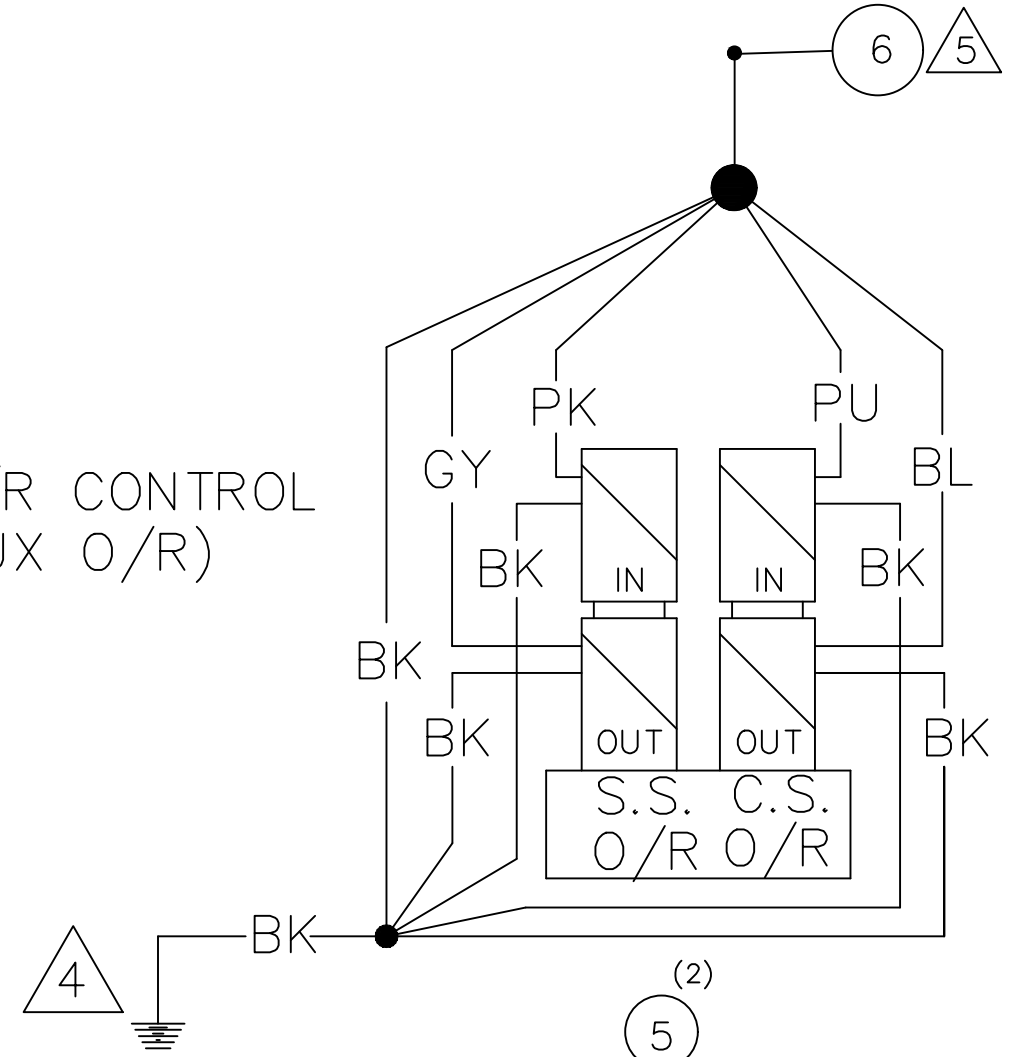
SECTION 8

TITLE	NUMBER	REVISION
Aux Outrigger Installation	T121324	E
M/F Turret Installation	700-00990-2	D
Main Outrigger Installation Assembly	T121571	D
Shear Plate Installation	691-00003	D
Subframe Installation	691-00001	Q
Flatbed Installation BT Models	696-00032-1	C
Platform Installation	706-00022	E
Install, Hyd. Res. 90 Gal Round Tank	876-00060	Q
ATB-LMI Install (BT) Internal LMI	508-00087-1	K
BM/Winch/Top Cyl/Guide Install	720-01007	Q
Hydraulic Piping, Mainframe Non-Continuous	500-01795	K
Hydraulic Piping, Mainframe Continuous Rot	500-01796	G
Boom Rest Assy	698-00063	B
Throttle Install Electronic	600-40415	00
Throttle Installation	600-40429	B
Throttle Install	600-40439	A
Assembly Front Bumper O/R	T134655	B
Jib Stowage 4000/7000 Series	730-51332-1	G
Hydraulic Schematic	500-01812	A
Electrical Schematic BTs	T135884	B

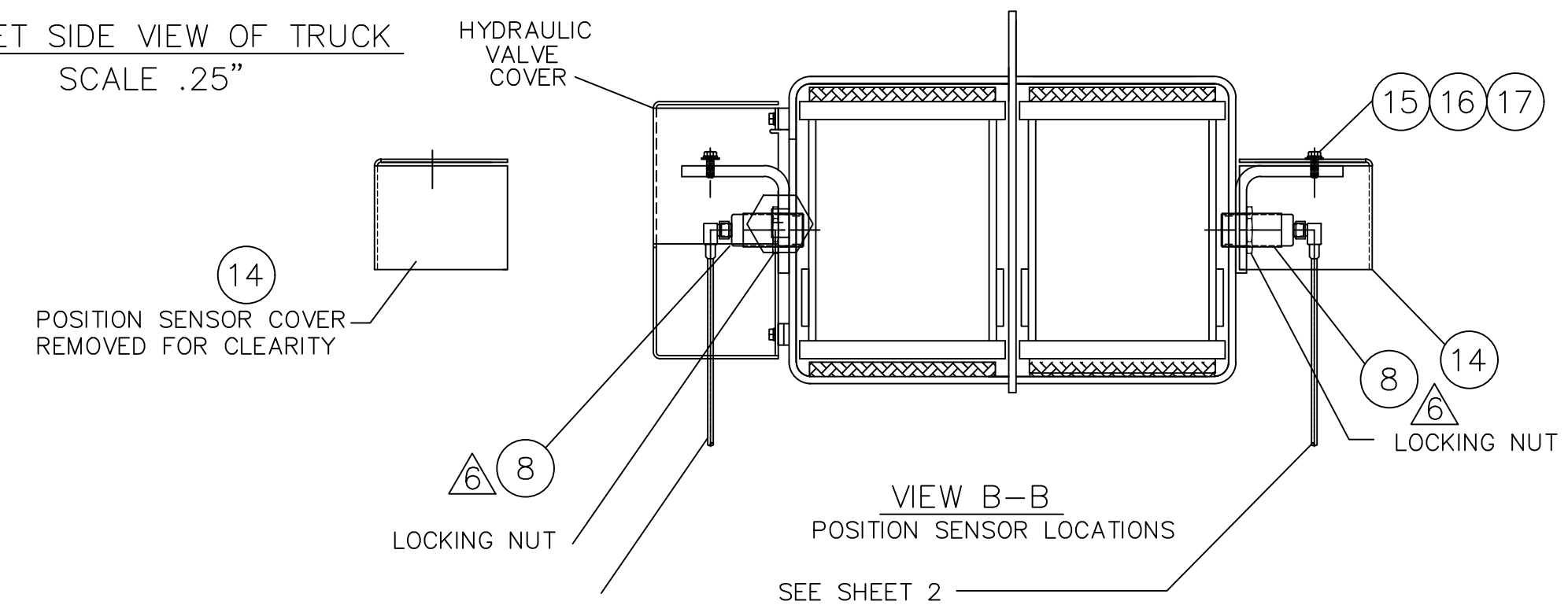
WIRE COLOR	FUNCTION
BLUE	C.S. AUX O/R-OUT
GREY	S.S. AUX O/R-OUT
PURPLE	C.S. AUX O/R-IN
PINK	S.S. AUX O/R-IN
BLACK	GROUND



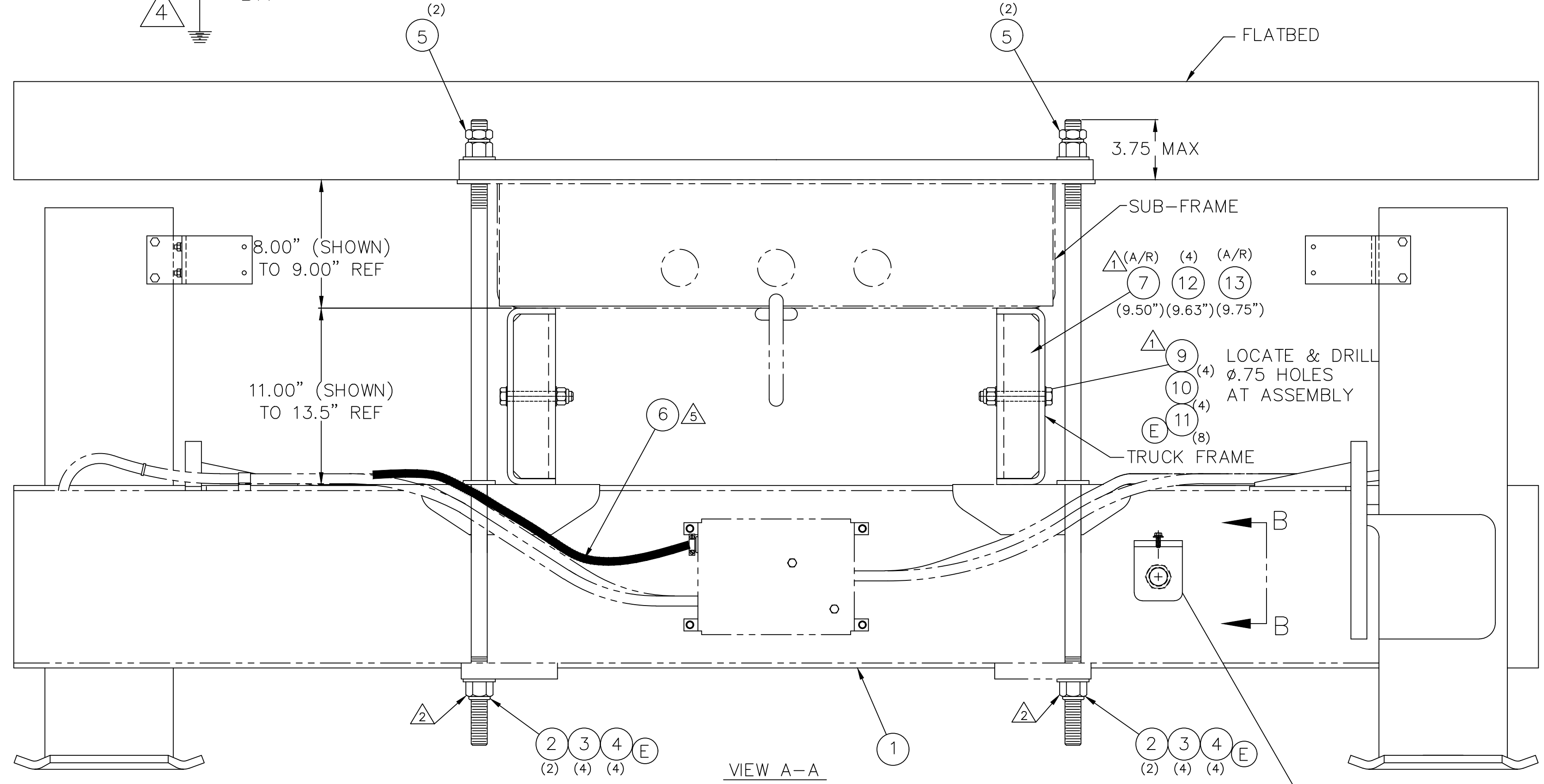
STREET SIDE VIEW OF TRUCK
SCALE .25"



HORIZONTAL O/R CONTROL
SOL. VALVE (AUX O/R)



VIEW B-B
POSITION SENSOR LOCATIONS
SEE SHEET 2



VIEW A-A

Qty.	Item	Part No.	Description
1	1	T120909	AUX O/R ASSEMBLY
4	2	220-09123	STUD, 1.00-14 X 39.00 LG
8	3	NYH-A00S000-22	NUT, NYL-INS HVY 1.00-14,ST SQC G2
8	4	WAH-AONX000-20	WSH, FL HRD A-NRW 1.00, ST SQC
4	5	N05-A00S000-Y8	NUT, HEX JAM 1.00-14,ST SQC G8
1	6	400-25188	ELEC. HARNESS ASSY AUX O/R
A/R	7	709-01902-1	FRAME STIFFENER 9.50" (021-40046)
2	8	T120217	POSITION SENSOR
4	9	S01-625CD00-25	SCR, HHCS 0.625-11X4.00,ST SQC G5
4	10	NYL-625C000-25	NUT,HEX NYL-INS 0.625-11,ST SQC G5
8	11	WAH-62NX000-20	WSH,FL HRD A-NRW 0.625 ST SQC
4	12	709-01902-2	FRAME STIFFENER 9.63" (021-40042)
A/R	13	709-01902-3	FRAME STIFFENER 9.75" (021-40051)
2	14	T120495	POSITION SENSOR COVER (GRAY)
2	15	SHF-250C750-25	SCR,HHCS FT 0.25-20X0.75,ST SQC G5
2	16	W07-250X000-20	WSH, LCK, MED SPLT 0.25, ST SQC
2	17	WAW-25WX000-20	WSH, FL TYP A-WID 0.25, ST SQC
1	18	T121809	HARNESS AUX O/R SENSORS
1	19	T121221	HARNESS AUX C.S. O/R SENSOR
1	20	T121222	HARNESS AUX S.S. O/R SENSOR

A/R = AS REQUIRED
SEE 709-01902 (KANBAN FOR PARTS)

NOTES:

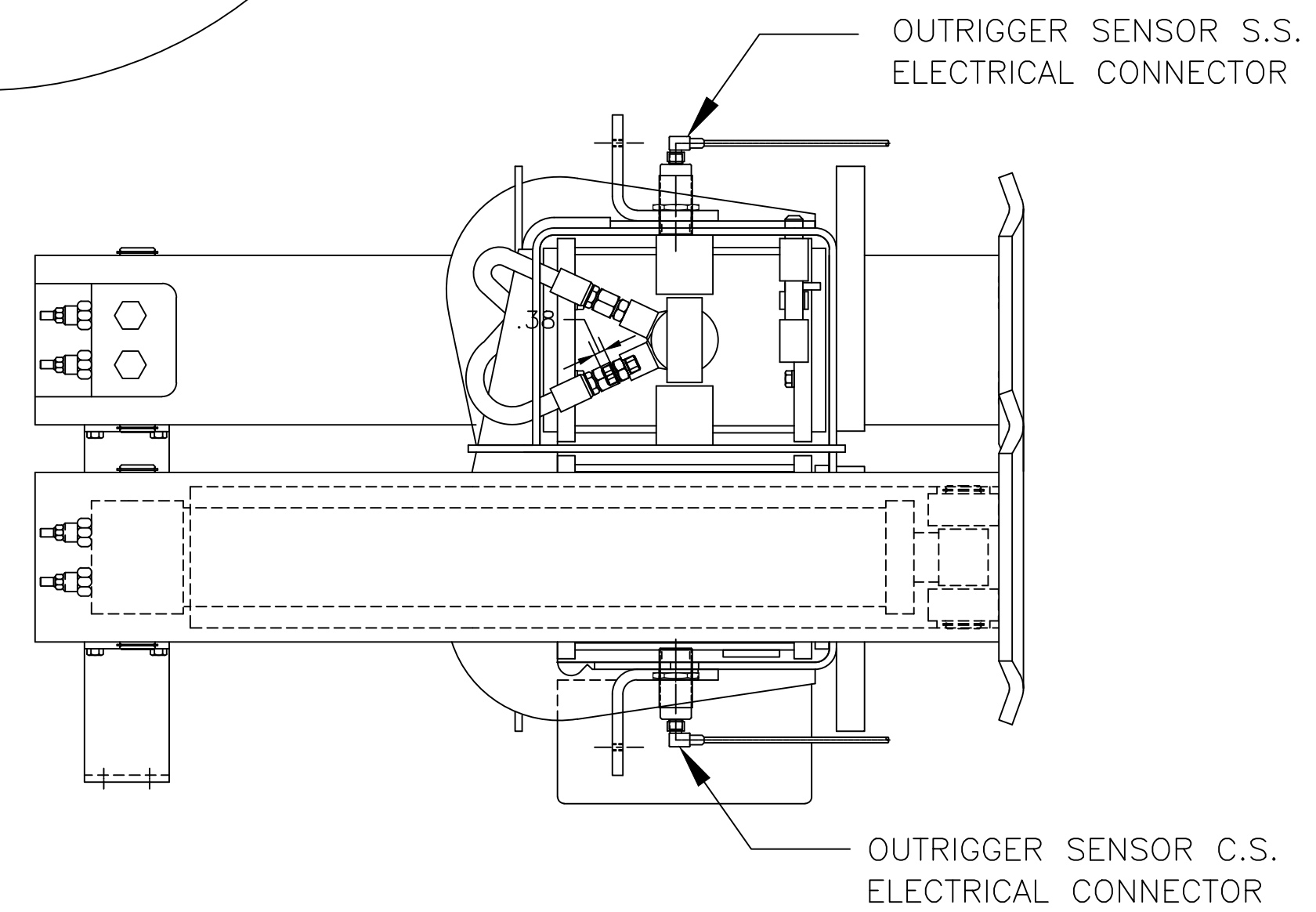
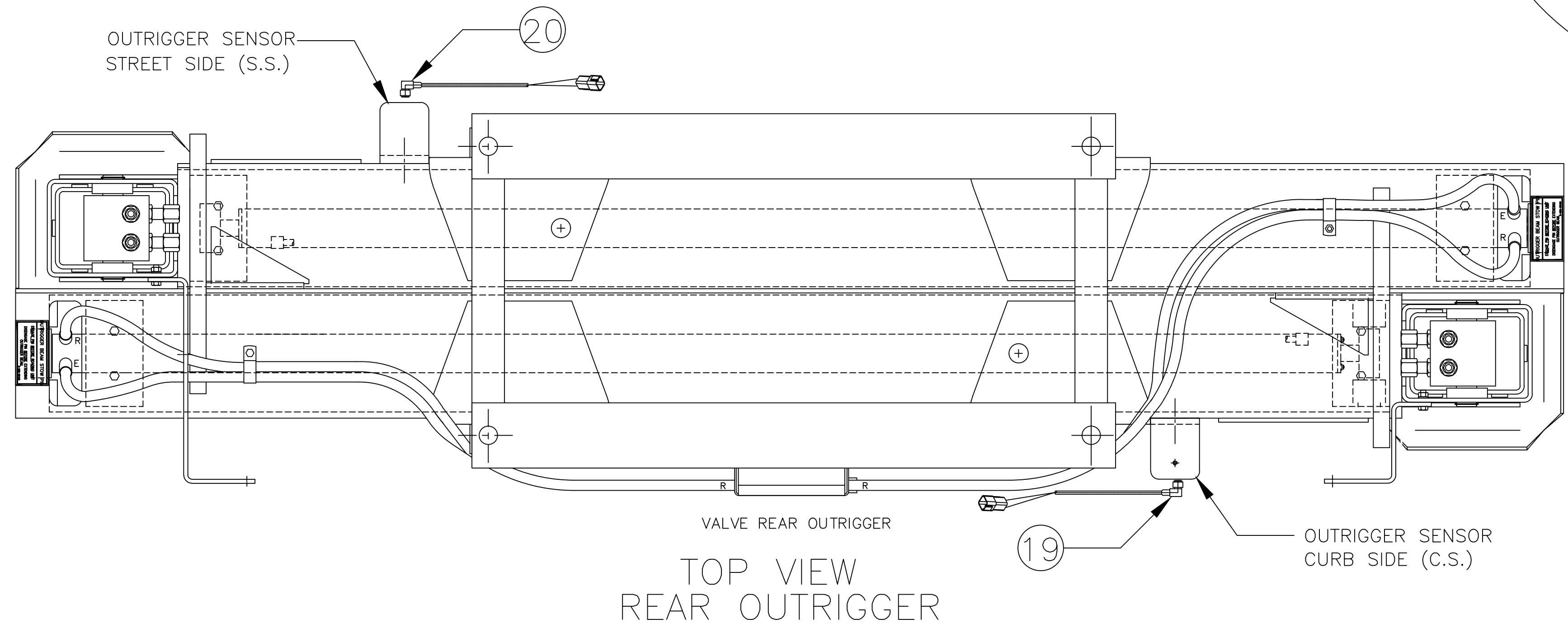
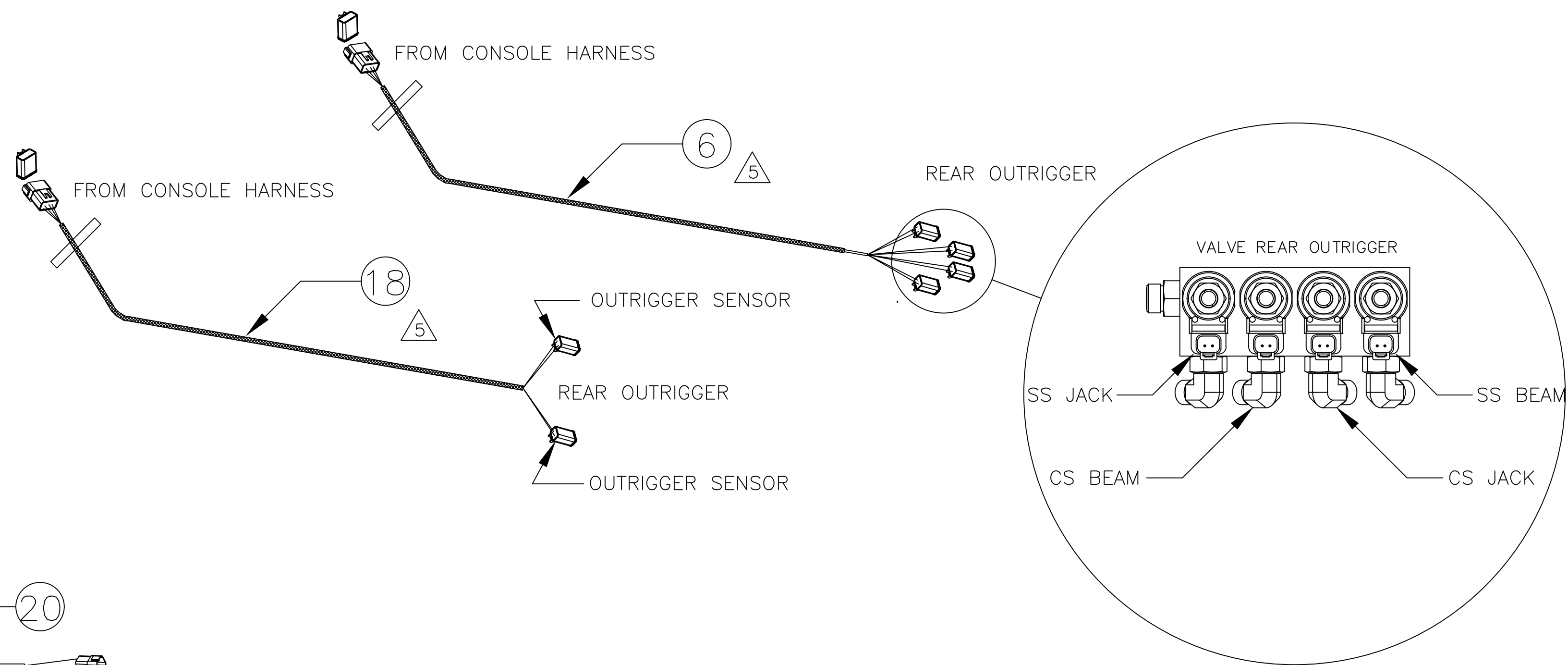
- 1. FRAME STIFFENERS TO BE CENTERED WITH TIE DOWN STUDS (IT #3) AND DRIVE-FIT INTO PLACE BETWEEN TOP AND BOTTOM FLANGES OF TRUCK FRAME. LOCATE & DRILL ϕ .75 HOLES IN THE TRUCK FRAME FOR ITEMS 9, 10 & 11. SEE 709-01902 FOR ALTERNATE FRAME STIFFENERS.
- 2. TORQUE FOUR LOWER LOCKNUTS TO 225-235 FT-LBS.
- 3. LOCATION OF OUTRIGGERS WILL BE LIMITED BY THE LOCATION OF CROSS MEMBERS IN THE FLATBED. CONSULT ENGINEERING FOR APPROVAL OF LOCATIONS OUTSIDE THIS RANGE.
- 4. INSTALL WIRE HARNESS (IT #6) THRU STRAIN RELIEF AT SOLENOID VALVE BOX ON OUTRIGGER HOUSING. CONNECT WIRES AS SHOWN IN SCHEMATIC. INSTALL GROUND WIRE UNDER MOUNTING BOLT WITH OTHER SOLENOID COIL GROUND WIRES.
- 5. ROUTE WIRE HARNESS (IT #6 & 18) ALONG FRAME TO CRANE MAINFRAME. SECURE IN PLACE AND PLUG INTO MATING CONNECTOR AT CONSOLE HARNESS.
- 6. POSITION SENSOR TO BE INSTALLED PER VIEW B-B. INSTALL SENSOR IN BRACKET UNTILL IT BOTTOMS OUT AND THEN BACK OFF TWO (2) FULL TURNS AND LOCK WITH NUT.

REV. LET.	L.E.N. DATE	CHANGE	ECN
E	02/05/18	UPDATED: SMART NUMBER DESCRIPTION CHANGED: WAH-AONX000-20 WAS WAH-AONX000-Y2. WAH-62NX000-20 WAS WAH-62NX000-Y2.	296A106449
D	1/11/16	709-01902-1 QTY WAS 4, 709-01902-2 QTY WAS A/R	296A105236
C	6/01/12	UPDATED PER HOSE BRACKET DETAILS	296A102305
B	9/14/11	ADDED SHEET TWO ADDED ITEM 18, T121809 QTY 1 ADDED ITEM 19, T121221 QTY 1 ADDED ITEM 20, T121222 QTY 1	296A101442
A	8-10-11	PRODUCTION RELEASE	296A101343

UNLESS OTHERWISE SPECIFIED: ALL DIMENSIONS IN INCHES TOLERANCES-UNLESS NOTED: X = ±.12 XX = ±.06 XXX = ±.020 DO NOT SCALE DRAWING MATERIAL LISTED REF: N/A	NAME: R FORD DATE: 8/10/11 CHECKED: PROPRIETARY AND CONFIDENTIAL THE INFORMATION CONTAINED IN THIS DRAWING IS THE SOLE PROPERTY OF LOAD KING TRAILERS. ANY REPRODUCTION OR USE IN WHOLE OR IN PART WITHOUT THE WRITTEN PERMISSION OF LOAD KING TRAILERS IS PROHIBITED.	LOAD KING AUX. OUTRIGGER INSTALL.	SIZE: D DWG. NO.: T121324 SCALE: 1:1 WEIGHT: SHEET 1 OF 2
------------------------------------------------------------------------------------------------------------------------------------------------------------------------------------	------------------------------------------------------------------------------------------------------------------------------------------------------------------------------------------------------------------------------------------------------------------------------------	-----------------------------------------	-----------------------------------------------------------------------

SIMILAR TO: T121325 (RED)
SIMILAR TO: 766-00036-P7

Qty.	Item	Part No.	Description
------	------	----------	-------------



SEE PAGE 1

A	8-10-11	PRODUCTION RELEASE	296A101343	REV E
REV. LET.	L.E.N. DATE	CHANGE	E.C.N.	
ALL CHANGES MUST BE MADE ON CAD.			SCALE: 1:1 SHEET 2 OF 2	



SIZE DWG. NO. REV
D T121324 **E**

NOTES:

1. FRAME STIFFENERS TO BE CENTERED WITH TIE DOWN STUDS (ITEM 3) AND DRIVE-FIT INTO PLACE BETWEEN TOP AND BOTTOM FLANGES OF TRUCK FRAME. LOCATE & DRILL ϕ .75 HOLE TRUCK FRAME FOR ITEMS 11, 12 & 13. SEE 709-01902 FOR ALTERNATE FRAME STIFFENERS.

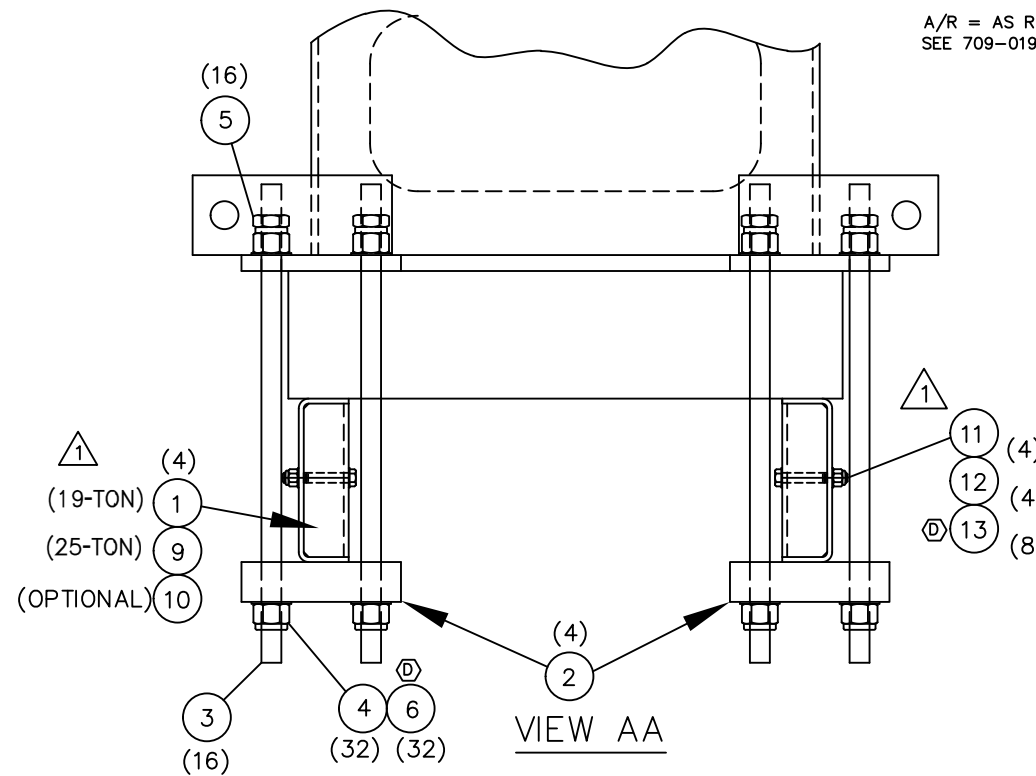
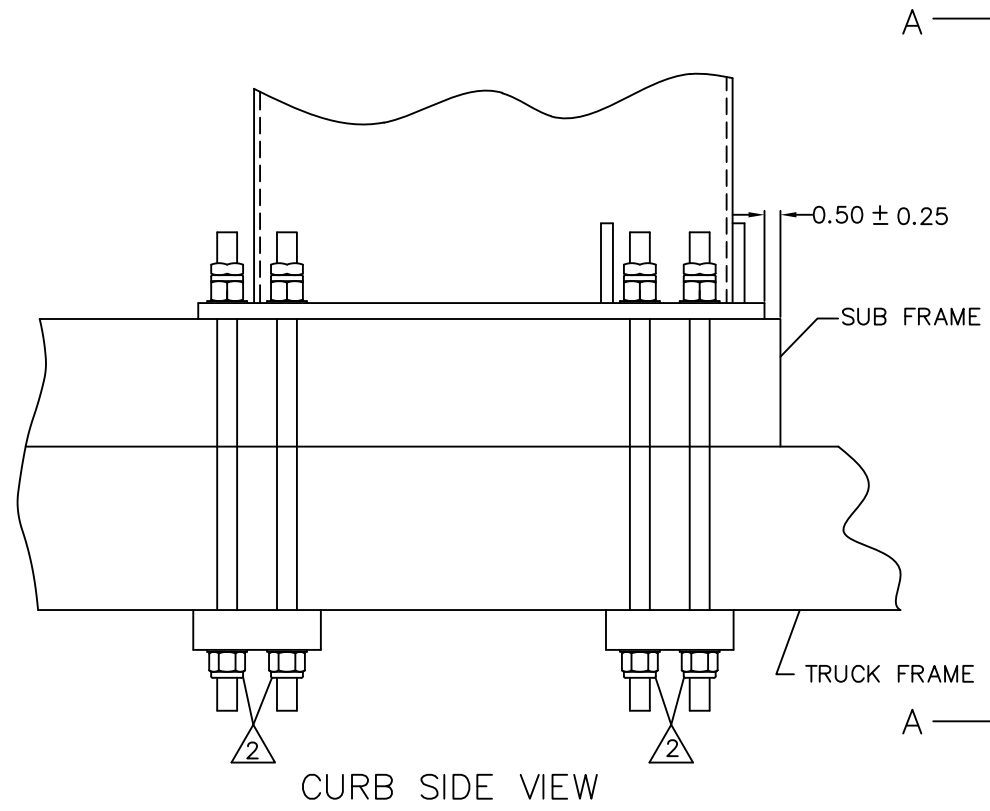
2. TORQUE 16 LOWER LOCK NUTS (ITEM 4) TO 650-680 FT-LBS.

19-TON, 25-TON

Item	Part No.	Description	Qty.	Qty.
(C)	1	709-01902-1	FRAME STIFFENER 9.50" (021-40046)	4 A/R A/R
	2	783-02895	CLAMP BAR	4 4 4
	3	220-09078	TIEDOWN STUD 1-1/4 NFX30	- 8 16
(C)	4	NYH-A25F000-22	NUT, NYL-INS HVY 1.25-12,ST SQC G2	32 32 32
(C)	5	N05-A25F000-Y8	NUT, HEX JAM 1.25-12,ST SQC G8	16 16 16
(D)(C)	6	WAH-A2NX000-20	WSH, FL HRD A-NRW 1.25, ST SQC	32 32 32
(B)	7	220-09111	TIEDOWN STUD 1-1/4 NFX46	- 8 -
(A)	8	220-09090	TIEDOWN STUD 1-1/4 NFX28	16 - -
(C)	9	709-01902-2	FRAME STIFFENER 9.63" (021-40042)	A/R 4 4
(C)	10	709-01902-3	FRAME STIFFENER 9.75" (021-40051)	A/R A/R A/R
(C)	11	S01-625C000-25	SCR, HHCS 0.625-11X4.00,ST SQC G5	4 4 4
(C)	12	NYL-625C000-25	NUT,HEX NYL-INS 0.625-11,ST SQC G5	4 4 4
(D)(C)	13	WAH-62NX000-20	WSH,FL HRD A-NRW 0.625 ST SQC	8 8 8

A/R = AS REQUIRED
SEE 709-01902 (KANBAN FOR PARTS)

	700-00990-3	700-00990-2	700-00990-1
19-TON SERIES			
35-TON SERIES			
25-TON SERIES			



C	4-19-11	ITEM 1, 709-01902-1 WAS 021-40046 REMOVED 021-40046 FROM 700-00990-1 REMOVED 021-40046 FROM 700-00990-2 700-00990-2, ADD ITEM 9, 709-01902-2 700-00990-1, ADD ITEM 9, 709-01902-2 ADDED ITEM 10, 709-01902-3, OPTIONAL ADDED, A/R = AS REQUIRED SEE 709-01902 KANBAN FOR PARTS ADDED HARDWARE ITEMS 11, 12, & 13 UPDATED HARDWARE ITEMS 4, 5, & 6 REVISED NOTE 1 FROM WELD TO BOLT IN PLACE	296A101155
B	1-20-06	ITEM 7, REMOVE P/N 222-09111. ITEM 7, INSERT P/N 220-09111.	N517
A	6-07-05	ADDED BT3000 700-00990-3 TOBOM MISC. DRAWING CHANGES.	N833
--	1-18-05	PRODUCTION RELEASE	
REV. LET.	L.E.N. DATE	CHANGE	ALL CHANGES MUST BE MADE ON CAD. E.C.N.

UNLESS OTHERWISE SPECIFIED:

ALL DIMENSIONS IN INCHES
TOLERANCES-UNLESS NOTED:
.X = ±.12
.XX = ±.06
.XXX = ±.020

DO NOT SCALE DRAWING

MATERIAL LISTED

FINISH N/A

NAME	DATE
DRAWN LD	1/18/05
CHECKED DS	1/20/05

PROPRIETARY AND CONFIDENTIAL
THE INFORMATION CONTAINED IN THIS DRAWING IS THE SOLE PROPERTY OF LOAD KING TRAILERS. ANY REPRODUCTION IN PART OR AS WHOLE WITHOUT THE WRITTEN PERMISSION OF LOAD KING TRAILERS IS PROHIBITED.

THIRD ANGLE PROJECTION



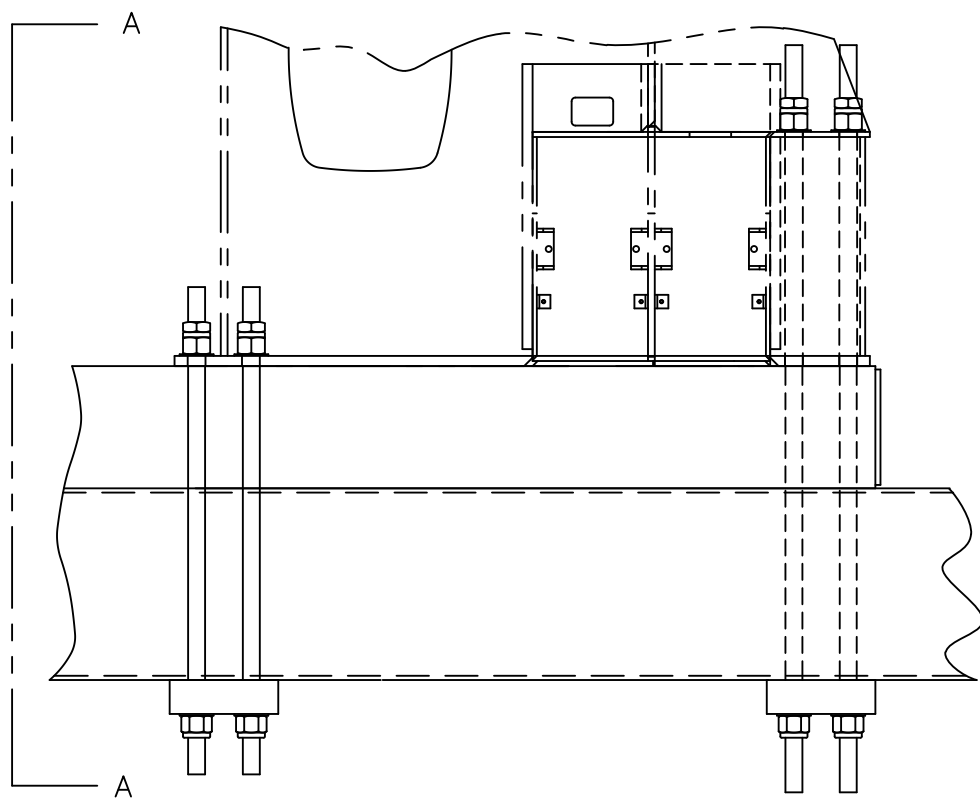
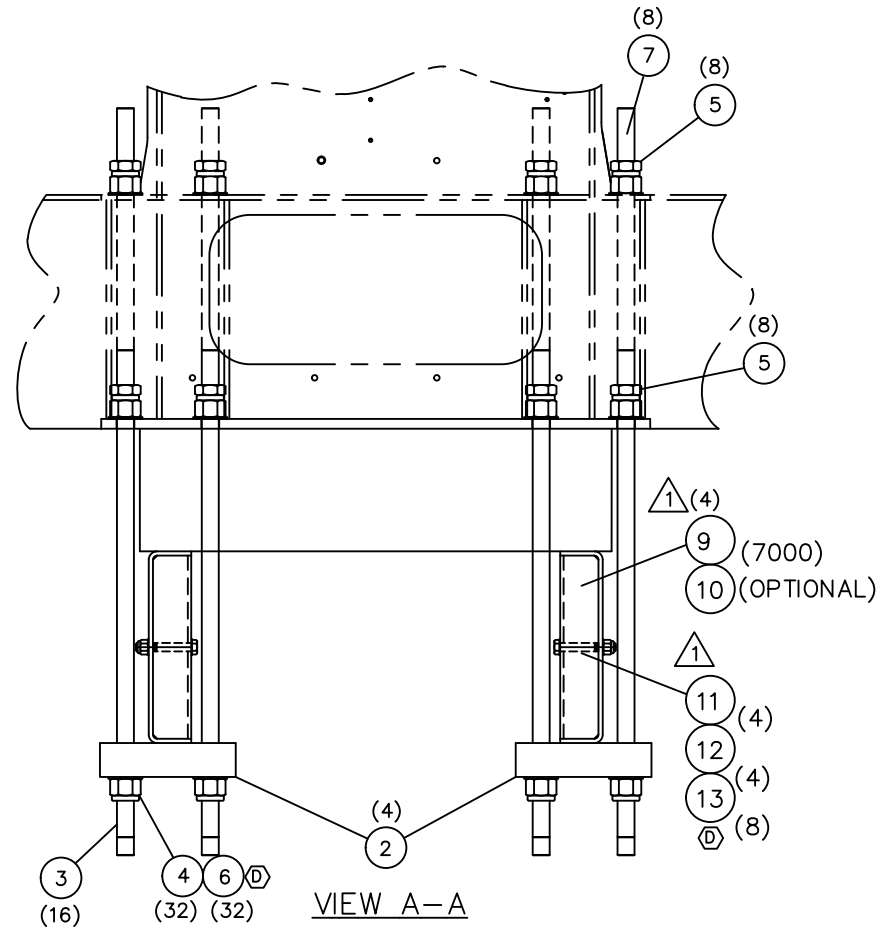
TITLE:
M/F TURRET INSTALLATION

SIZE	DWG. NO.	REV
B	700-00990	D
SCALE: NONE	WEIGHT:	SHEET 1 OF 2

D	11-06-17	CHANGED: WAH-A2NX000-20 WAS WAH-A2NX000-Y2, WAH-62NX000-20 WAS WAH-62NX000-Y2.	296A106113
---	----------	-----------------------------------------------------------------------------------	------------

Item	Part No.	Description	Qty.	Wt.
------	----------	-------------	------	-----

35-TON



CURB SIDE VIEW

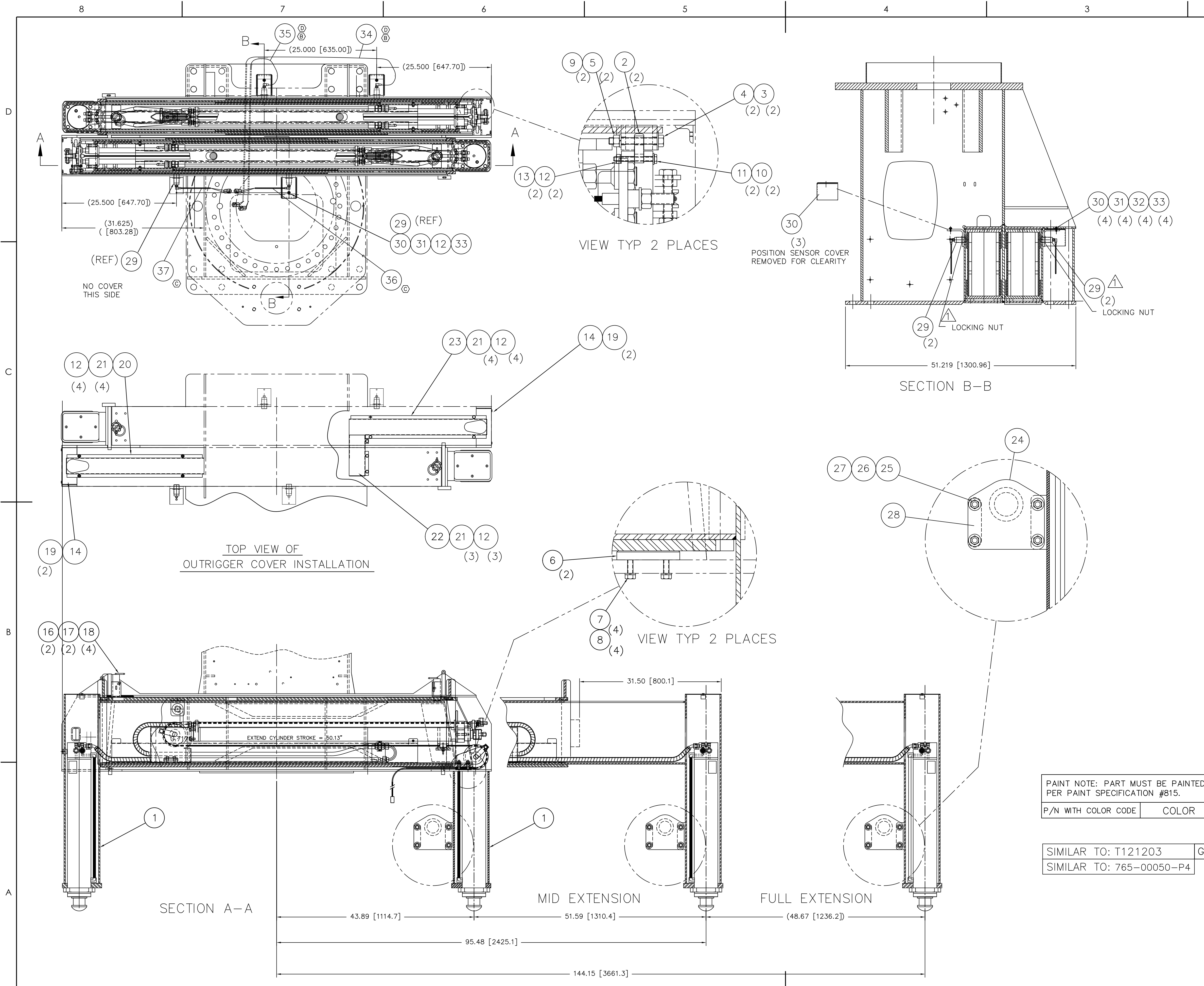
NOTES:

- 1. FRAME STIFFENERS TO BE CENTERED WITH TIE DOWN STUDS (ITEM 3) AND DRIVE-FIT INTO PLACE BETWEEN TOP AND BOTTOM FLANGES OF TRUCK FRAME. LOCATE & DRILL ϕ .75 HOLE TRUCK FRAME FOR ITEMS 11, 12 & 13. SEE 709-01902 FOR ALTERNATE FRAME STIFFENERS.
- 2. TORQUE 16 LOWER LOCK NUTS (ITEM 4) TO 650-680 FT-LBS.

D	11-06-17	SEE SHEET 1	296A106113
C	4-9-11	SEE SHEET 1 OF 2.	296A101155
B	1-20-06	SEE SHEET 1 OF 2.	N517
A	6-07-05	CORRECTED STUD LENGTH	N833
--	1-18-05	PRODUCTION RELEASE	
REV. LET.	L.E.N. DATE	CHANGE	E.C.N.

LOAD KING

SIZE	DWG. NO.	REV
B	700-00990	D
SCALE: NONE		SHEET 2 OF 2



Qty.	Item	Part No.	Description
2	1	T121600	OUTRIGGER LEG ASSEMBLY (RED)
4	2	789-05525-P4	SHEAR PLATE (RED)
4	3	S01-375CB75-25	SCR,HHCS,0.375-16 X 2.75, ST YZ GR5
4	4	WAW-37WX000-20	WSH,FL TYP A-NRW 0.375, ST Z
4	5	NYL-375C000-25	NUT,HEX NYL-INS, 0.375-16, ST Z GR5
4	6	729-02341	WEAR PAD W/POLYSERT
8	7	S01-312CA25-25	SCR,HHCS,0.3125-18 X 1.25, ST YZ GR5
8	8	W07-312X000-20	WSH,LCK MED SPLT 0.3125, ST Z
4	9	W07-375X000-20	WSH,LCK MED SPLT 0.375, ST Z
4	10	SHF-250CB50-25	SCR,HHCS, 0.25-20 X 2.50, ST Z GR5
4	11	WBR-25RX734-20	WSH,FL TYPB-REG 0.25, ST Z
18	12	W07-250X000-20	WSH,LCK MED SPLT 0.25, ST Z
4	13	N04-250C000-25	NUT,HEX NYL-INS 0.25-20, ST Z GR5
2	14	802-01593-P4	END CAP COVER (RED)
2	15		
2	16	870-40199	OUTRIGGER PIN ZINC PLATED
48"	17	12219-1	AIRCRAFT CABLE 1/8" PLASTIC COVER
4	18	1222-225	1/8" CABLE SLEEVE
4	19	SL5-250C500-20	SCR,CR, RND MS 0.25-20 X 0.50, ST Z
1	20	802-01588-P4	COVER, HYDRAULIC HOSE (RED)
11	21	SHF-250C500-25	SCR,HHCS, 0.25-20 X 0.50, ST Z GR5
1	22	802-01626-P4	COVER, O/R HYD. HOSES (RED)
1	23	802-01625-P4	COVER, O/R HYD. HOSES (RED)
2	24	760-00425-P4	WELDMENT, SHOE STOW (RED)
8	25	S01-500CA50-25	SCR,HHCS,0.50-13 X 1.50, ST YZ GR5
16	26	WAW-50WX000-20	WSH,FL TYP A-WID 0.50, ST Z
8	27	NYL-500C000-25	NUT,HEX, NYL-INS 0.50-13, ST Z GR5
2	28	789-05456-P4	PLATE, SHOE ROTATION STOP (RED)
4	29	T120217	SENSOR
3	30	T120574	POSITION SENSOR COVER (RED)
3	31	SHF-250C750-25	SCR,HHCS,FL 0.25-20X0.75,ST Z GR5
3	32		
3	33	WAW-25WX000-20	WSH, FL TYP A-WID 0.25 ST YZ
1	34	T122416	HARNES, JUMPER, S.S. BACK SIDE
1	35	T122417	HARNES, JUMPER, C.S. BACK SIDE
1	36	T122418	HARNES, JUMPER, C.S. CONSOLE SIDE
1	37	T122419	HARNES, JUMPER, S.S. CONSOLE SIDE

NOTES:
 ▲ POSITION SENSOR TO BE INSTALLED PER SECTION B-B. INSTALL SENSOR IN BRACKET UNTILL IT BOTTOMS OUT AND THEN BACK OFF TWO (2) FULL TURNS AND LOCK WITH NUT.

PAINT NOTE: PART MUST BE PAINTED PER PAINT SPECIFICATION #815.
 P/N WITH COLOR CODE COLOR

SIMILAR TO: T121203 GRAY
 SIMILAR TO: 765-00050-P4

REV.	LET.	L.E.N.	DATE	CHANGE	E.C.N.
D	02-17-12			DRAWING UPDATE FOR CALLOUT CHANGE	296A101936
C	10-13-11			ADDED ITEMS 34 THRU 37	296A101446
B	9-26-11			ITEM 1, T121600 WAS T121572	296A101533
A	8-18-11			PRODUCTION RELEASE	296A101362

UNLESS OTHERWISE SPECIFIED:	NAME	DATE
ALL DIMENSIONS IN INCHES	R FORD	8/18/11
TOLERANCES-UNLESS NOTED:	CHECKED	
X = ±.12		
XX = ±.06		
XXX = ±.020		
DO NOT SCALE DRAWING		
MATERIAL LISTED		
FRONT: N/A		

REV	DWG. NO.	REV
D	T121571	D

SCALE: 1:1 WEIGHT: SHEET 1 OF 2

8

7

6

5

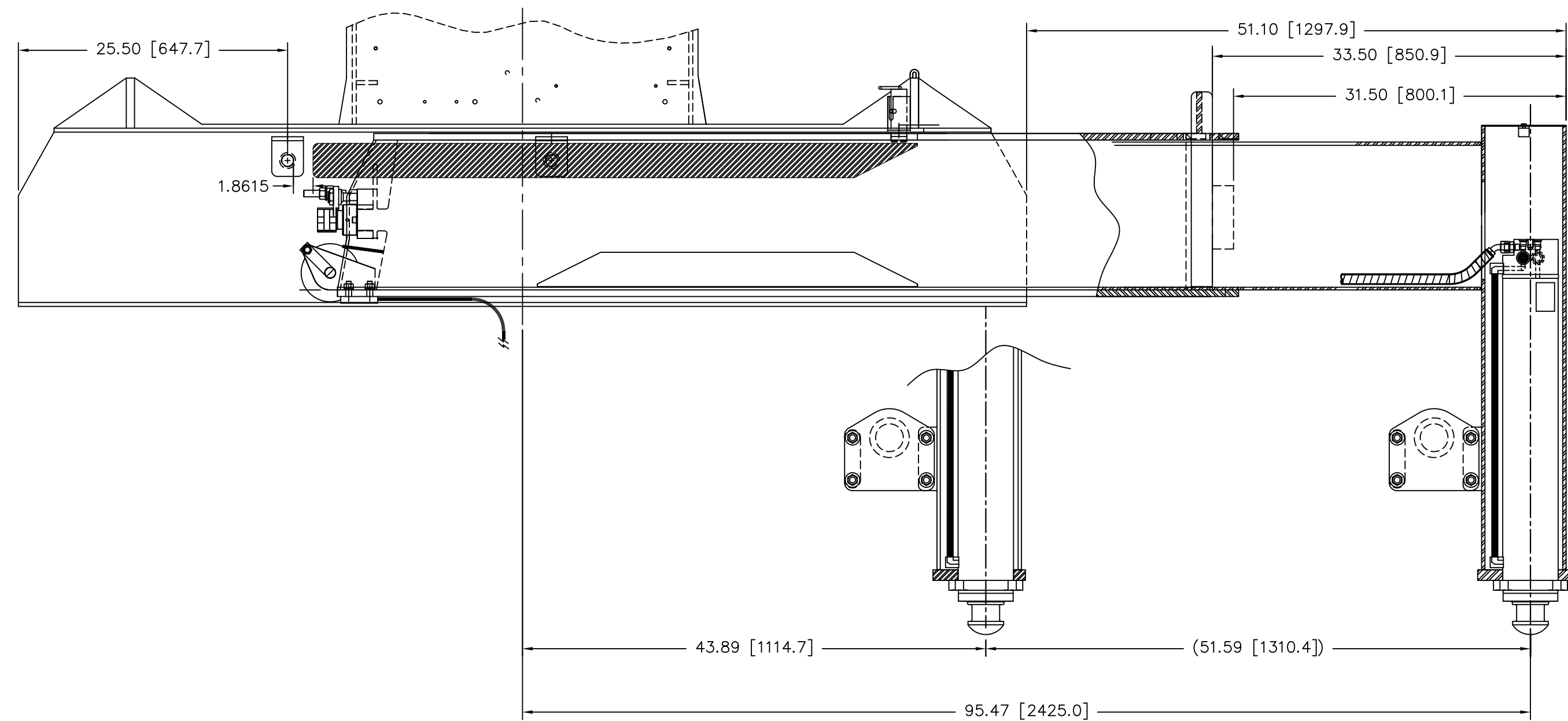
4

3

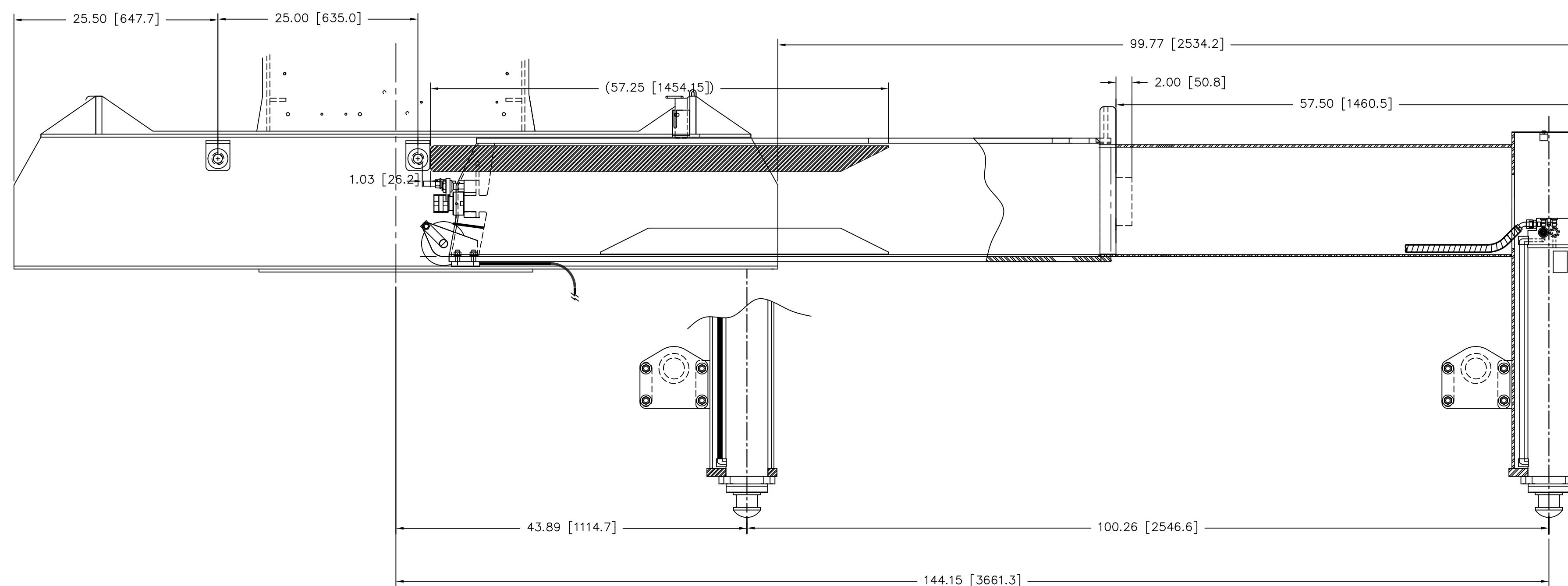
2

1

Qty.	Item	Part No.	Description
------	------	----------	-------------



MID EXTENSION



FULL EXTENSION

D	02-17-12	DRAWING UPDATE FOR CALLOUT CHANGE	296A101936
C	10-13-11	SEE SHEET 1	296A101446
B	9-26-11	SEE SHEET 1	296A101533
A	8-18-11	PRODUCTION RELEASE	296A101362
REV. LET.	L.E.N. DATE	CHANGE	E.C.N.



 SIZE DWG. NO. REV

D T121571 **D**

 SCALE: 1:1 SHEET 2 OF 2

8

7

6

5

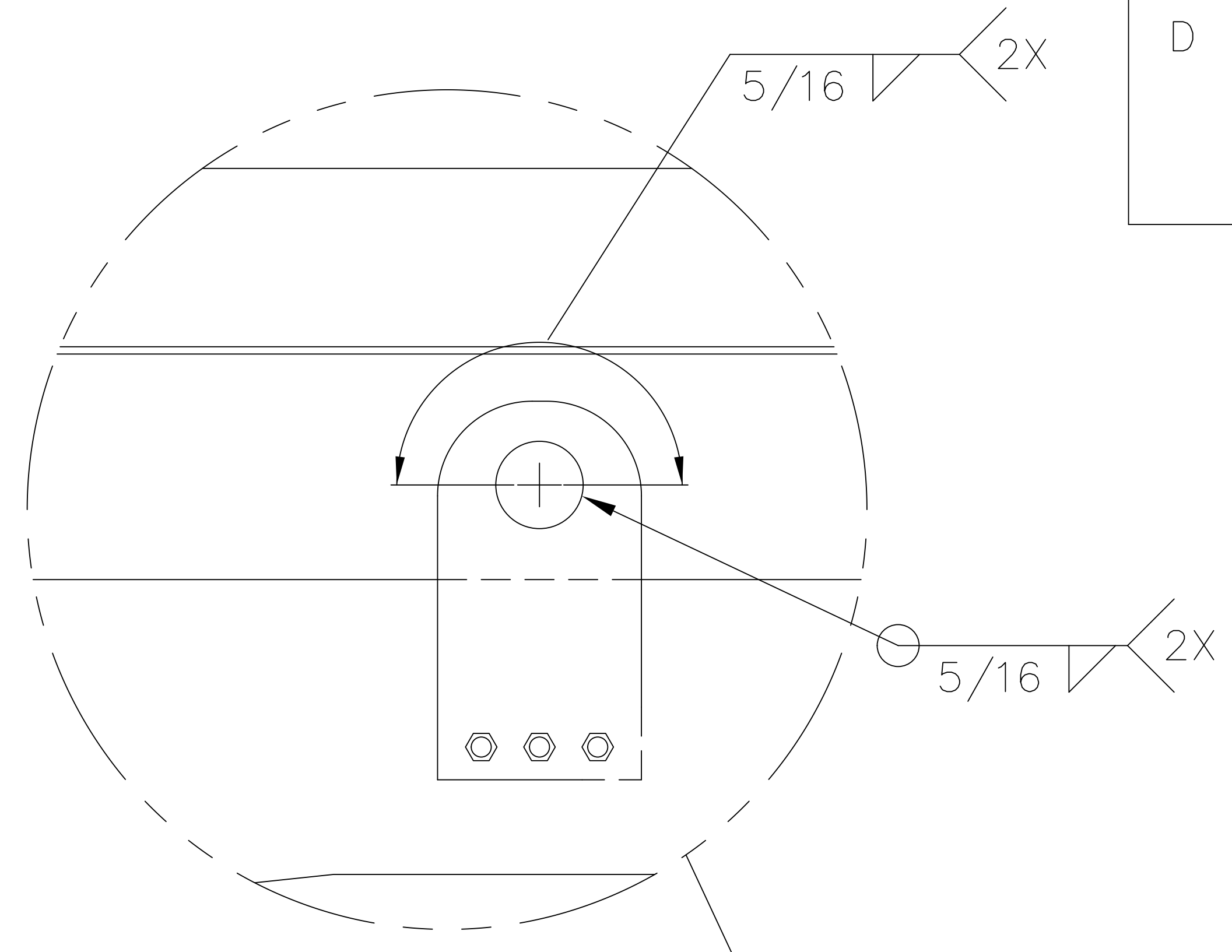
4

3

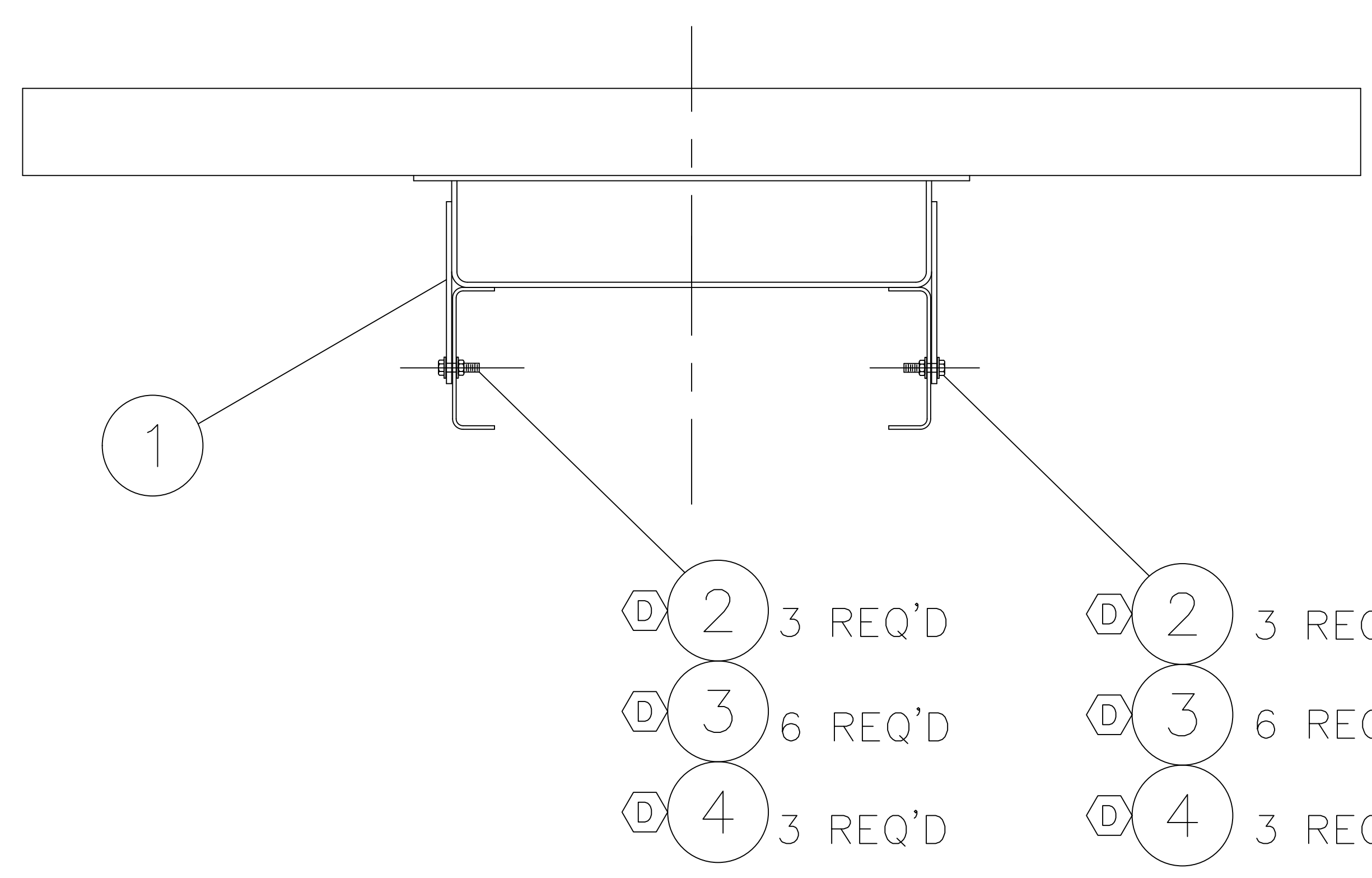
2

1

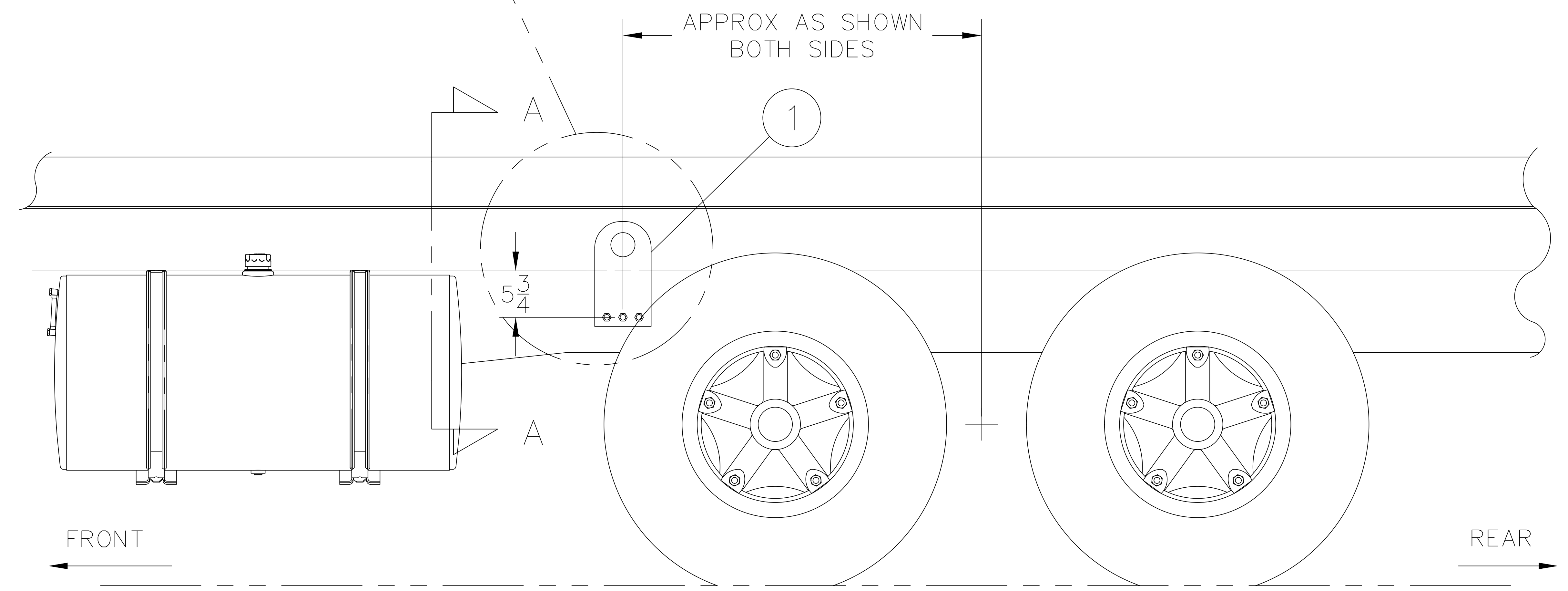
REV	DESCRIPTION	BY	DATE	REL. NO.
A	REV DRW PER PART UPDATE; QTYS CHANGE TO REF; ADD IT5 & IT6	JWL	9/12	01-123
B	ITEM #5 MADE REF	RWS	10/30	01-136
C	APPROX AS SHOWN BOTH SIDES WAS 44 1/2", REMOVED ITEM 5, 210-00033, KIT, SHEAR PLATE PARTS, REMOVE REFERENCE FROM QTY ON ITEMS 1 THRU 4 REMOVED NOTE 6 PERTAINING TO ITEM 5 CLARIFIED WELDING OF ITEM 1 TO FRAME	REF	7/02/04	P278
D	CHANGED: NYH-625C000-22 WAS 221-96005 WAH-62NX000-20 WAS 222-06010 S01-625CB50-Y8 WAS 220-06032	SG@T	11/06/17	296A106121



VIEW A-A



- (D) 2 3 REQ'D
- (D) 3 6 REQ'D
- (D) 4 3 REQ'D
- (D) 2 3 REQ'D
- (D) 3 6 REQ'D
- (D) 4 3 REQ'D



- NOTES:
- LOCATE SHEAR PLATE (ITEM #1) AS SHOWN, WITH SHEAR PLATE SQUARE ON SUB-FRAME, AND WELD AS SHOWN.
 - USE EXISTING HOLES IN SHEAR PLATE (ITEM #1) AS TEMPLATE AND DRILL (3) 11/16 DIA HOLES IN TRUCK FRAME.
 - SECURE SHEAR PLATE (ITEM #1) TO TRUCK FRAME WITH HARDWARE (ITEMS 2, 3 & 4).
 - REPEAT STEPS 1-3 ABOVE FOR OPPOSITE SIDE SHEAR PLATE.
 - TORQUE BOLTS TO 160 FT-LBS.

(C)(A)(B)	5			
(D)	4	6	NUT,NYL-INS HVY 0.625-11,ST SQC G2	NYH-625C000-22
(D)	3	12	WSH,FL HRD A-NRW 0.625 ST SQC	WAH-62NX000-20
(D)	2	6	SCR, HHCS 0.625-11X2.50,ST SQC G8	S01-625CB50-Y8
(C)(A)	1	2	SHEAR PLATE	709-01251
ITEM	QTY		DESCRIPTION	PART NUMBER

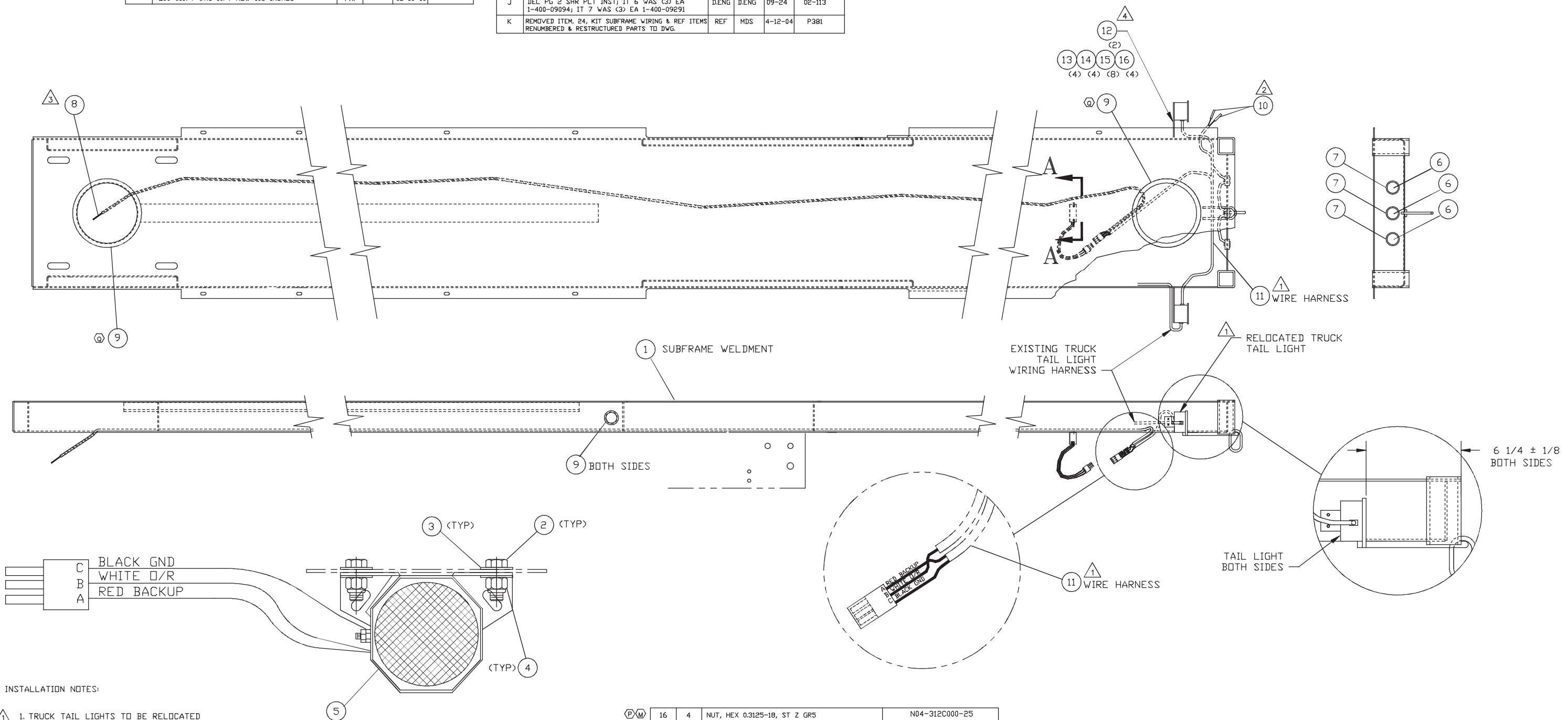
UNLESS OTHERWISE SPECIFIED:		DATE	1-4	LOAD/KING
TOLERANCE UNLESS OTHERWISE SPECIFIED:	DRAWN	ACD	1-4	
FRACTIONS -- -- 1/16	PROPOSED	JMCO	1-4	TITLE: SHEAR PLATE INSTALLATION
DECIMALS -- -- 0.0625	PROPERTY AND CONFIDENTIAL			SIZE DWG. NO. 691-00003
ANGLES -- -- 1/4"	THE INFORMATION CONTAINED HEREIN IS THE SOLE PROPERTY OF LOAD/KING TRAILERS AND IS NOT TO BE REPRODUCED OR TRANSMITTED IN ANY FORM OR BY ANY MEANS, ELECTRONIC OR MECHANICAL, WITHOUT PERMISSION OF LOAD/KING TRAILERS.			REV D
DO NOT SCALE DRAWINGS	SCALE: 1:16/WEIGHT: 20.8#			SHEET 1 OF 1

REV	DESCRIPTION	BY	CHK'D	DATE	REL. NO.
L	CHGD TITLE FROM SUBFRAME INSTALLATION TO SUBFRAME ELECTRICAL INSTALL.	LD	DS	1-10-05	
M	ADDED ITEMS 12, 13, 14, 15, 16, & NOTE 4	REF	DW	1-23-07	N30
N	ITEMS 12, 789-05681 WAS 789-05881	REF	MAN	8-03-12	296A102473
P	ITEM 2, SHF-250CA00-25 WAS 220-00003 UPDATED ALL HARDWARE PER NEW STANDARD	REF	MAN	1-15-13	296A103068
Q	209-00174 WAS 10FT NOW 106 INCHES	PMP		12-16-13	296A103893

REV	DESCRIPTION	BY	CHK'D	DATE	REL. NO.
G	ITEM 8 QUAN WAS 2. ITEM 14 QUAN WAS 8 FT. ITEM 16 QUAN WAS 8. ITEM 18 QTY WAS 25 FT. ITEM 20 QUAN WAS 8 FT. ITEM 21 QTY WAS 8 FT. ITEM 22 QUAN WAS 11 FT. ITEM 23 QTY WAS 23 FT.	RWS		10-02	00-095
H	ADDED ITEM 24 & NOTE #6.	RWS	SAL	10-22	01-135
I	ITEM #24 MADE REF	RWS	SAL	10-30	01-136
J	DEL PG 2 SHR PLT INST; IT 6 WAS (3) EA 1-400-09094; IT 7 WAS (3) EA 1-400-09291	DENG	DENG	09-24	02-113
K	REMOVED ITEM, 24, KIT SUBFRAME WIRING & REF ITEMS RENUMBERED & RESTRUCTURED PARTS TO DWG.	REF	MDS	4-12-04	P381

REV	DESCRIPTION	BY	CHK'D	DATE	REL. NO.
D	ITEM 2 REQ'D WAS 6. ITEM 3 REQ'D WAS 7. ITEM 4 REQ'D WAS 7	RK	RLS	5-23	89-250
E	ITEM 5 WAS 1-400-05091; ITEM 15 WAS 32 FT. ITEM 16 WAS 7; ITEM 22 WAS 8; ADDED ITEM 23	JMG	DAS	7-21	89-335
F	ADDED DRAWING 2/2	RLH	SAL	7-19	00-032

REV	DESCRIPTION	BY	CHK'D	DATE	REL. NO.
A	IT. #3 WAS HHMS 1/4 x 3/4 SELF TAP P/N 0-223-15206	CHH	RLS	2-13	89-096
B	ADDED VIEW D-D AND INSTALLATION NOTE # 5	DLB	JMG	3-30	89-189
C	REVISED NOTE 3. ADDED LOCATING DIM FOR TAIL LIGHTS	RK	RLS	5-17	89-247



INSTALLATION NOTES:

1. TRUCK TAIL LIGHTS TO BE RELOCATED APPROX. AS SHOWN. DRILL AND TAP IF REQUIRED INTO SUB FRAME USING EXISTING TAIL LIGHT FASTENERS FOR MOUNTING. TRUCK CHASSIS HARNESS TO BE CONNECTED TO NEW TAIL LIGHT LOCATIONS. WIRE HARNESS ITEM 11 TO BE LOCATED APPROX. AS SHOWN.
2. CUT WIRES TO LENGTH & SPLICE INTO MARKER LIGHT WIRING ON SUB FRAME USING ITEM 10.
3. CUT WIRES TO LENGTH & ATTACH TERMINAL RING ITEM 6 TO OUTTRIGGER TERMINAL IN CONTROL CONSOLE.
4. REPLACE ANY EXISTING TAIL LIGHT BRACKET WITH ITEM 12.

SECTION A-A
(SCALE: NONE)

ITEM	QTY	DESCRIPTION	PART NUMBER
16	4	NUT, HEX 0.3125-18, ST Z GR5	N04-312C000-25
15	4	WSH, LCK, MED-SPLT 0.3125, ST Z	W07-312X000-20
14	8	WSH, FL, TYPB-REG 0.3125, ST Z	WBR-31RX875-20
13	4	SCR, HHCS, FL 0.312-18 X 1.25, ST Z G5	SHF-312CA25-25
12	2	BRACKET, TAIL LIGHT	789-05681
11	1	WIRE HARNESS, TAIL LIGHT- ALARM - O/R	400-25163
10	2	TERMINAL-BUTT CONNECTION 16/14 GA	400-02230
9	8.8FT	SEAL TRIM (106 INCHES)	209-00174
8	1	TERMINAL RING, #8 - 16/14 GA	400-02323
7	3	GRDMMET, 2 1/2" LITE & 3" HOLE TL#10704	400-09318
6	3	LIGHT, 2 1/2" RED REFLECTIZED TL#10205R	400-09113
5	1	HDRN ASSY, ECCD #DF532	714A1432
4	2	NUT, HEX, NYL-INS 0.25-20, ST Z G5	NYL-250C000-25
3	2	WSH, FL TYPB-REG 0.25, ST Z	WBR-25RX734-20
2	2	SCR, HHCS, FL 0.25-20 X 1.00, ST Z G5	SHF-250CA00-25
1	REF	SUBFRAME WELDMENT	BOOM TRUCKS
			PART NUMBER

UNLESS OTHERWISE SPECIFIED:
ALL DIMENSIONS IN INCHES
TOLERANCES-UNLESS NOTED:
.X = ±.12
.XX = ±.06
.XXX = ±.020

DO NOT SCALE DRAWING
MATERIAL LISTED
FINISH N/A

NAME	DATE
DRAWN D. BELL	11/29
CHECKED RLS	12/17

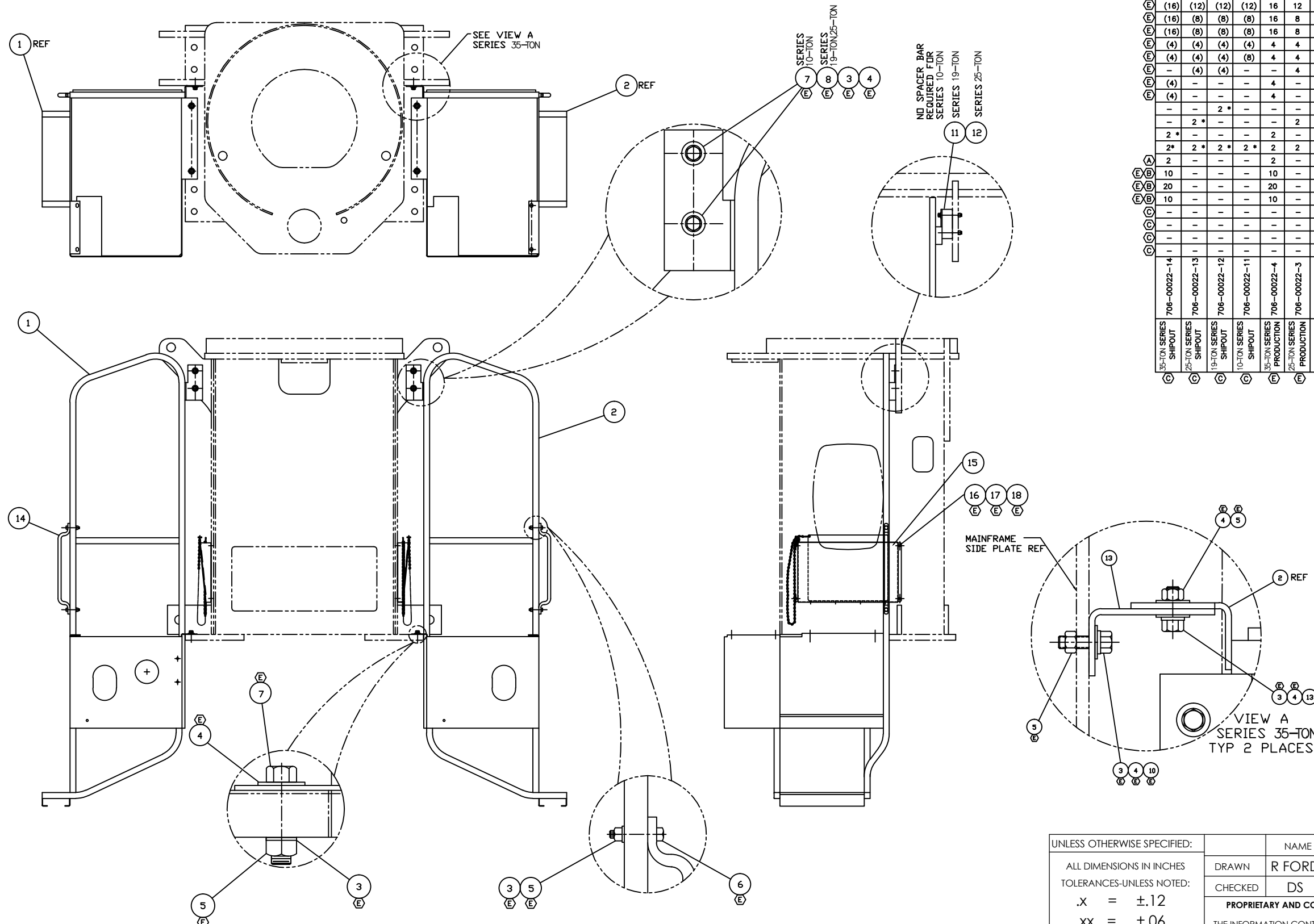
PROPRIETARY AND CONFIDENTIAL
THE INFORMATION CONTAINED IN THIS DRAWING IS THE SOLE PROPERTY OF LOAD KING TRAILERS. ANY REPRODUCTION IN PART OR AS WHOLE WITHOUT THE WRITTEN PERMISSION OF LOAD KING TRAILERS IS PROHIBITED.

THIRD ANGLE PROJECTION



TITLE:
SUBFRAME ELECTRICAL INSTALL

SIZE	DWG. NO.	REV
B	691-00001	Q
SCALE: 1:12 WEIGHT: 5#		SHEET 1 OF 1



QTY.	QTY.	QTY.	QTY.	QTY.	QTY.	QTY.	QTY.	QTY.	ITEM	PART NO.	DESCRIPTION	KIT #
1	1	1	1	1	1	1	1	1	1	709-01301	PLATFORM, WELD LH	
1	1	1	1	1	1	1	1	1	2	709-01300	PLATFORM, WELD RH	
(E)	(16)	(12)	(12)	(12)	16	12	12	12	3	W07-375X000-20	WSH, LCK, MED SPLT 0.375, ST SQC	▲▲▲▲▲
(E)	(16)	(8)	(8)	(8)	16	8	8	8	4	WAR-375X000-22	WSH, FL TYPB-REG 0.375, ST SQC G2	▲▲▲▲▲
(E)	(16)	(8)	(8)	(8)	16	8	8	8	5	N04-375C000-22	NUT, HEX 0.375-16, ST SQC G2	▲▲▲▲▲
(E)	(4)	(4)	(4)	(4)	4	4	4	4	6	S01-375CB00-25	SCR, HHCS 0.375-16X2.00,ST SQC G5	▲▲▲▲▲
(E)	(4)	(4)	(4)	(4)	4	4	4	4	7	S01-375CA75-25	SCR, HHCS 0.375-16X1.75,ST SQC G5	▲▲▲▲▲
(E)	-	(4)	(4)	-	-	4	4	-	8	S01-375CC50-25	SCR, HHCS 0.375-16X3.50,ST SQC G5	▲▲▲▲▲
(E)	(4)	-	-	-	4	-	-	-	9	SHF-375CA00-25	SCR,HHCS FT 0.375-16X1.00,ST SQC G5	▲▲▲▲▲
(E)	(4)	-	-	-	4	-	-	-	10	SHF-375CA25-25	SCR,HHCS FT 0.375-16X1.25,ST SQC G5	▲▲▲▲▲
-	-	-	-	-	-	-	-	-	11	783-02896	SPACER BAR	
-	2 *	-	-	-	-	2	-	-	12	783-03022	SPACER BAR	
2 *	-	-	-	-	2	-	-	-	13	770-02492	BRACKET MOUNTING PLATFORM	
2 *	2 *	2 *	2 *	2	2	2	2	2	14	209-00444	GRAB HANDLE #2399-D	
(A)	2	-	-	-	2	-	-	-	15	209-00866	ASSY, CAP HOLDER W/ MTG PLT	
(E)(B)	10	-	-	-	10	-	-	-	16	N04-250C000-25	NUT, HEX 0.25-20, ST SQC G5	
(E)(B)	20	-	-	-	20	-	-	-	17	WBR-25RX734-20	WSH, FL TYPB-REG 0.25, ST SQC	
(E)(B)	10	-	-	-	10	-	-	-	18	SHF-250C750-25	SCR,HHCS FT 0.25-20X0.75,ST SQC G5	
(C)	-	-	-	-	-	-	-	-	19	210-00082-1	BT PLATFORM HARDWARE KIT (2000)	▲
(C)	-	-	-	-	-	-	-	-	20	210-00082-2	BT PLATFORM HARDWARE KIT (3000)	▲▲
(C)	-	-	-	-	-	-	-	-	21	210-00082-3	BT PLATFORM HARDWARE KIT (4000/5000)	▲▲▲
(C)	-	-	-	-	-	-	-	-	22	210-00082-4	BT PLATFORM HARDWARE KIT (7000)	▲▲▲▲

▲ = BT PLATFORM SHIPOUT HARDWARE KIT
 (C) * SHIPOUT PART MARKING: MARK BOX, BAG OR TAG WITH PART NUMBER APPROX AS SHOWN.

E	11/02/17	CHANGED: W07-375X000-20 WAS 222-12001 WAR-375X000-22 WAS 222-02005 N04-375C000-22 WAS 221-02001 S01-375CB00-25 WAS 220-02011 S01-375CA75-25 WAS 220-02007 S01-375CC50-25 WAS 220-02008 SHF-375CA00-25 WAS 220-02004 SHF-375CA25-25 WAS 220-02002 N04-250C000-25 WAS 221-00001 WBR-25RX734-20 WAS 222-00006 SHF-250C750-25 WAS 220-00003	296A106101
D	12-20-05	ADDED ALTERNATE FILTER MOUNTING HOLE	296A10695
C	12-20-05	ADDED 706-00022-11 THRU 706-00022-14, SHIPOUTS ADDED ITEM 19 THRU 22, PROVIDED BY HARDWARE KITS	N530
B	6-14-05	CHANGE QTY'S , ITEMS 16, 17, & 18	N815
A	5-26-05	ADDED ITEMS, 15, 16 17 & 18	N844
	3/25/04	PRODUCTION RELEASE	P566
REV. LET.	L.E.N. DATE	CHANGE	ALL CHANGES MUST BE MADE ON CAD. E.C.N.

UNLESS OTHERWISE SPECIFIED:

ALL DIMENSIONS IN INCHES
 TOLERANCES-UNLESS NOTED:
 .X = ±.12
 .XX = ±.06
 .XXX = ±.020

DO NOT SCALE DRAWING

MATERIAL LISTED
 FINISH N/A

DRAWN R FORD
 CHECKED DS

PROPRIETARY AND CONFIDENTIAL

THE INFORMATION CONTAINED IN THIS DRAWING IS THE SOLE PROPERTY OF LOAD KING TRAILERS. ANY REPRODUCTION IN PART OR AS WHOLE WITHOUT THE WRITTEN PERMISSION OF LOAD KING TRAILERS IS PROHIBITED.

THIRD ANGLE PROJECTION

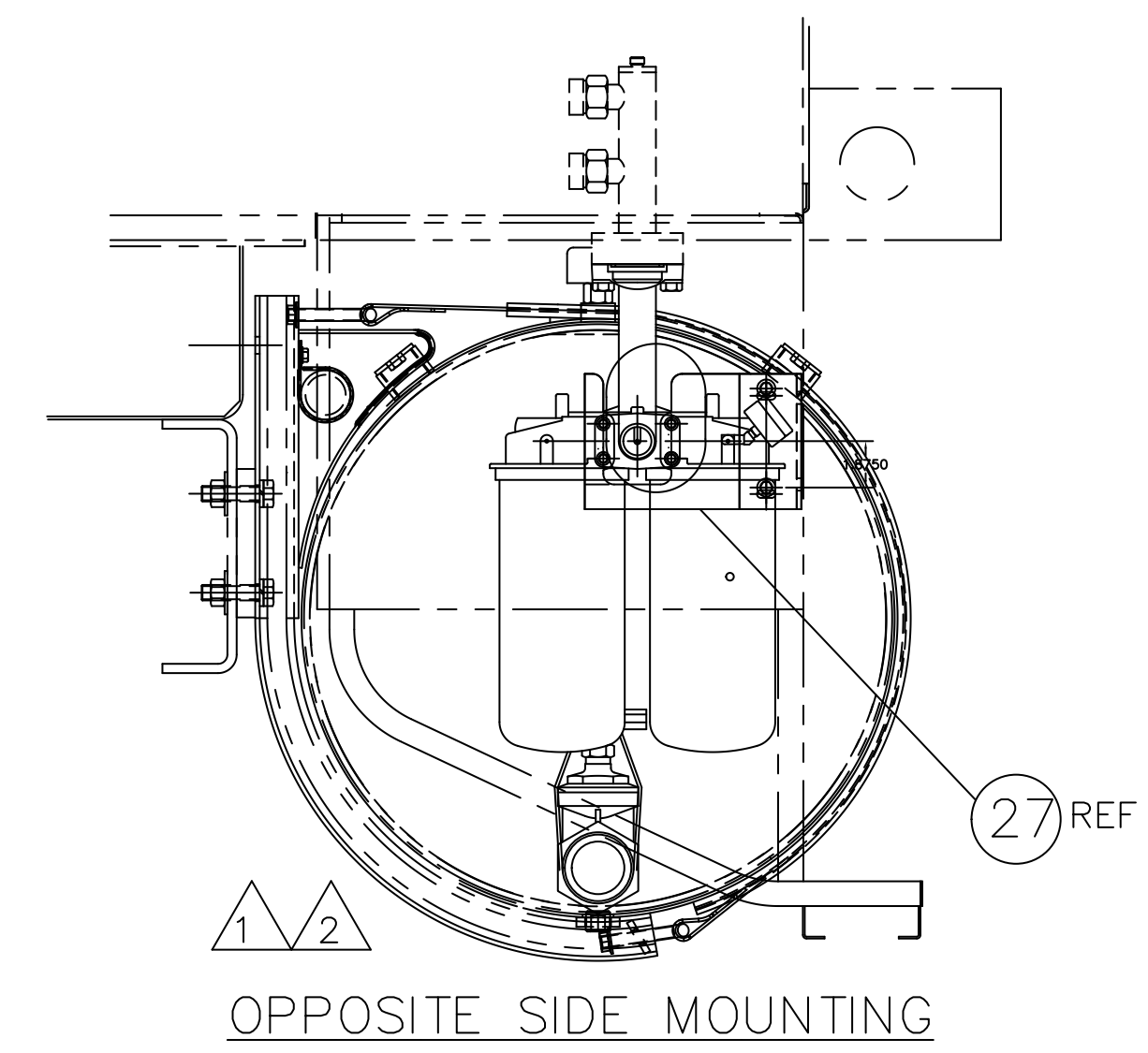
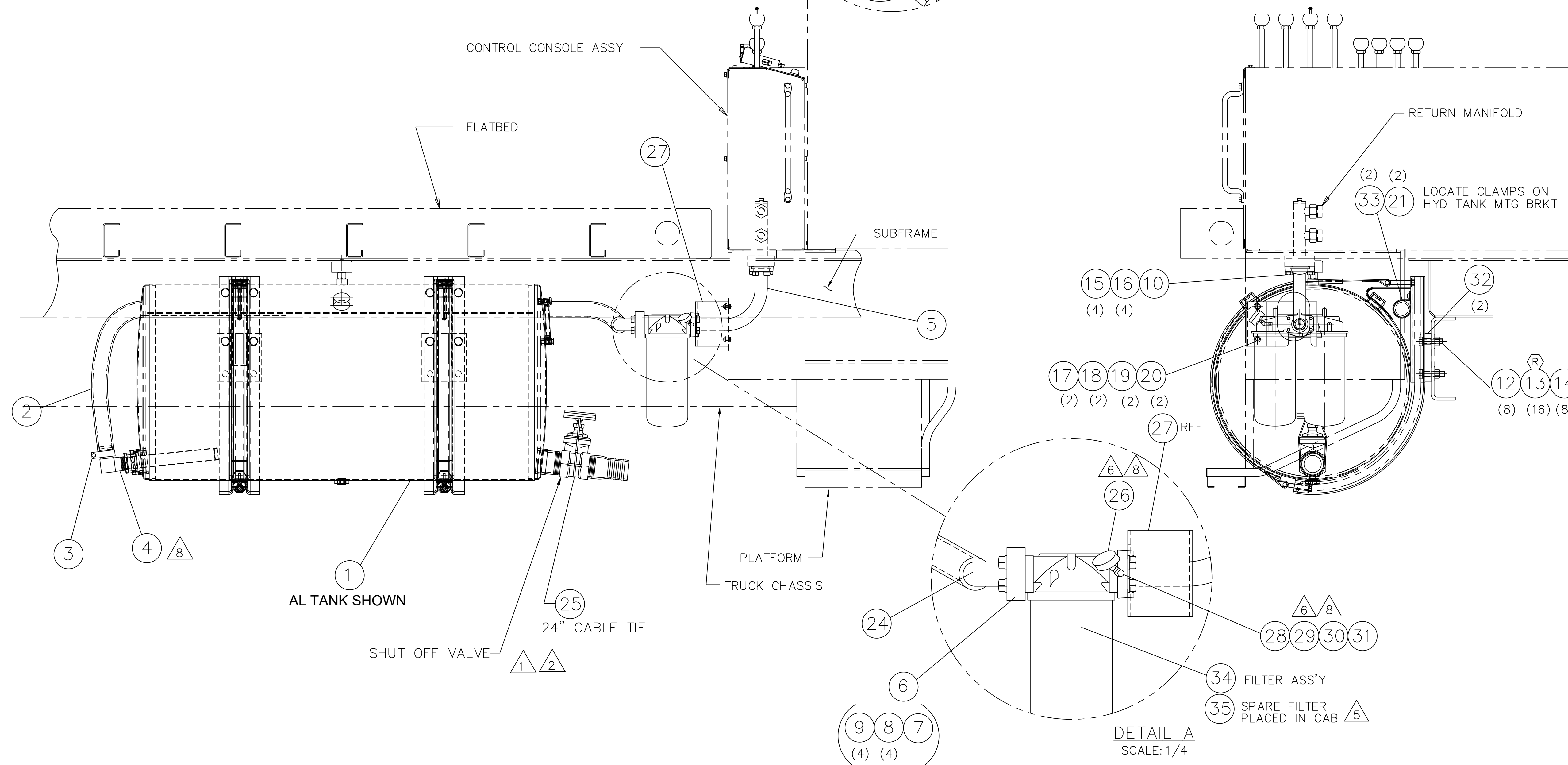
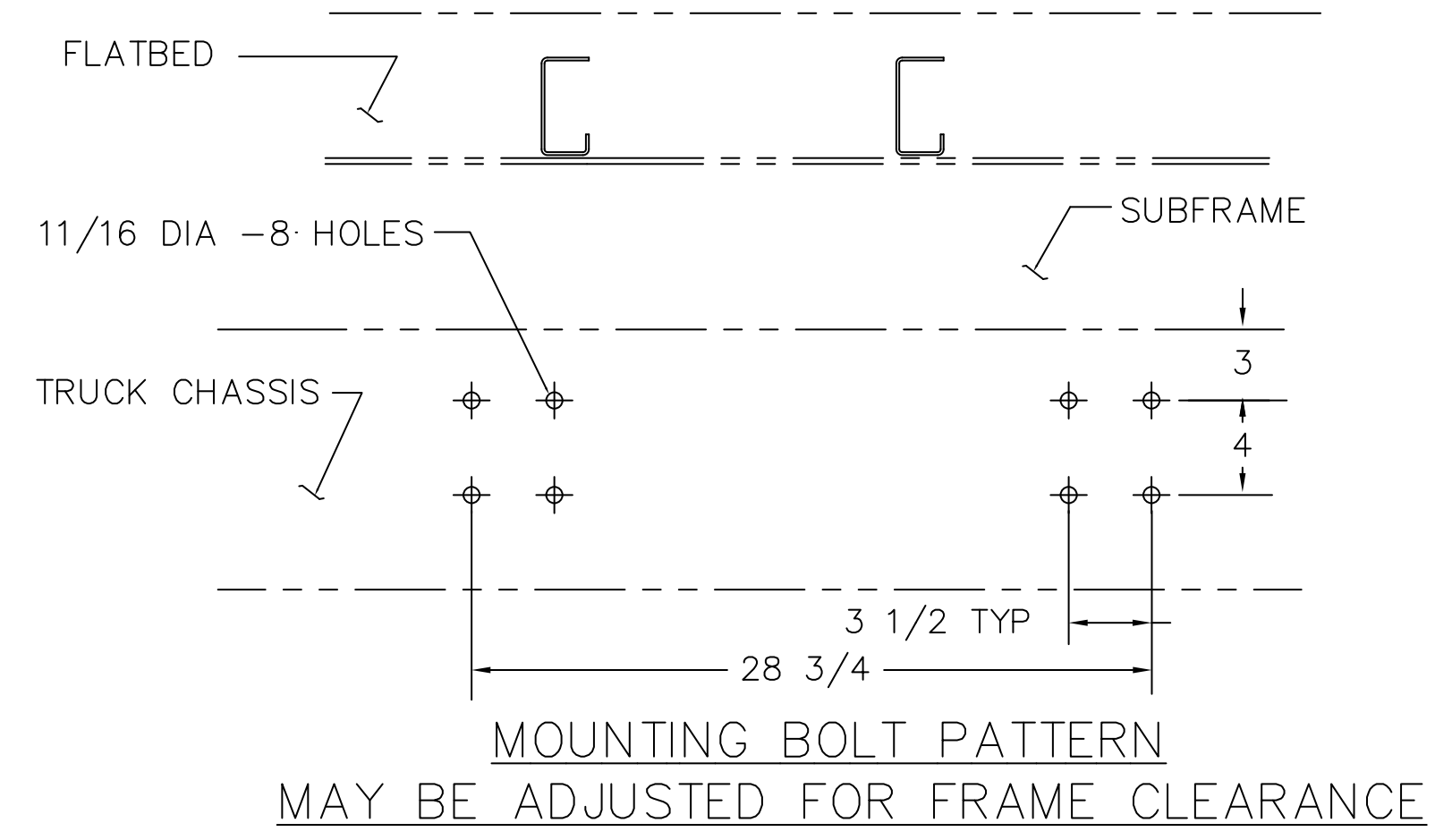
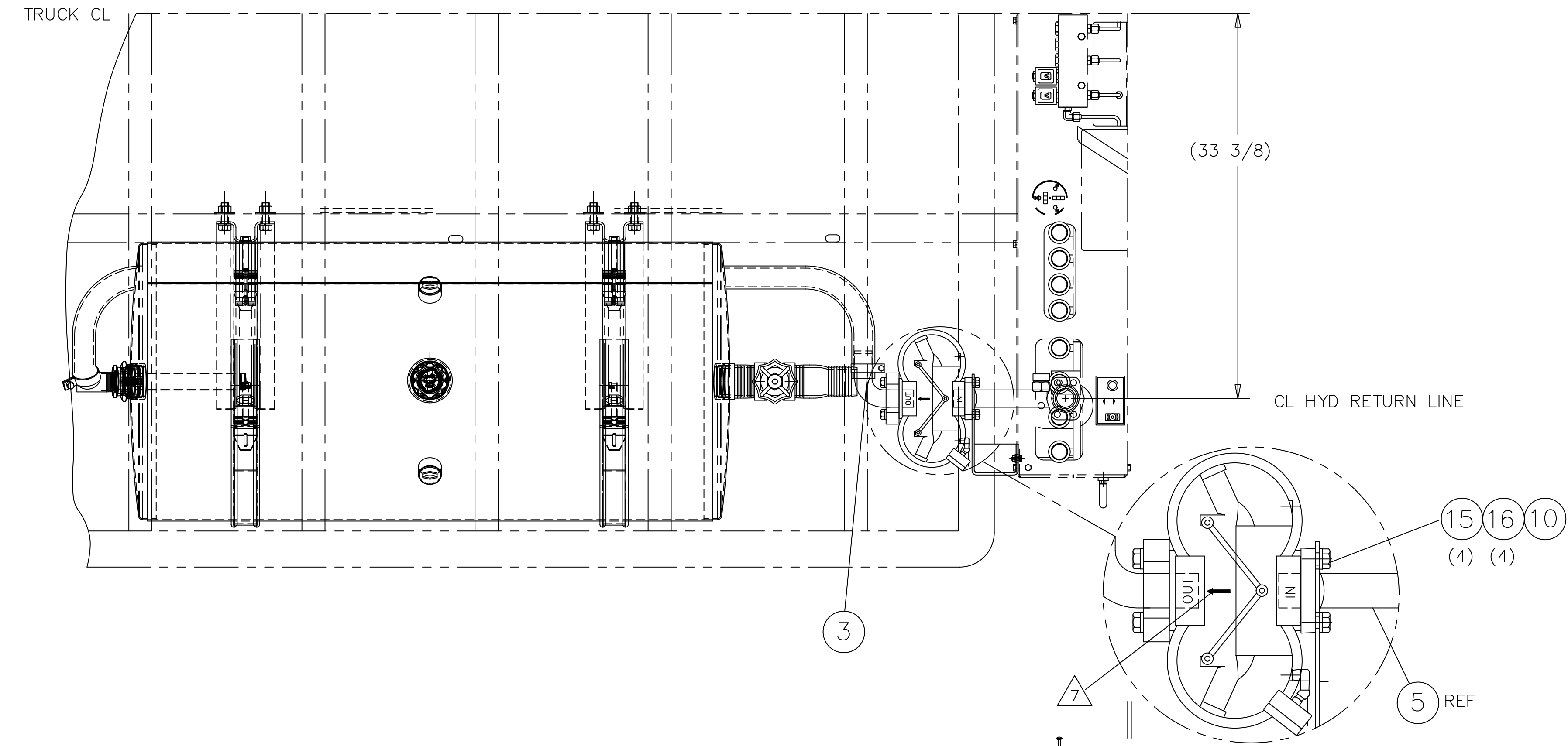
LOAD KING

TITLE: PLATFORM INSTALLATION

SIZE DWG. NO. REV
B 706-00022 **E**

SCALE: NONE WEIGHT: N/A SHEET 1 OF 1

- NOTES:
- 1. SHUTOFF VALVE IS TO BE FULLY OPEN TO AVOID DAMAGE TO PUMP. ADD A 24" CABLE TIE TO THE HANDLE TO INSURE THAT THE VALVE HAS NOT BEEN TURNED OFF.
 - 2. IF SHUTOFF VALVE IS CLOSED FOR ANY REASON DURING ASSEMBLY; IT MUST BE TAGGED "CLOSED - OPEN BEFORE RUNNING PTO".
 - 3. (NOTE 3 REMOVED)
 - 4. DRAWING SHOWS INSTALLATION OF HYDRAULIC RESERVOIR ON CURBSIDE WHICH CORRESPONDS TO LOCATION OF RETURN MANIFOLD IN CONTROL CONSOLE. IF RETURN MANIFOLD IS LOCATED ON STREETSIDE THEN HYDRAULIC RESERVOIR IS TO BE MOUNTED ON STREETSIDE.
 - 5. FILTER ELEMENT ITEM 35 TO BE PLACED IN CAB DURING INSTALLATION. FOUR ELEMENTS REQUIRED, 2 INSTALLED AND 2 SHIPPED AS SPARES.
 - 6. BYPASS GAUGE TO BE MOUNTED ON INLET SIDE OF FILTER HOUSING. MAKE SURE UNUSED PORT IS PLUGGED. SEE DETAIL A.
 - 7. FILTER TO BE INSTALLED WITH FLOW ARROW POINTING TOWARDS TANK.
 - 8. APPLY PIPE THREAD SEALANT TO ALL PIPE THREADS. DO NOT OVERTIGHTEN.
 - 9. ITEMS INCLUDED WITH FLANGE KIT ITEM 6.



DETAIL A
SCALE: 1/4"

Qty.	Item	Part No.	Description	Wt.
1	1	875-90336	ASSY HYD RES RND STEEL	
11 FT	2	503-03001	HOSE, 1 1/2 I.D. SAE 100R4	
2	3	201-00260	CLAMP, HOSE 1 1/2 T-BOLT	
1	4	504-00706	COUPLING, HOSE 90#4501-24-20	
1	5	510-90279	TUBE ASSY-RETURN W/FLANGES	
1	6	505-03003	SPLIT FLANGE HALF 1 1/2 W/HWARE	
(1)	7	260-30004	O-RING PARKER #224	
(4)	8	W07-500X000-20	WSH, LCK, MED SPLT 0.50, ST SOC	
(4)	9	S01-500CA50-25	SCR, HHCS 0.50-13X1.50,ST SOC G5	
2	10	260-30004	O-RING PARKER #224	
	11			
8	12	NYL-625C000-25	NUT,HEX NYL-INS 0.625-11,ST SOC G5	
16	13	WAW-62WX000-20	WSH, FL TYPA-WD 0.625, ST SOC	
8	14	S01-625C975-25	SCR, HHCS 0.625-11X2.75,ST SOC G5	
8	15	S01-500CA50-25	SCR, HHCS 0.50-13X1.50,ST SOC G5	
8	16	W07-500X000-20	WSH, LCK, MED SPLT 0.50, ST SOC	
2	17	SHF-312C750-25	SCR,HHCS FT 0.312-18X0.75,ST SOC G5	
2	18	W07-312X000-20	WSH, LCK, MED SPLT 0.3125,ST SOC	
2	19	WBR-31RX875-20	WSH, FL TYPB-REG 0.3125, ST SOC	
2	20	N04-312C000-25	NUT, HEX 0.3125-18, ST SOC G5	
2	21	SHS-312XA00-20	SCR, HEX, SLF DR, 5/16 X 1.00	
	22			
	23			
1	24	504-03407	HOSE END 90° 1 1/2 1/2 3-776	
1	25	400-15187	CABLE TIE 24" HEAVY BLK NYLON	
1	26	935-00113	FILTER BY-PASS GAUGE	
1	27	770-02621	MTG BRACKET HYD FILTER	
1	28	1219-4	ELBOW, 90° STREET	
1	29	1219-59	ELBOW, 45° PARKER 2214P-2-2	
1	30	1219-99	NIPPLE CLOSED PARKER 215PN-2	
1	31	1219-134	COUPLING PARKER 207P-2-2	
2	32	789-05507	PLATE, HYD TANK FRAME SPACER	
2	33	1240-59	CLAMP, 2 INCH I.D.	
1	34	501-02012	RETURN LINE FILTER ASS'Y	
2	35	501-02018	FILTER ELEMENT	

876-00060-1
90 GA. TANK PRODUCTION

R	11/06/17	CHANGED: WAW-62WX000-20 WAS WAR-625X000-22	296A106121
Q	1/15/2013	REV QTY ITEMS 18, 19, QTY 2 WAS QTY 5 ITEM 21, SHS-312XA00-20 WAS 223-15210 ITEM 33, 1240-59 WAS 201-00181 UPDATED HARDWARE TO NEW STANDARD	296A102890
P	9/14/2010	ADDED OPTIONAL TANK FORWARD	296A100695
N	10/14/08	ITEM 35 WAS 501-02014	M058
M	1-09-06	REDRAWN, PROVIDING A NEW DRAWING FORMATE ADDED 876-00060-1, 90 GA TANK PRODUCTION ITEM 3, HOSE CLAMP, 201-00260 WAS 400-15088 ITEM 25, CABLE TIE, 400-15187 WAS 400-15088 REMOVED NOTE 3, ADDED 1219-99 & 1219-134 DROP, 220-04001(4), & 505-03001	N506
-	2/8/01	PRODUCTION RELEASE	XXX
REV. LET.	L.E.N. DATE	CHANGE	E.C.N.

UNLESS OTHERWISE SPECIFIED:

ALL DIMENSIONS IN INCHES	DRAWN	DATE
FINISHES UNLESS NOTED:	ENGINEER	DATE
X = ±.12	PROFESSOR	DATE
XX = ±.06	PROPERTY AND CONFIDENTIAL	
XXX = ±.020	THE INFORMATION CONTAINED HEREIN IS THE PROPERTY OF LOAD KING TRAILERS. ANY REPRODUCTION OR TRANSMISSION OF THIS INFORMATION WITHOUT THE WRITTEN PERMISSION OF LOAD KING TRAILERS IS PROHIBITED.	

SCALE: 1/8" = 1"

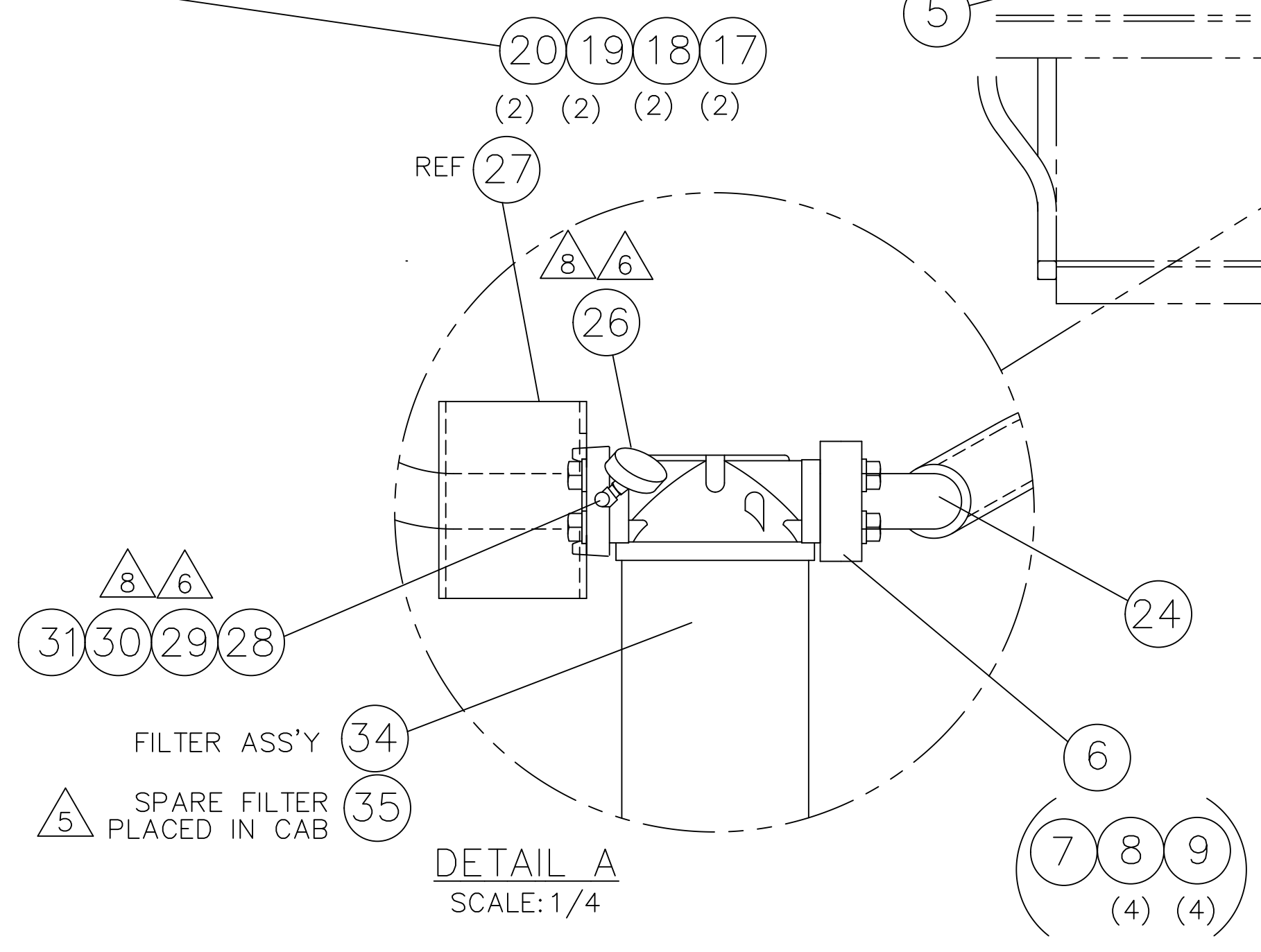
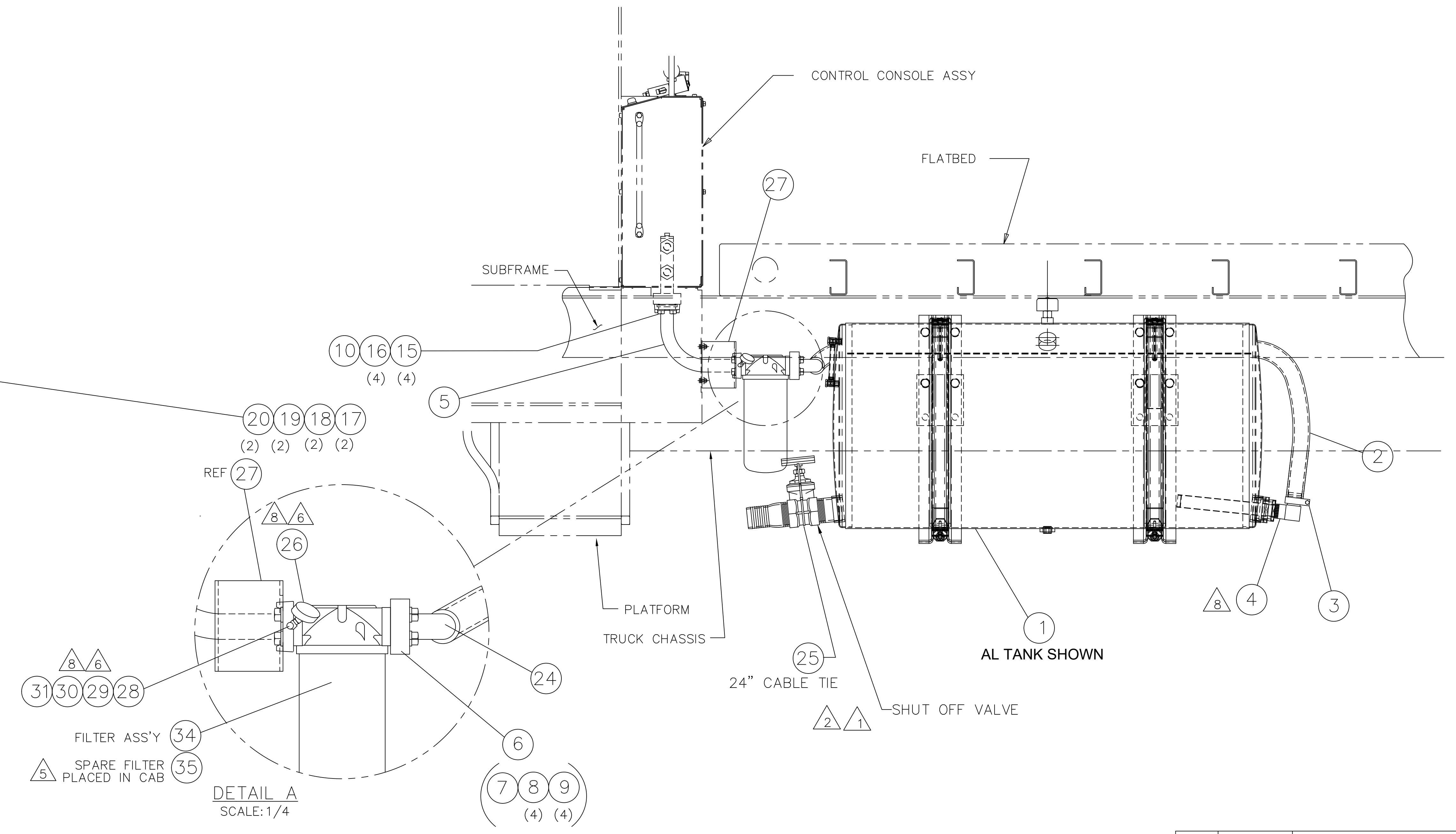
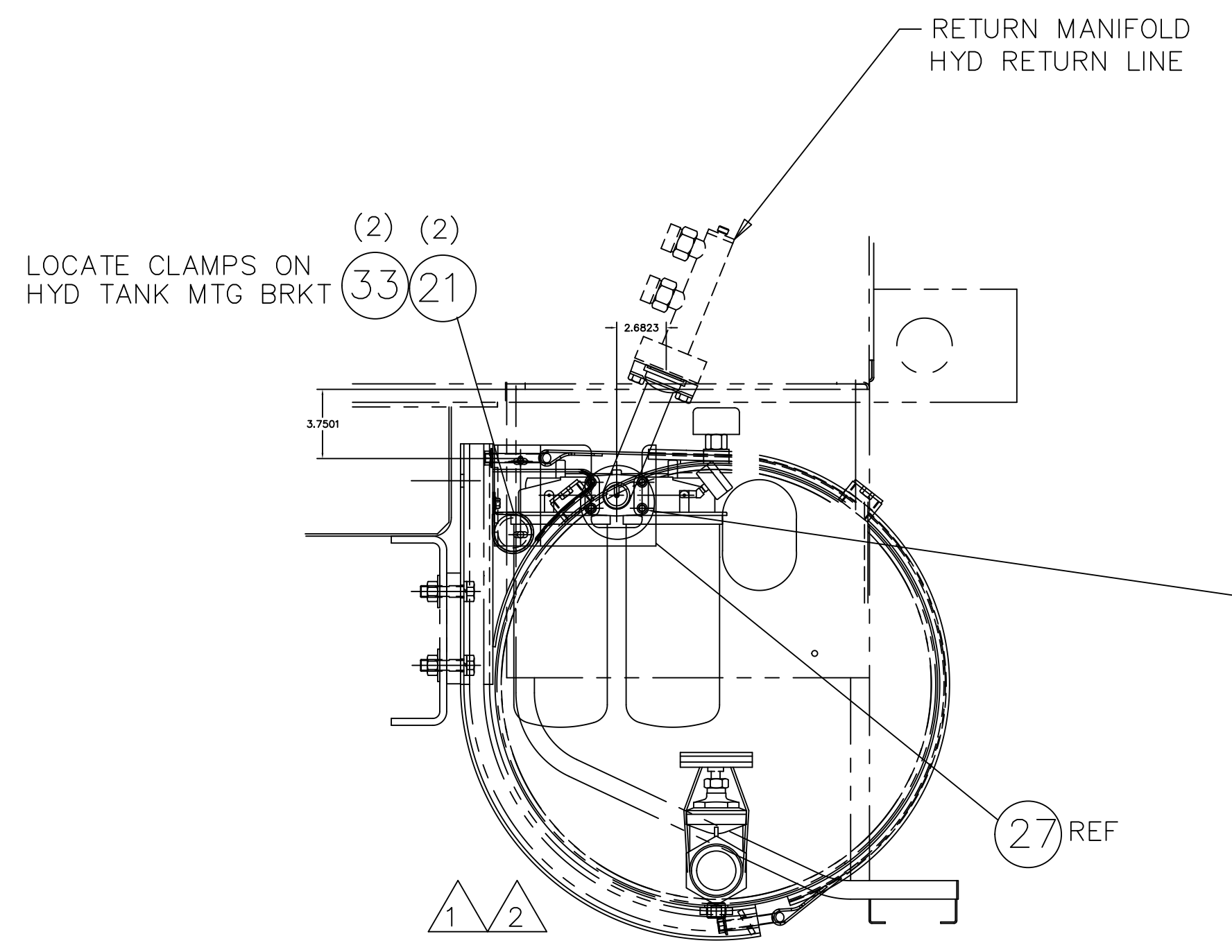
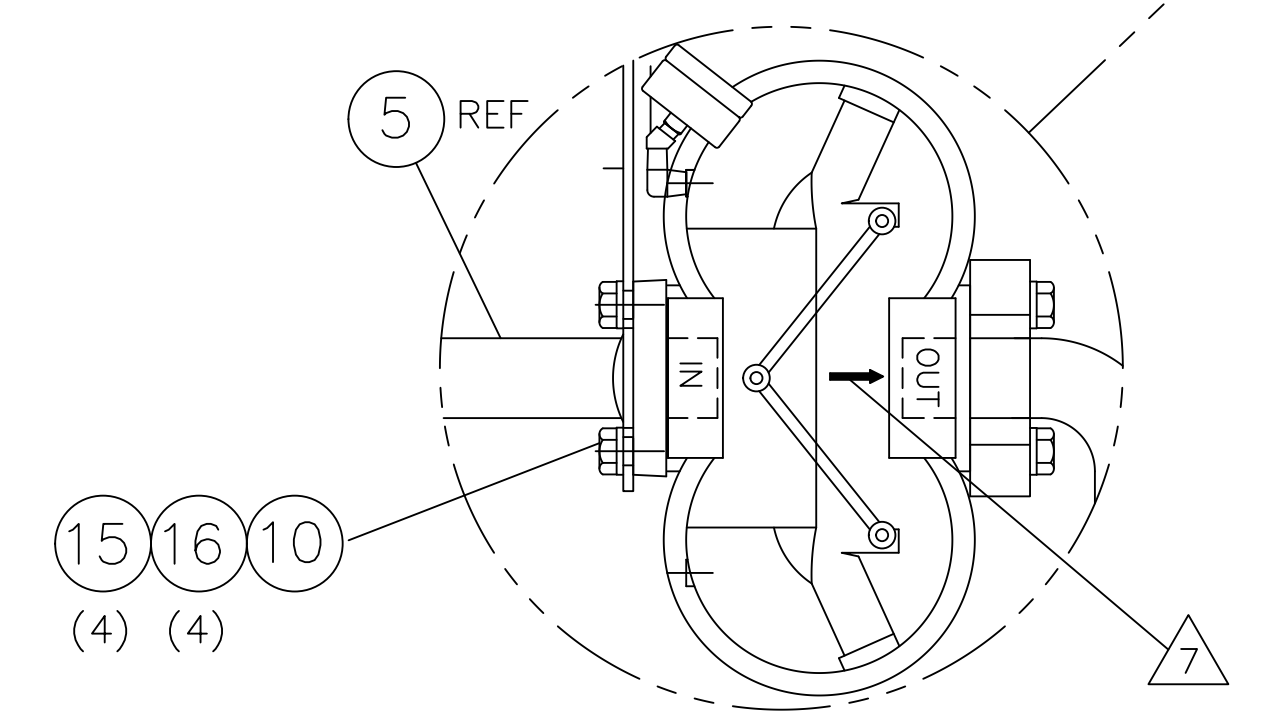
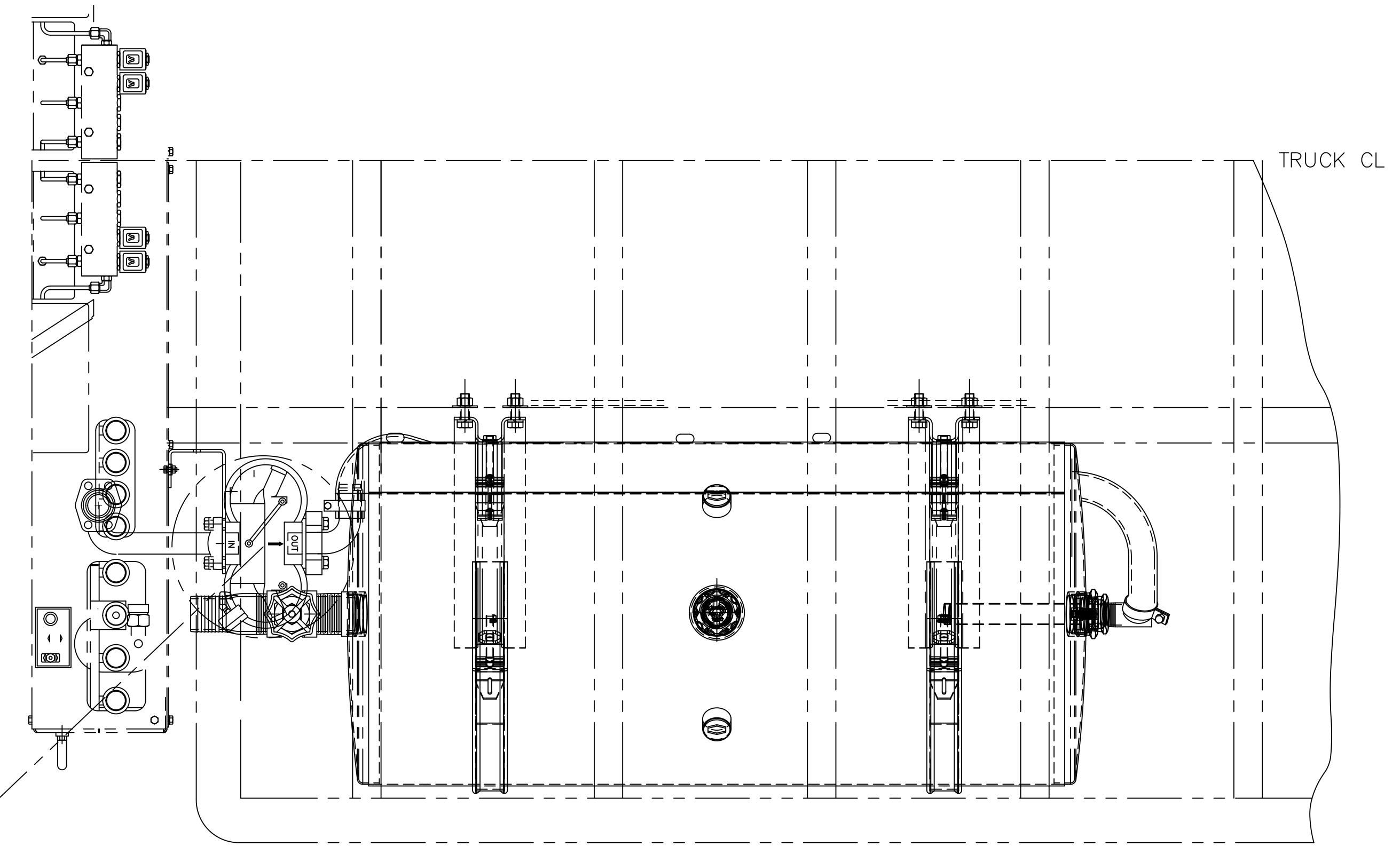
876-00060

ROUND 90 GAL
BT 90 GAL RND
TANK INSTALL

SCALE: 1/8" = 1"

876-00060

SCALE: 1/8" = 1"



OPTIONAL FILTER AND TANK MOUNTING FOR SHORT WHEEL BASE TRUCKS ON STREET SIDE

R	11/06/17	SEE SHEET 1 FOR DETAILS	296A106121
Q	1/15/2013	SEE SHEET 1 FOR DETAILS	296A102890
P	9/14/2010	SEE SHEET 1 FOR DETAILS	296A100695
N	10/14/08	ITEM 35 WAS 501-02014	M058
M	1-09-06	REDRAWN, PROVIDING A NEW DRAWING FORMATE ADDED 876-00060-1, 90 GA TANK PRODUCTION ITEM 3, HOSE CLAMP, 201-00260 WAS 201-00146 ITEM 25, CABLE TIE, 400-15187 WAS 400-15088 REMOVED NOTE 3, ADDED 1219-99 & 1219-134 DROP, 220-04001(4), & 505-03001	N506
-	2/8/01	PRODUCTION RELEASE	XXX
REV. LET.	L.E.N. DATE	CHANGE	E.C.N.

4

3

2

1

D

D

C

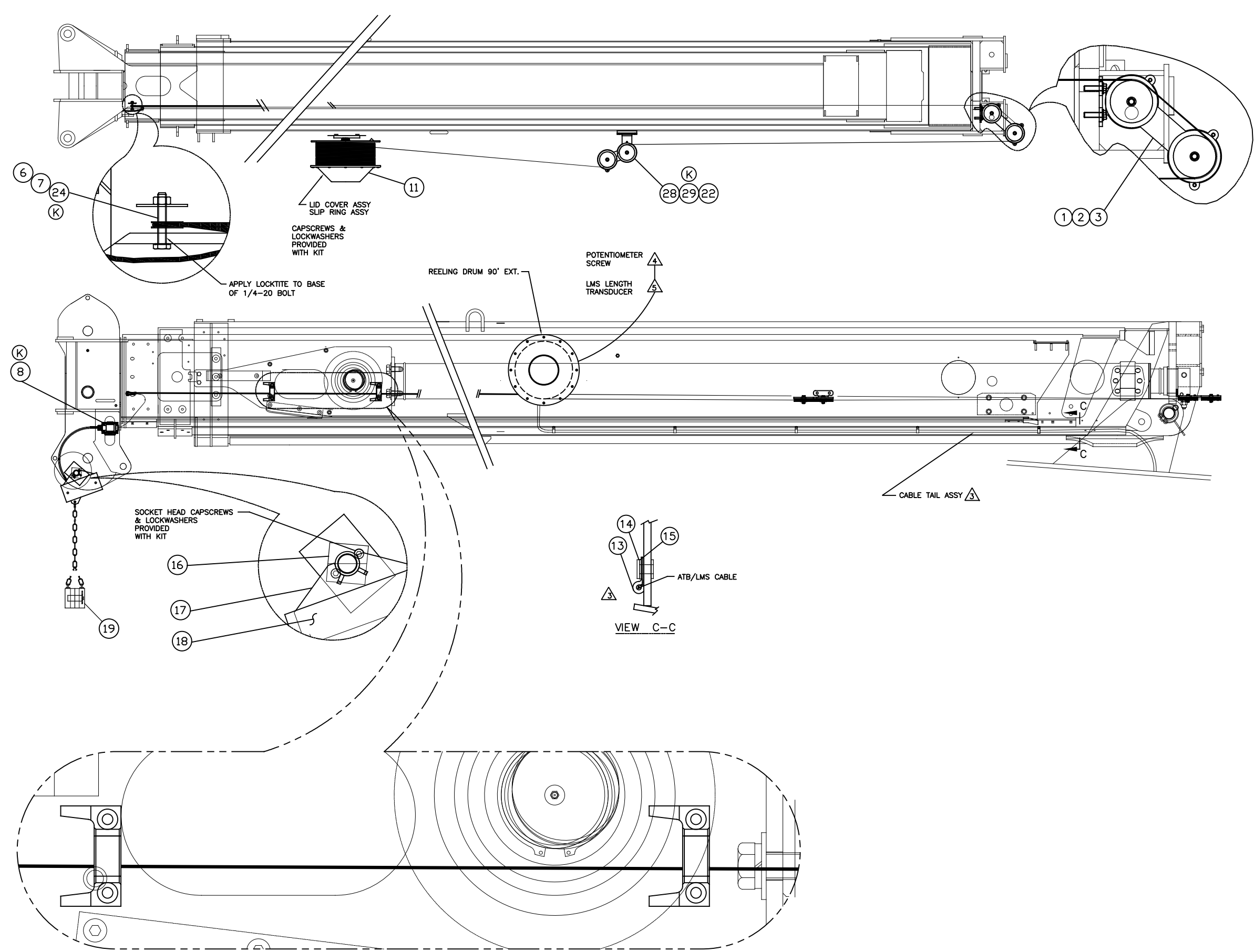
C

B

B

A

A



QTY.	ITEM	PART NO.	DESCRIPTION	KIT
1	1	861-90494	INTERNAL LMI SHEAVE ASSY - REAR	
4	2	WAR-375X000-22	WSH, FL TYP A-REG 0.375, ST SQC G2	
2	3	SHF-375CA00-25	SCR,HHCS FT 0.375-16X1.00,ST SQC G5	
4	4			
5	5			
1	6	SHF-250CA50-25	SCR,HHCS FT 0.25-20X1.50,ST SQC G5	
1	7	WFD-250XA50-20	WSH, FNDR 0.25X1.50, ST SQC	
2	8	S14-125C500-HB	SCR, SHCS 05-40 X 0.50, ST BX	
9	9			
10	10			
1	11	861-90532	REEL/A-LMS/ATB	
12	12			
5	13	201-00141	CLAMP #1/4 x 0.40 HOLE	
5	14	226-00021	RIVET, 0.50HD x 0.25D x 0.63 LG	
5	15	WAW-25WX000-20	WSH, FL TYP A-WID 0.25, ST SQC	
(1)	16	774-00054	BRACKET, ATB SWITCH	▲
1	17	729-02729	LMI/ATB SWITCH BRACKET, WELD	
(1)	18	861-90434	ATB SWITCH ASSY HEAVY DUTY	▲
(1)	19	717 0882	CTWT W/ CHAIN	▲
20	20			
21	21			
2	22	SHF-375C750-25	SCR,HHCS FT 0.375-16X0.75,ST SQC G5	
23	23			
1	24	NTP-250C000-25	NUT,HEX TPLCK 0.25-20,ST SQC G5	
25	25			
26	26			
2	27	W07-375X000-20	WSH, LCK, MED SPLT 0.375, ST SOC	
1	28	861-90496	INTERNAL LMI SHEAVE ASSY - FRONT	
2	29	WAH-37NX000-20	WSH, FL HRD A-NRW 0.375, ST SOC	

- NOTES:**
- LMI CENTRAL UNIT CONTAINS PREWIRED PRESSURE TRANSDUCERS. VERIFY ELECTRICAL CONNECTIONS AS SHOWN ON ELECTRICAL BOX INSTALL DWG. WIRE HARNESS FOR DISPLAY WILL NEED TO BE ROUTED THRU HOLE IN COVER.
 - CABLE REEL IS TO HAVE NECESSARY TENSION TO WIND UP CABLE ON REEL WHEN BOOM IS FULLY RETRACTED. IF CABLE REEL TENSION IS NOT ADEQUATE THEN ROTATE REEL CCW AND WIND EXCESS CABLE BACK ONTO REEL FOR INCREASED CABLE TENSION. THIS IS TO BE DONE UNTIL TENSION IS ADEQUATE TO WIND UP CABLE ON CABLE REEL WHEN BOOM IS IN FULLY RETRACTED POSITION.
 - MOUNT ATB/LMS CABLE FROM CABLE REEL ALONG THE SIDE OF BOOM USING CABLE CLAMPS (13). SEE VIEW C-C. SEE ELECTRICAL BOX INSTALL DWG FOR ELECTRICAL CONNECTIONS.
 - PLACE THE BOOM IN AN EXACT HORIZONTAL POSITION USING A DIGITAL LEVEL. ADJUST REEL BOOM ANGLE POTENTIOMETER SCREW TO SHOW 0° BOOM ANGLE ON SBE DISPLAY.
 - FOR LENGTH AND ANGLE SETUP SEE INSTALLATION MANUAL.
 - SEE ELECTRICAL SCHEMATIC FOR ELECTRICAL CONNECTIONS.
 - ALL HOSES AND FITTINGS SHALL REMAIN PLUGGED FOR SHIPOUTS.
 - PART OF ATB GREER PARTS KIT 861-90387

K	12/26/17	CHANGED: S14-125C500-HB WAS 220-30024, NTP-250C000-25 WAS 221-90001, WAH-37NX000-20 WAS WAH-37NX000-Y2.	296A106297
J	8/20/15	REVISE BOM	296A104999
I	06/05/14	DRDP: 222-02005 (4), 861-90386 ADD: 861-90532	296A103897
H	10/27/06	DRDP: 222-02005 (4), 861-90387 ATB GREER PARTS KIT	N149
G	06/14/06	DESCRIPTIVE NAME OF BOM "7000 SERIES" WAS "RS70100" DESCRIPTION IN TITLE BLOCK "7000 SERIES" WAS "RS70100" PICTORIALLY UPDATE CABLE GUIDES TO NEW STYLE DELETE REAR VIEW, SCALE DETAIL VIEW DOWN ADD ITEM 3, HHCS 5/16-18 x 1" LG - QTY 2 ADD ITEM 2, 222-01001 5/16 FLAT WASHER - QTY 2 ADD ITEM 1, 861-90494 INTERNAL LMI SHEAVE ASSY - QTY 1 DRDP ITEM 18, 861-90470 LMI CABLE OFFSET ASSY - QTY 1 DRDP ITEM 5, 221-02001 HEX NUT 3/8-16 - QTY 4 DRDP ITEM 4, 865-00028 LMI CABLE EYELET - QTY 1 DRDP ITEM 3, 221-00021 WASHER 0.625 ID x 0.25 ID - QTY 4 DRDP ITEM 2, 220-00021 HHCS 1/4-20 x 5/8" LG - QTY 4 DRDP ITEM 1, 861-90469 INTERNAL LMI SHEAVE ASSY - QTY 1	N280
F	10/24/05	REMOVED 400-16135 GREER KIT, 201-00253 FASTENER, 220-30025 ADDED 861-90387 GREER PARTS KIT & 861-90386 REEL/A-LMI/ATB	N620
E	10/06/05	PART NUMBERS WERE NOT CHANGED WITH NEW RCI KIT 861-90467 WAS 861-90434, 861-90466 WAS 861-90386	NA
D	6/16/05	ADDED NOTES ITEM 15, QTY 5 WAS 9 ITEM 24, QTY 1 WAS 3 DRDP ITEM 20, 400-16119 GREER LMI DISPLAY (REFERENC DNLY) DRDP ITEM 23, 220-00021 HHCS 1/4-20 x 5/8" LG - QTY 4 DRDP ITEM 26, 400-16122 GREER MG-SBE COMP CONTROL (REF DNLY) DRDP ITEM 27, 717-0776 DUTY CHIP (REFERENCE DNLY) DELETE SHEET 2	N813
C	4/13/05	CHANGE VIEW AND ADD LOCKTITE NOTE KIT NUMBER 400-16135 WAS 400-16131 ITEM 24 QTY 3 WAS 2 ADD ITEM 7 (222-29004) FENDER WASHER 1/4 x 1 1/2" ADD ITEM 6 (220-00041) HHCS 1/4-20 x 1 1/2" FULL THREAD DRDP ITEMS 6 (223-00216) AND 7 (1209-3)	N893
B	2/7/05	ITEM 2 LENGTH 5/8" WAS 1 3/4", DRDP OFFSET ASSY ATTACH BAR	N976
A	1/7/05	DRDP 2 ITEMS & QTY CHANGS	P009
	10/24/04	PRODUCTION RELEASE	P158
REV. LET.	L.E.N. DATE	CHANGE	E.C.N.

UNLESS OTHERWISE SPECIFIED:
 ALL DIMENSIONS IN INCHES
 TOLERANCES-UNLESS NOTED:
 .x = ±.12
 .xx = ±.06
 .xxx = ±.020
 DO NOT SCALE DRAWING

MATERIAL LISTED
 FINISH N/A

THIRD ANGLE PROJECTION

NAME DATE
 DRAWN KG
 CHECKED KG

PROPRIETARY AND CONFIDENTIAL
 THE INFORMATION CONTAINED IN THIS DRAWING IS THE SOLE PROPERTY OF LOAD KING TRAILERS. ANY REPRODUCTION IN PART OR AS WHOLE WITHOUT THE WRITTEN PERMISSION OF LOAD KING TRAILERS IS PROHIBITED.

LOAD KING

TITLE:
 INTERNAL LMI
 INSTALL, INTERNAL LMI RS7000 CAB OPT

SIZE DWG. NO. REV
 C 508-00087 K

SCALE: NTS WEIGHT: SHEET 1 OF 1

4

3

2

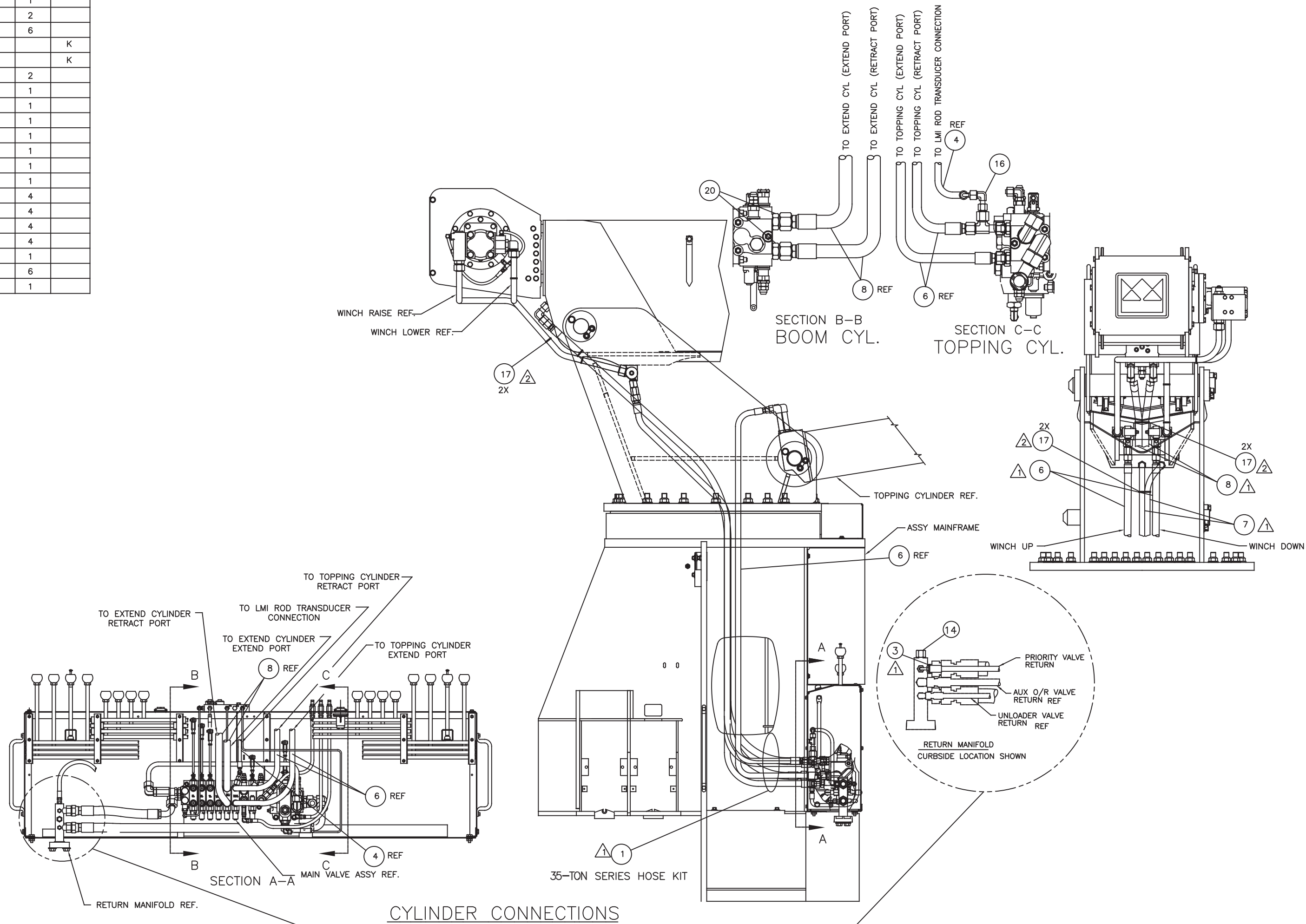
1

ITEM	PART NO.	DESCRIPTION	WT.	QTY.	REF.
1	503-92031-3	HOSE KIT, M/F ASSY 7000		1	△
2	513-50027	STR CONN. #10 ORB / #8 OFS		2	
3	502-11225	HOSE, GREER BASE/PRIORITY VALVE DRAIN		2	△
4	502-10916	HOSE, GREER BOX-ROD		1	△
5	502-30557	HOSE, SWING MOTOR CW/CCW		2	△
6	502-35068	HOSE, TOPPING CYLINDER UP/DOWN		2	△
7	502-40928	HOSE, WINCH MOTOR RAISE/LOWER		2	△
8	502-35069	HOSE, BOOM CYLINDER EXT/RET		2	△
9	502-30700	HOSE, MAIN OUTRIGGER BEAM		4	△
10	502-30699	HOSE, MAIN OUTRIGGER JACK		4	△
11	502-20864	HOSE, PRIORITY VALVE/MAIN VALVE		1	△
12	502-40828	HOSE, PRIORITY VALVE/MAIN VALVE		1	△
13	502-30635	HOSE, OUTRIGGER VALVE		1	△
14					F,G
15	513-60008	CONN. PARKER #10		1	
16	514-62002	ELBOW, 90° S.N. #4 OFS		2	
17	400-15088	NYLON CABLE TIE		6	
18					K
19					K
20	513-70030	CONN, #12 OFS X #8 ORB		2	
21	514-57011	ELBOW, PARKER SEAL-LOK		1	
22	519-50010	CAP, PARKER #8		1	
23	514-65004	ELBOW, PARKER SEAL-LOK #8		1	
24	516-84003	TEE, RUN PARKER #6		1	
25	519-40007	CAP, PARKER #6		1	
26	513-20019	CONN. PARKER #4-6		1	
27	559-00251	ASSY, VALVE PRIOR FLOW CONTROL		1	
28	220-01011	HHCS, 5/16-18 UNC X 3.50 LG		4	
29	222-01001	WASHER, FLAT 5/16"		4	
30	222-11002	WASHER, LOCK 5/16"		4	
31	221-01001	NUT, HEX 5/16-18 UNC PLTD		4	
32	559-00252	VALVE, CONTROL AUX. O/R		1	
33	513-40014	CONNECTOR, #6 OFS X #6 ORB		6	
34	513-50026	CONN. PARKER #8-6		1	

NOTES:

- 1 PART OF 503-92031-3 HOSE KIT (ITEM 1), SERIES 35-TON MAINFRAME ASSY
- 2 ROTATE FITTINGS FOR ORIENTATION SHOWN AND TIE HOSES TOGETHER USING NYLON CABLE TIES, 400-15088.

REV. LET.	L.E.N. DATE	CHANGE	ECO
-	03/30/04	PRODUCTION RELEASE	P566
C	08/17/05	ITEM 27 WAS 559-00146, ITEM 32 WAS 559-00157.	N618
D	03/07/06	ITEM 1 WAS 503-92024-3, ITEM 2 WAS 503-11045, ITEM 6 WAS 502-30535, ITEM 7 WAS 502-40719, ITEM 8 WAS 502-40511, ITEM 10 WAS DRT 3, ADD: 519-20004 QTY(1), ITEM 18 WAS 513-20023	N624
E	09/23/08	UPDATED GEOMETRY FOR WAD SWING GEAR BOX	M416
F	03/03/15	DROP: 502-21002 QTY (1) ONLY IN DWG BOM. ADD: 519-20004 QTY (1)	296A104694
G	02/19/16	DROP: 519-20004	296A105335
H	04/30/15	UPDATED: NOTE IN SECTION H-H, SHT 3.	296A104851
J	06/16/16	ADD: 519-20004	296A105551
K	07/10/17	DROP: 513-70022 QTY 1, 517-30010 QTY 1 SWITCH LABELS FOR ITEMS 33 AND 34	296A105960



REF 700-00979

UNLESS OTHERWISE SPECIFIED:	NAME	DATE	
ALL DIMENSIONS IN INCHES	DRAWN	R FORD 03/13/04	
TOLERANCES-UNLESS NOTED:	CHECKED	DS 03/13/04	
.x = ±1.5 .xx = ±0.6 .xxx = ±0.25	PROPRIETARY AND CONFIDENTIAL THE INFORMATION CONTAINED IN THIS DRAWING IS THE SOLE PROPERTY OF LOAD KING TRAILERS. ANY REPRODUCTION IN PART OR AS WHOLE WITHOUT THE WRITTEN PERMISSION OF LOAD KING TRAILERS IS PROHIBITED.		TITLE:
DO NOT SCALE DRAWING			HYD PIPING, MAINFRAME NON-CONTINUOUS ROTATION
MATERIAL LISTED			SIZE DWG. NO.
FINISH N/A			C 500-01795
			REV K
			SCALE: 1:2 WEIGHT: SHEET 1 OF 3

4

3

2

1

D

D

C

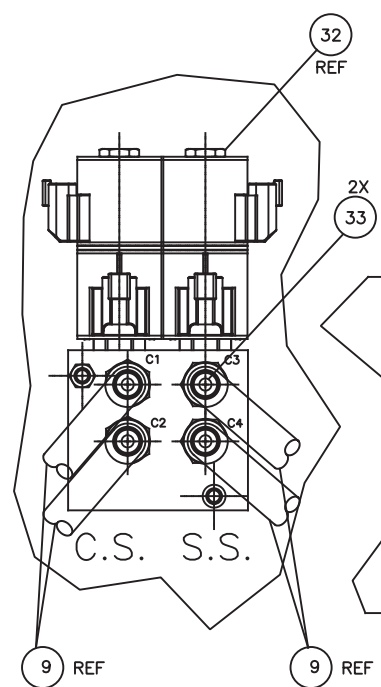
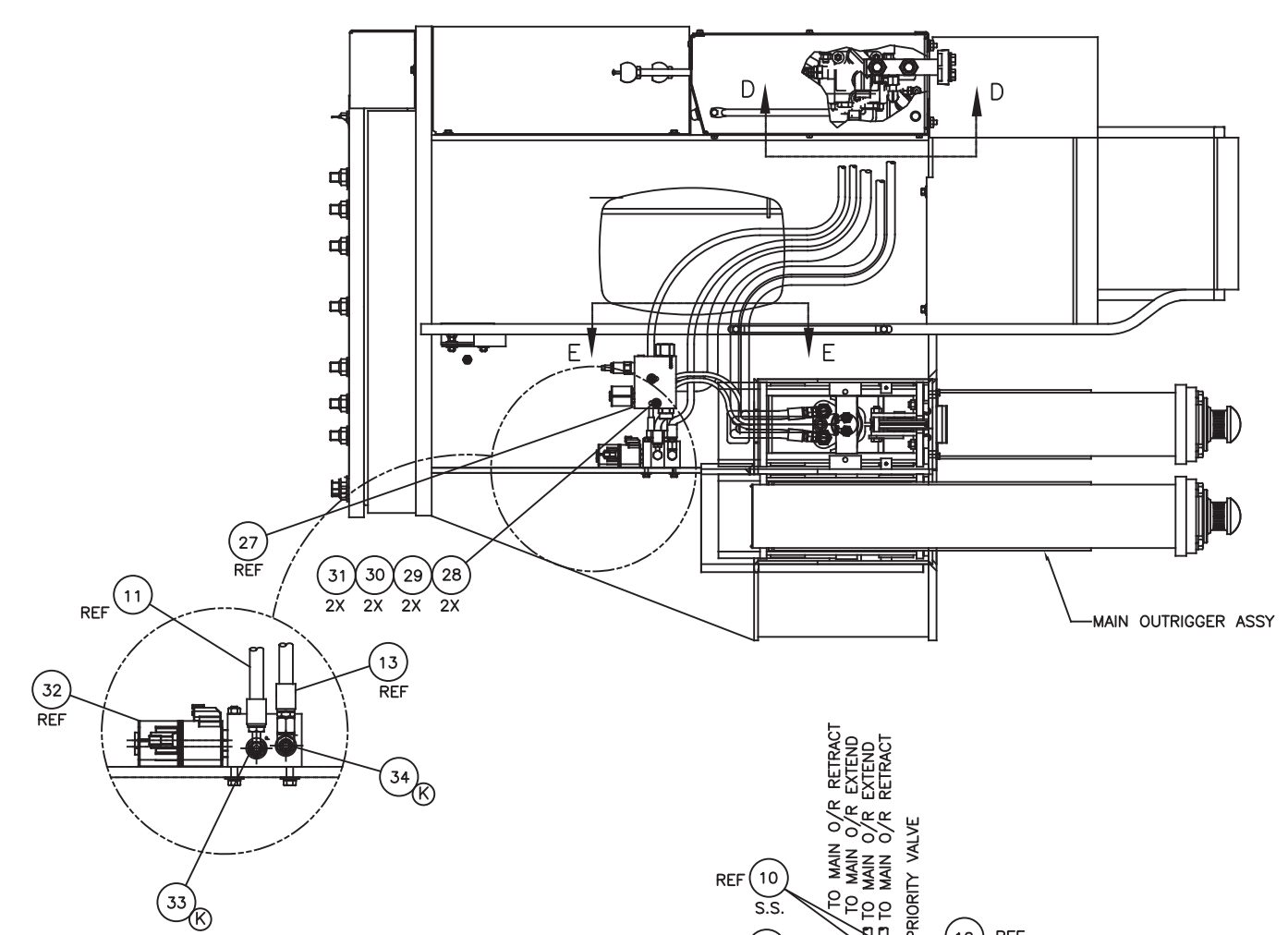
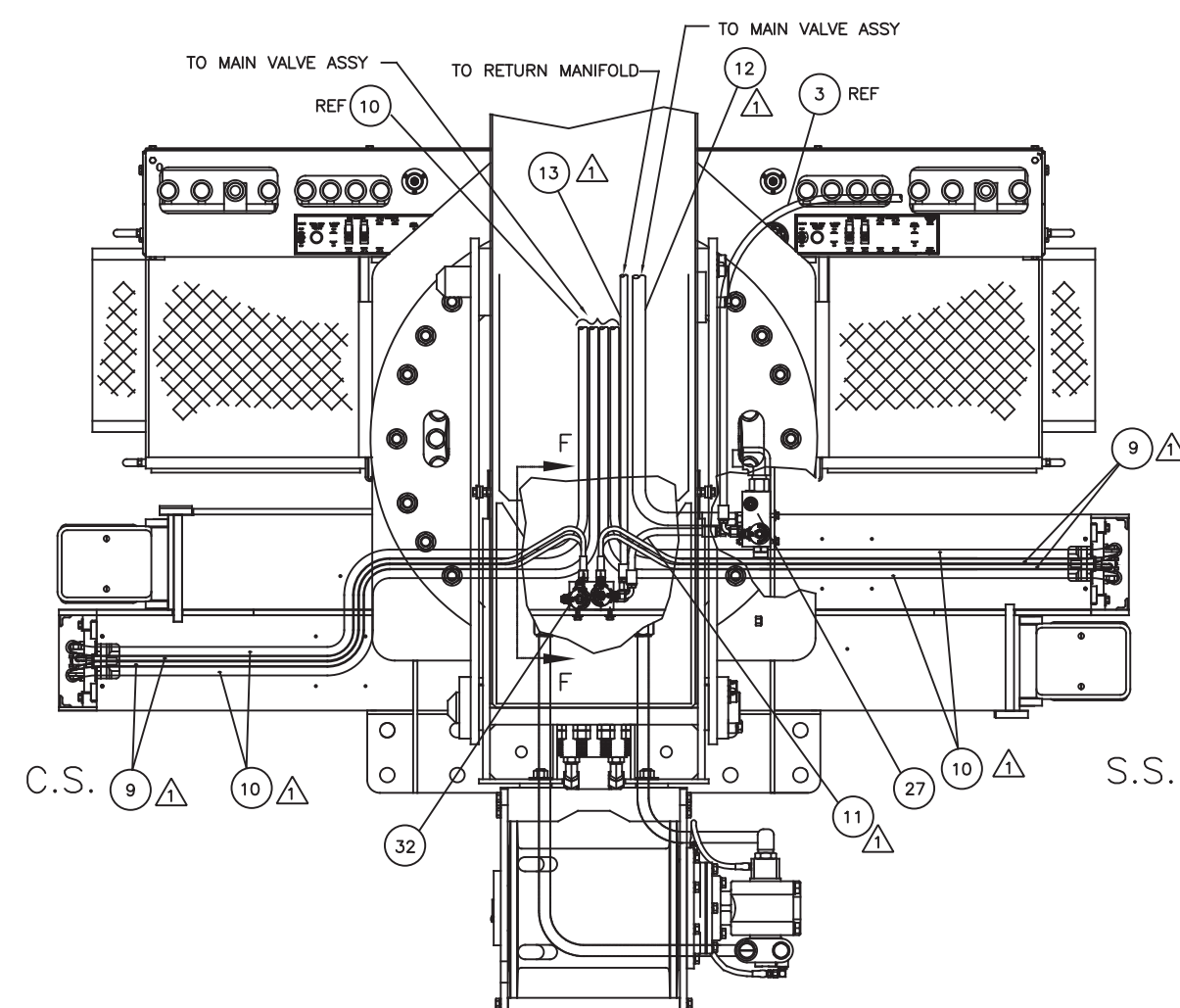
C

B

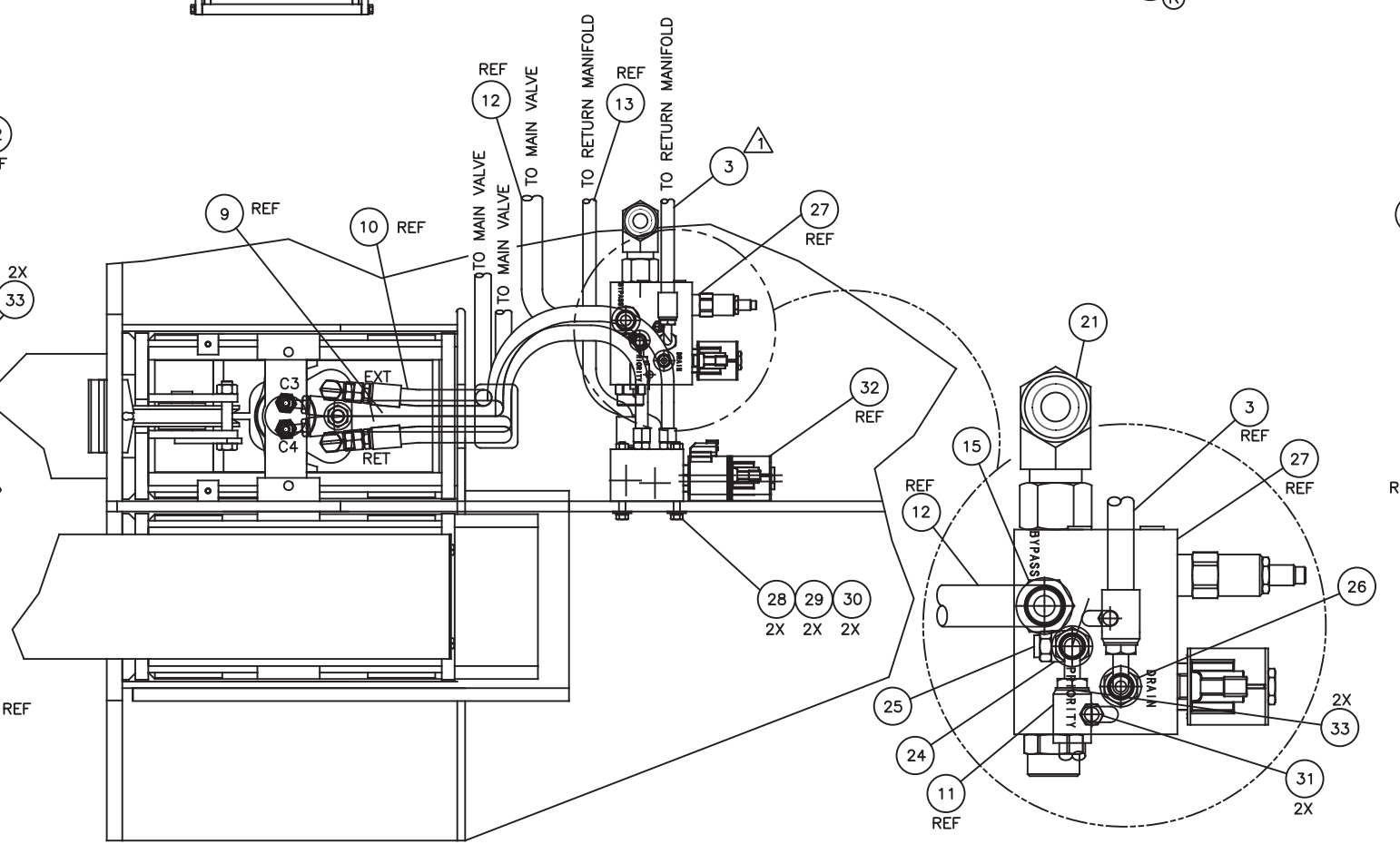
B

A

A

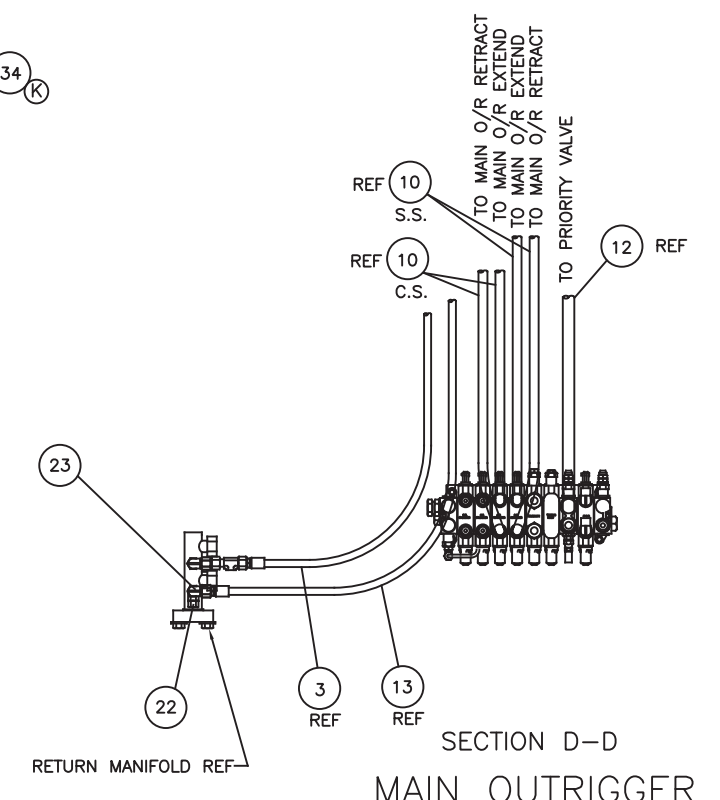


SECTION E-E
SCALE: 2:1



SECTION F-F
SCALE: 1:1

MAIN OUTRIGGER CONNECTIONS



SECTION D-D
MAIN OUTRIGGER

LOAD/KING		
SIZE	DWG. NO.	REV
C	500-01795	K
SCALE: 1:2		SHEET 2 OF 3

4

3

2

1

4

3

2

1

D

D

C

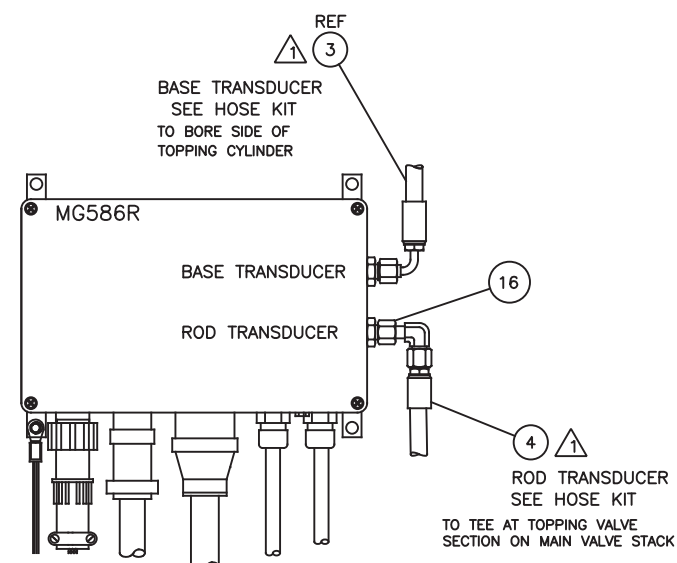
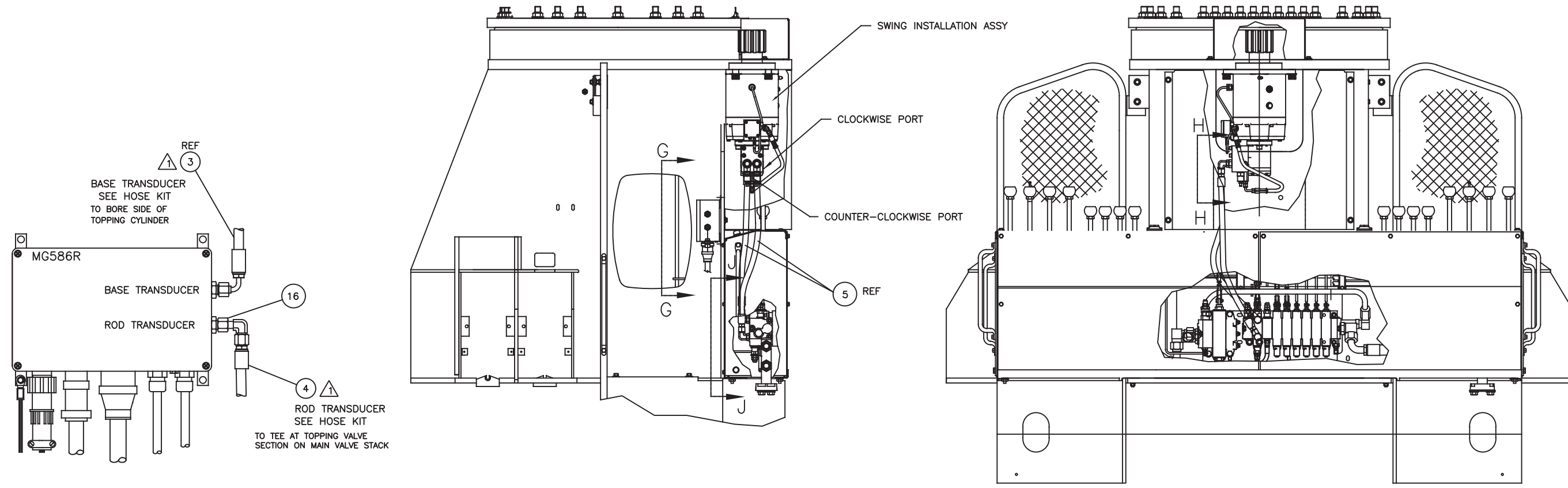
C

B

B

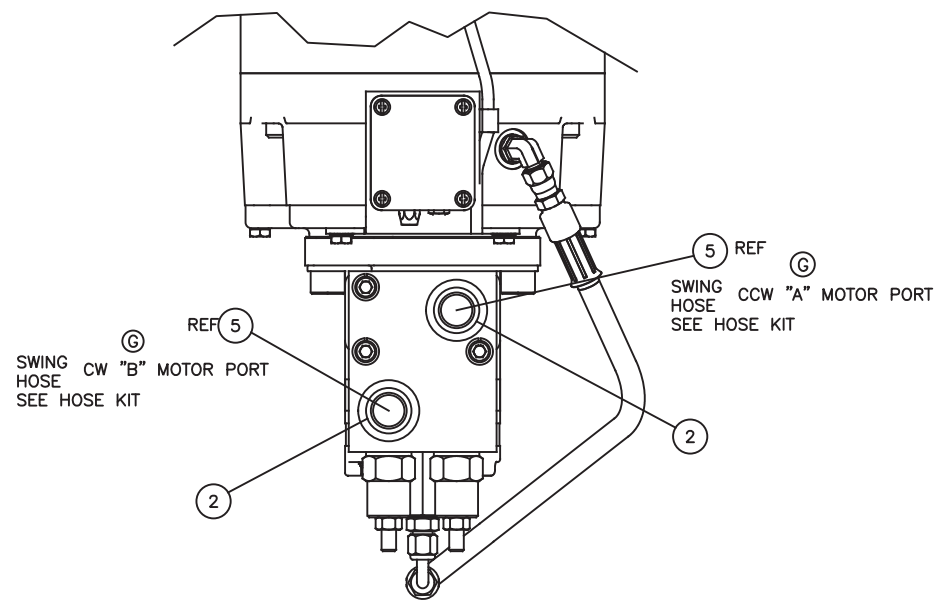
A

A

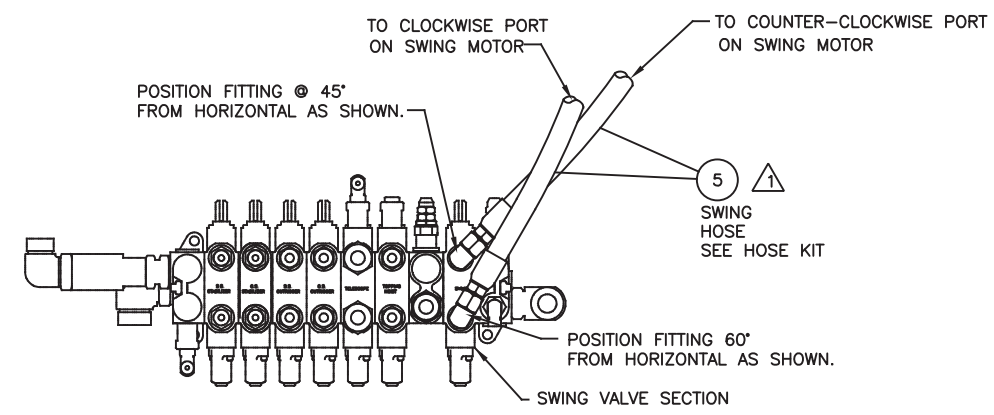


SECTION G-G
SCALE: 1:1

SWING CONNECTIONS



SECTION H-H
SCALE: 1:1



SECTION J-J
SCALE: 1:1

LOAD/KING		
SIZE	DWG. NO.	REV
C	500-01795	K
SCALE: 1:2		SHEET 3 OF 3

4

3

2

1

ITEM	PART NO.	DESCRIPTION	WT.	QTY.	SEE NOTE
1	503-92030-3	HOSE KIT, M/F ASSY 7000	△	1	A
2	519-20004	CAP, #4 OFS		1	C
3	516-82003	TEE, SW RUN F#4 OFS X 2X M#4 OFS		1	A
4	502-11159	HOSE ASSY 1/4" I.D. (GREER BOX-BASE) (UPPER)	△	1	
5	502-10974	HOSE, GREER BOX-BASE(LOWER) & CENTER POST DRAIN	△	2	
6	502-10916	HOSE ASSY 1/4" I.D. (GREER BOX-VALVE)	△	1	
7	502-30557	HOSE ASSY 1/2" I.D. (SWING MOTOR CW/CCW)	△	2	
8	502-35026	HOSE ASSY 5/8" I.D. (TOPPING CYLINDER UP/DOWN)(UPPER)	△	2	
9	502-30628	HOSE ASSY 5/8" I.D. (TOPPING CYLINDER UP/DOWN) (LOWER)	△	2	
10	502-40789	HOSE ASSY 3/4" I.D. (WINCH MOTOR RAISE/LOWER) (UPPER)	△	2	
11	502-40787	HOSE ASSY 3/4" I.D. (WINCH MOTOR RAISE/LOWER)(LOWER)	△	2	
12	502-35074	HOSE ASSY 5/8" I.D. (BOOM CYL. EXTEND/RETRACT) (UPPER)	△	2	A
13	502-35073	HOSE ASSY 5/8" I.D. (BOOM CYL. EXTEND/RETRACT) (LOWER)	△	2	A
14	502-11262	HOSE ASSY 1/4" I.D. (CTR'POST DRAIN)	△	1	
15	502-30700	HOSE ASSY 3/8" I.D. (MAIN OUTRIGGER BEAM)	△	4	
16	502-30699	HOSE ASSY 1/2" I.D. (MAIN OUTRIGGER JACK)	△	4	
17	502-20864	HOSE ASSY 3/8" I.D. (PRIORITY VALVE/MAIN VALVE)	△	1	
18	502-40828	HOSE ASSY 3/4" I.D. (PRIORITY VALVE/MAIN VALVE)	△	1	
19	502-30635	HOSE ASSY 1/2" I.D. (OUTRIGGER VALVE)	△	1	
20	502-11225	HOSE ASSY 1/4" I.D. (PRIORITY VALVE DRAIN)	△	1	
21	514-62002	ELBOW, 90° S.N. #4 OFS		2	
22	400-15088	NYLON CABLE TIE		6	
23	513-50027	STR CONN. #10 ORB / #8 OFS		2	
24	517-30010	PLUG #4 NPT SOCKET HD		1	
25	514-57011	ELBOW, PARKER SEAL-LOK		1	
26	514-52003	ELBOW, 90° -4 OFS X -4 ORB		1	
27	516-82005	TEE, BRANCH -4 ORB X -4 OFS		1	
28	559-00251	ASSY, VALVE PRIOR FLOW CONTROL		1	
29	S01-312CC50-25	SCR, HHCS 0.3125-18X3.50,ST SQC G5		4	G
30	WBR-31RX875-20	WSH, FL TYPB-REG 0.3125, ST SQC		4	G
31	W07-312X000-20	WSH, LCK, MED SPLT 0.3125,ST SQC		4	G
32	N04-312C000-2A	NUT, HEX 0.3125-18, ST SQC GA		4	G
33	559-00252	VALVE, CONTROL AUX. O/R		1	
34	513-40014	CONNECTOR, #6 OFS X #6 ORB		6	
35	513-50026	CONN. PARKER #8-6		1	
36	516-84003	TEE, RUN PARKER #6		1	
37	519-40007	CAP. PARKER #6		1	
38	513-20019	CONN. PARKER #4-6		1	
39	513-60008	CONN. PARKER #10		1	

NOTES:

- △ PART OF 503-92030-3 HOSE KIT (ITEM 1), SERIES 35-TON MAINFRAME ASSY
- △ ROTATE FITTINGS FOR ORIENTATION SHOWN AND TIE HOSES TOGETHER USING NYLON CABLE TIES, 400-15088.

REV. LET.	L.E.N. DATE	CHANGE	ECO
-	12/28/05	PRODUCTION RELEASE	P521
C	03/03/15	DROP: 502-21012 QTY(1), 502-21011 QTY(1) ONLY IN DWG BOM. ADD: 519-20004 QTY(1).	296A104694
D	02/19/16	DROP: 519-20004	296A105335
E	04/30/15	UPDATED: NOTE IN VIEW H-H, SHT 3.	296A104851
F	06/16/16	ADD: 519-20004	296A105551
G	12/12/17	CHANGED: S01-312CC50-25 WAS 220-01011, WBR-31RX875-20 WAS 222-01001, W07-312X000-20 WAS 222-11002, N04-312C000-2A WAS 221-01001.	296A106251

D

D

C

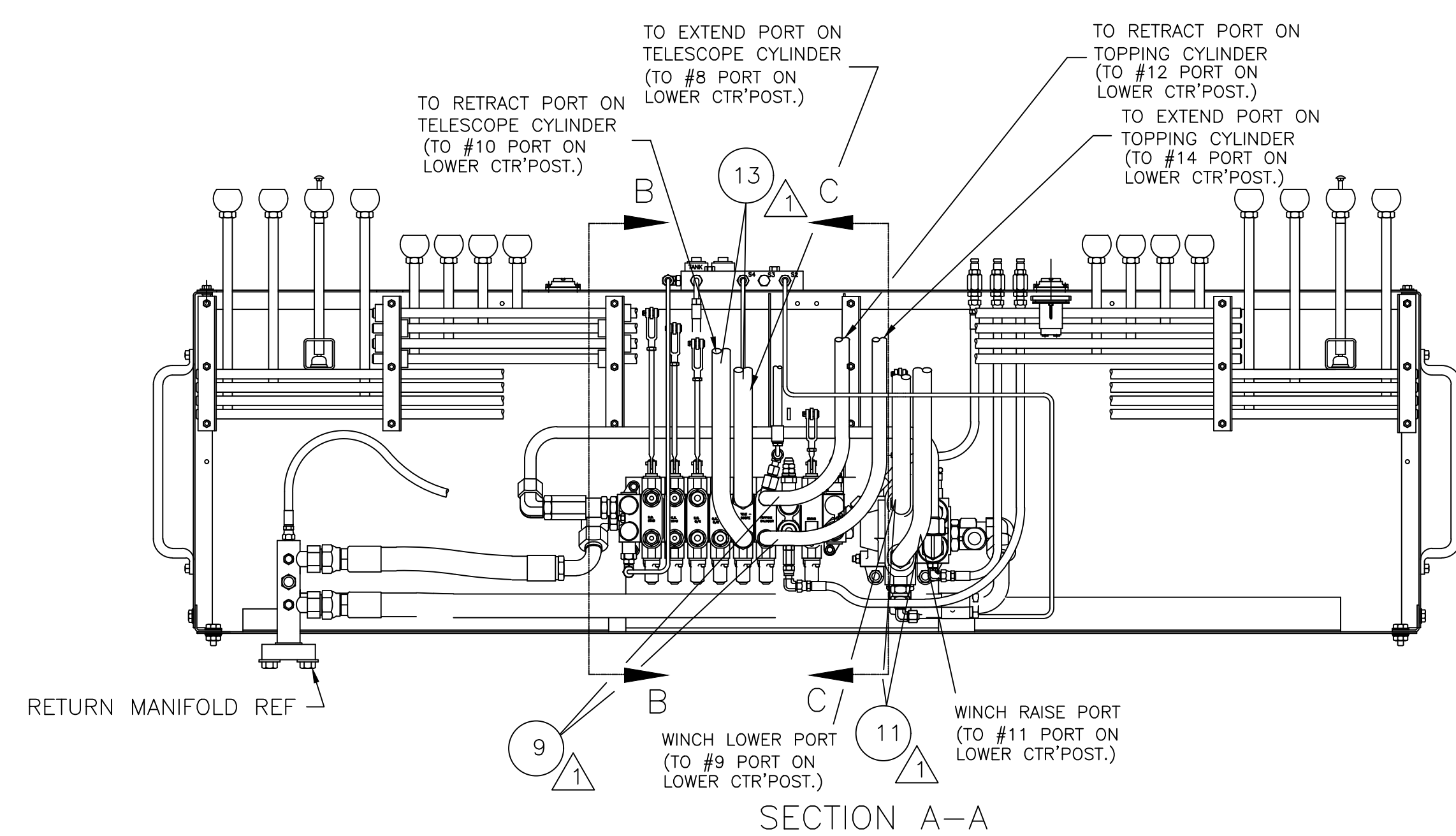
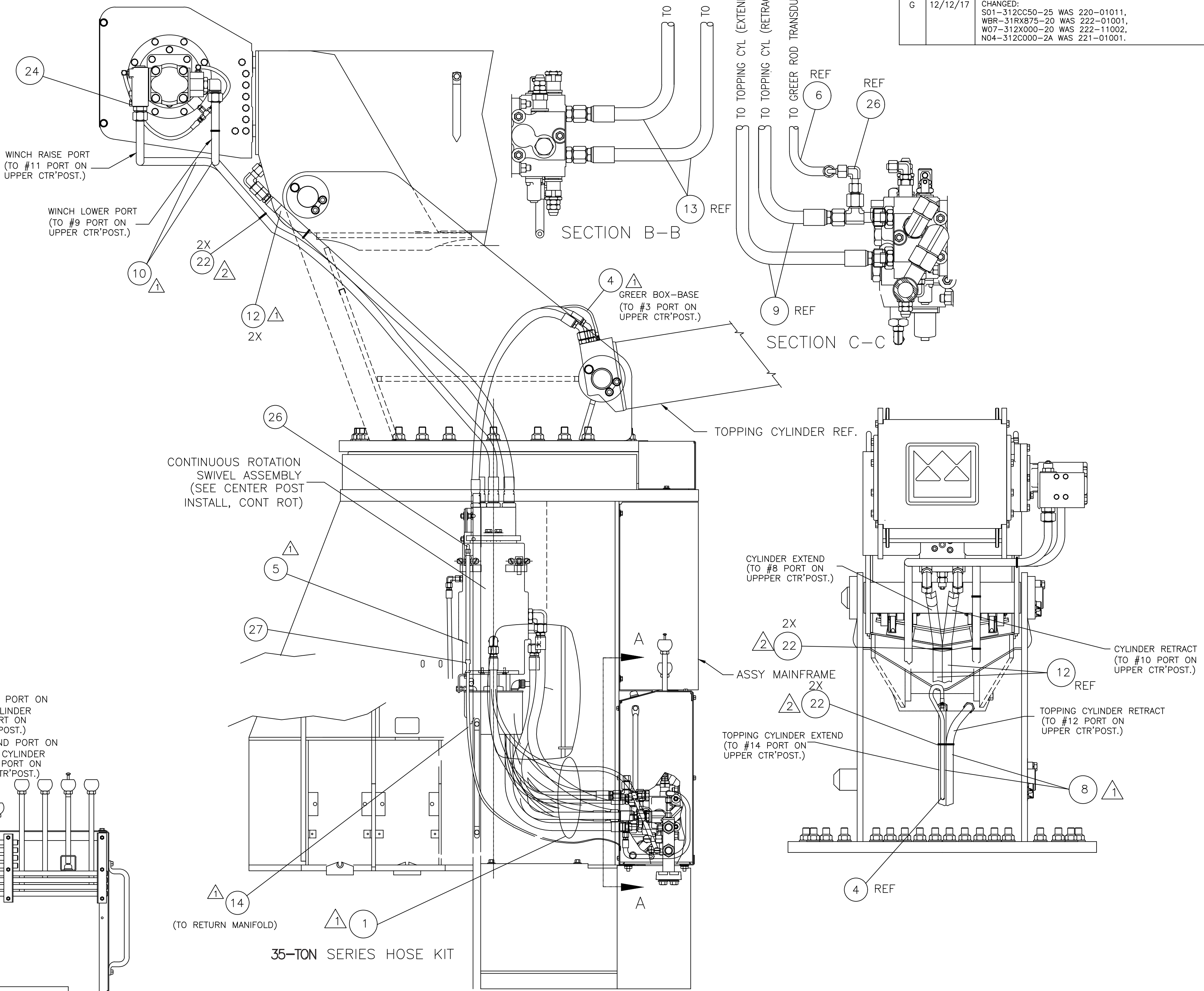
C

B

B

A

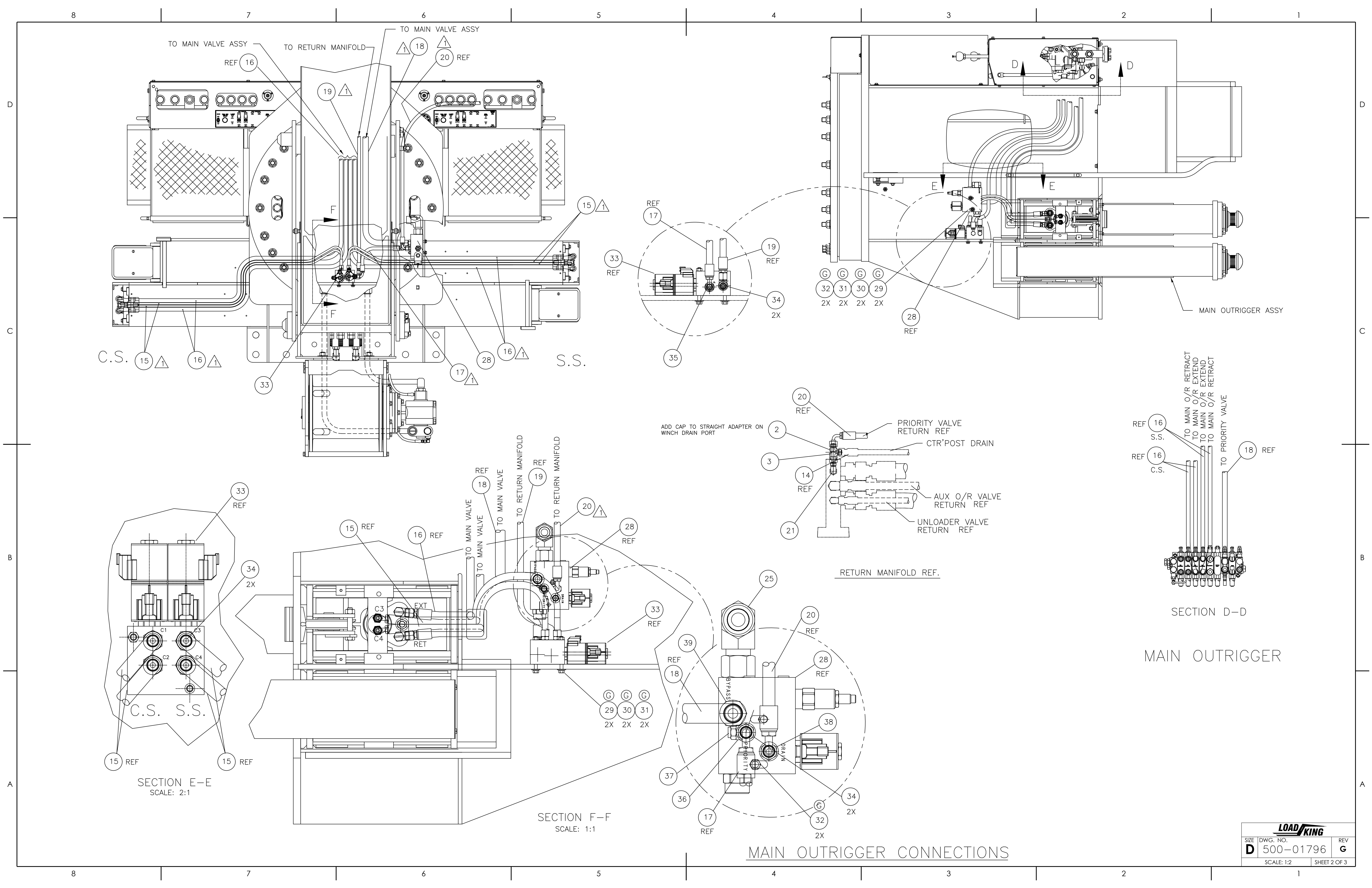
A

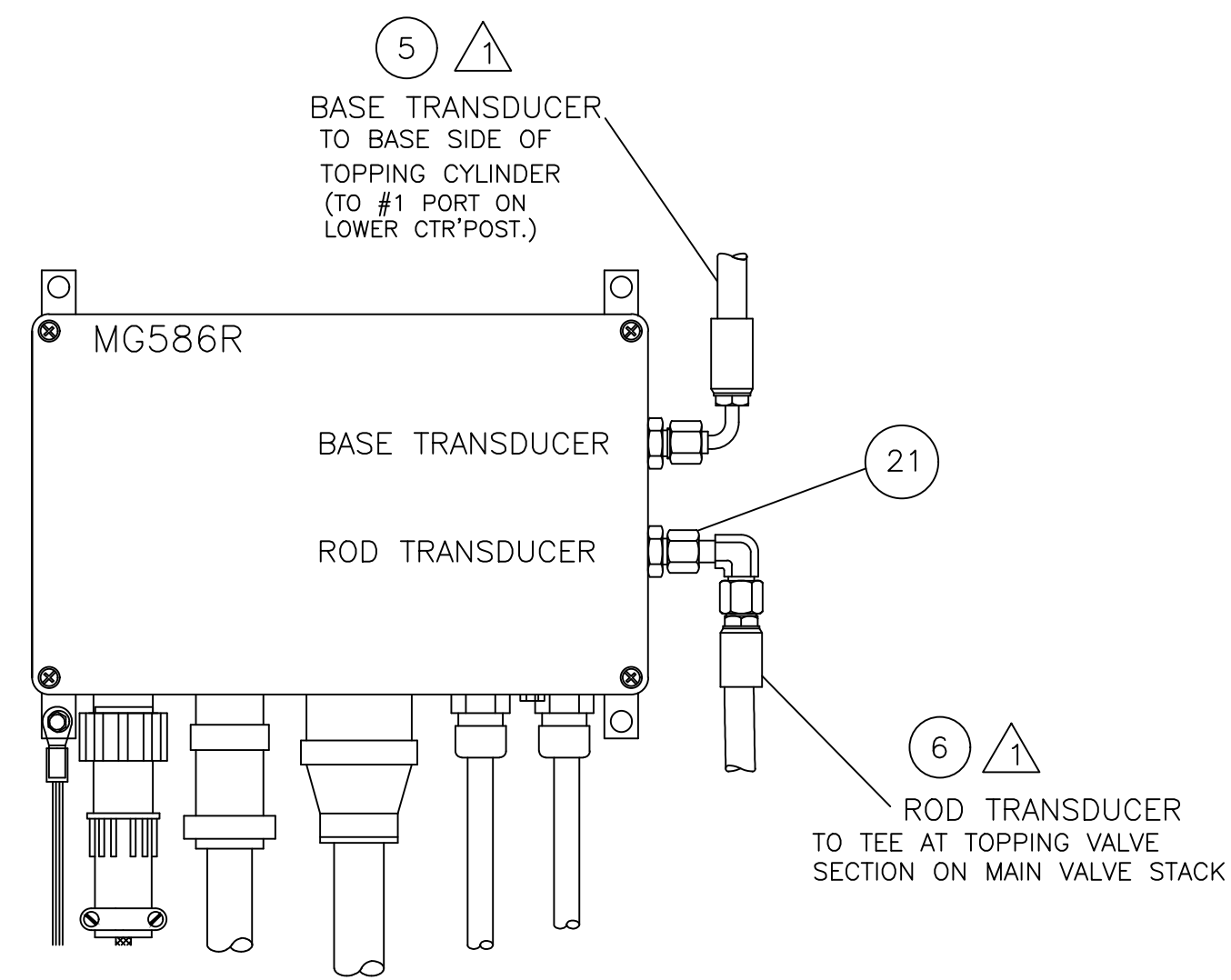


CYLINDER CONNECTIONS

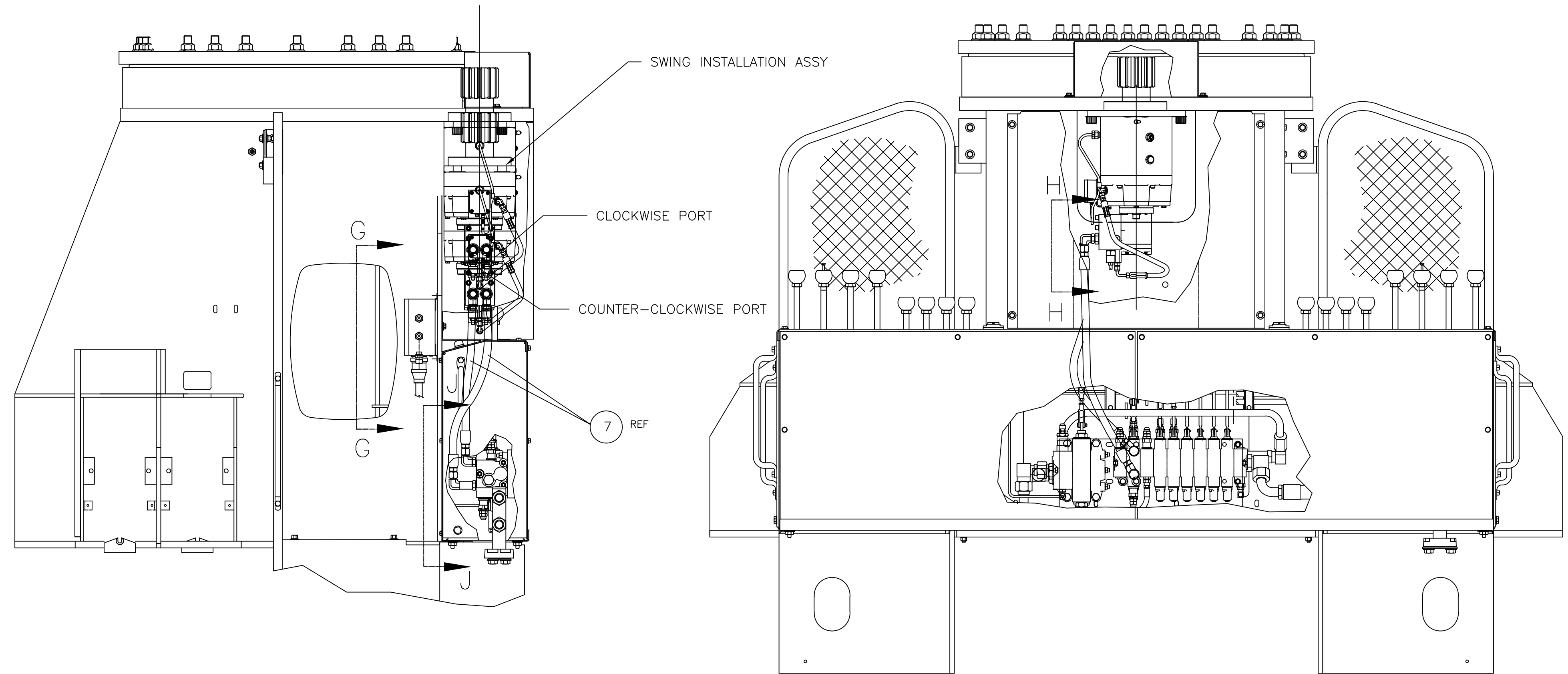
TOPPING CYL.
BOOM CYL.

UNLESS OTHERWISE SPECIFIED: ALL DIMENSIONS IN INCHES TOLERANCES-UNLESS NOTED: X = ±1.5 XX = ±0.6 XXX = ±0.25	NAME: R.FORD DATE: 4/08/04 CHECKED: DS DATE: 4/08/04	TITLE: HYD PIPING, MAINFRAME CONTINUOUS ROTATION	REV: G
DO NOT SCALE DRAWING	PROPERTY AND CONFIDENTIAL	SCALE: 1:2	WEIGHT:
MATERIAL LISTED	THE INFORMATION CONTAINED IN THIS DRAWING IS THE SOLE PROPERTY OF LOAD KING TRAILERS. ANY REPRODUCTION OR PAPER OR AS WHOLE WITHOUT THE WRITTEN PERMISSION OF LOAD KING TRAILERS IS PROHIBITED.	DWG. NO. 500-01796	SHEET 1 OF 3
THIRD ANGLE PROJECTION			

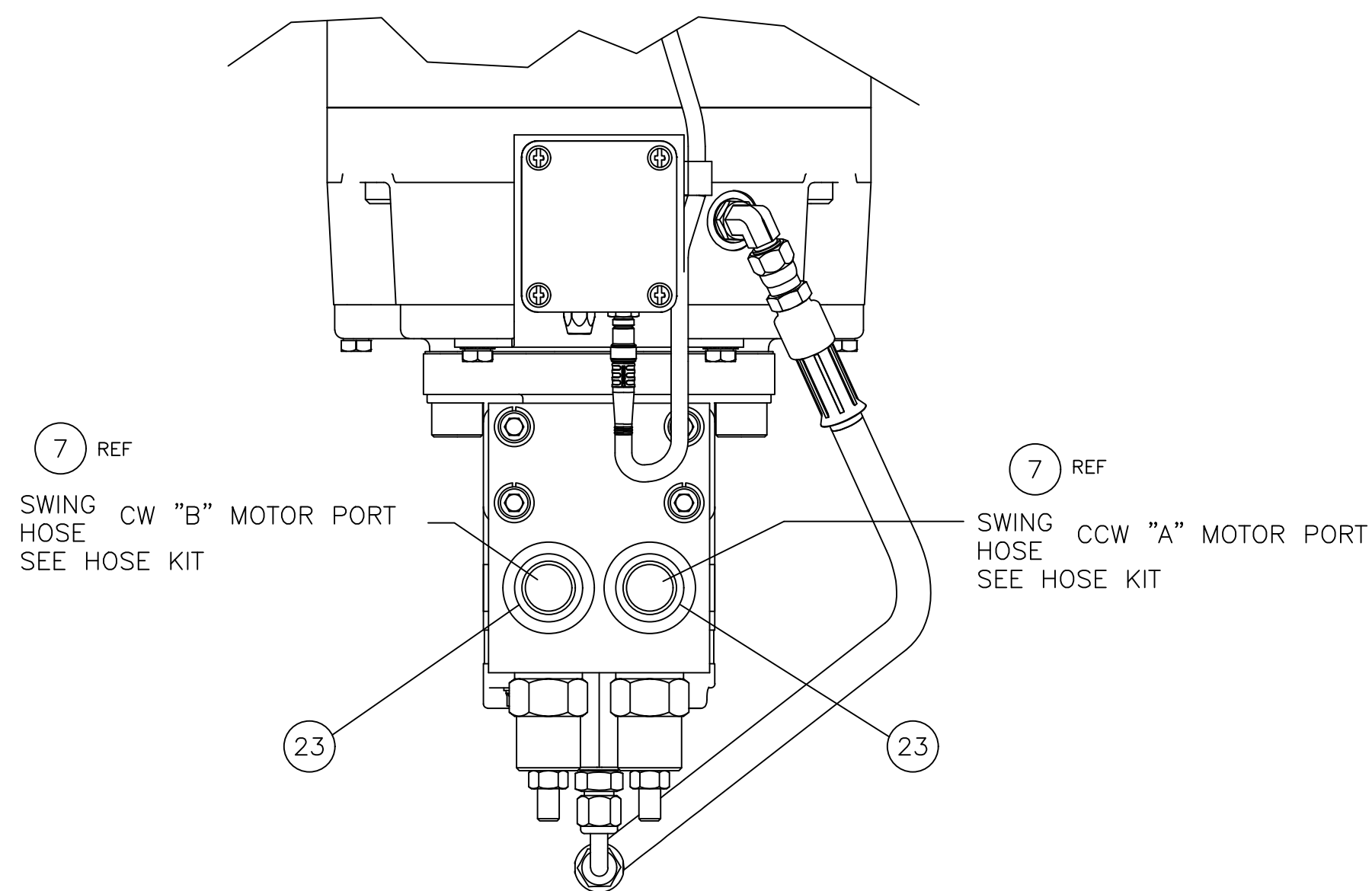




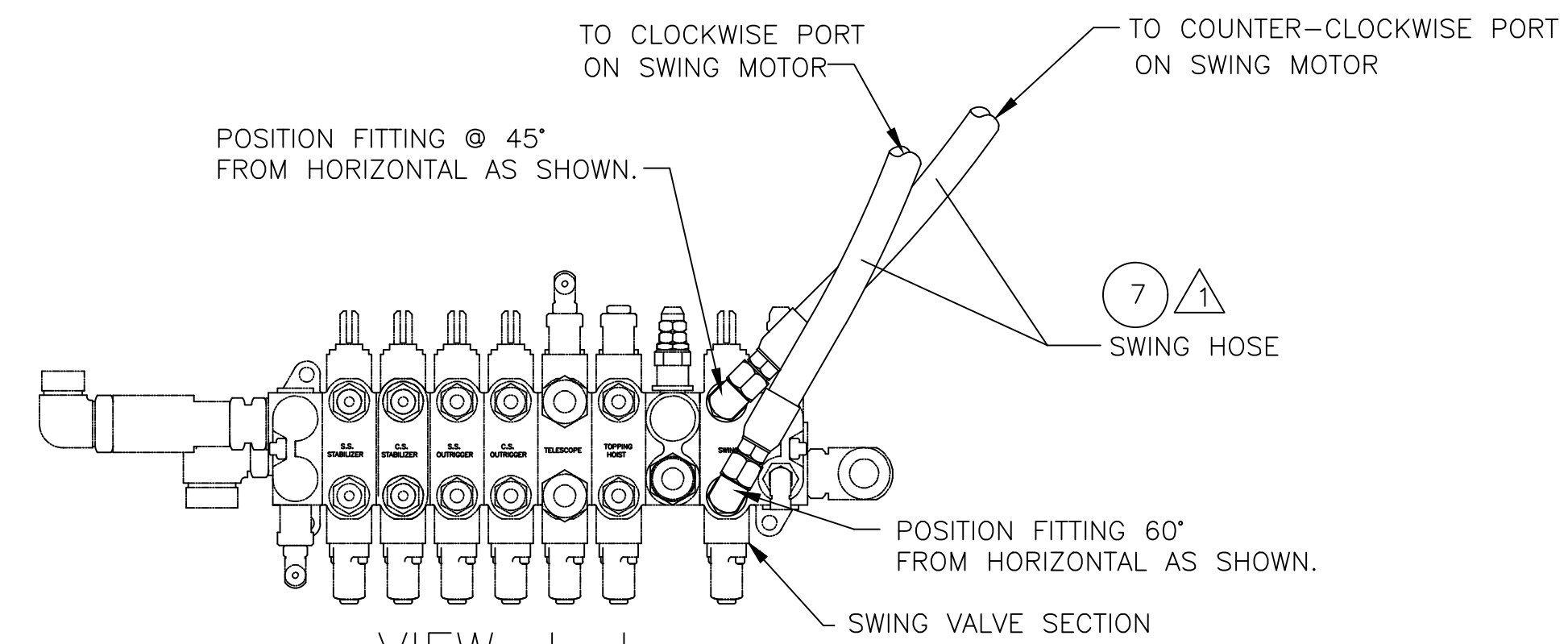
VIEW G-G
SCALE 1:1
GREER BOX



SWING CONNECTIONS

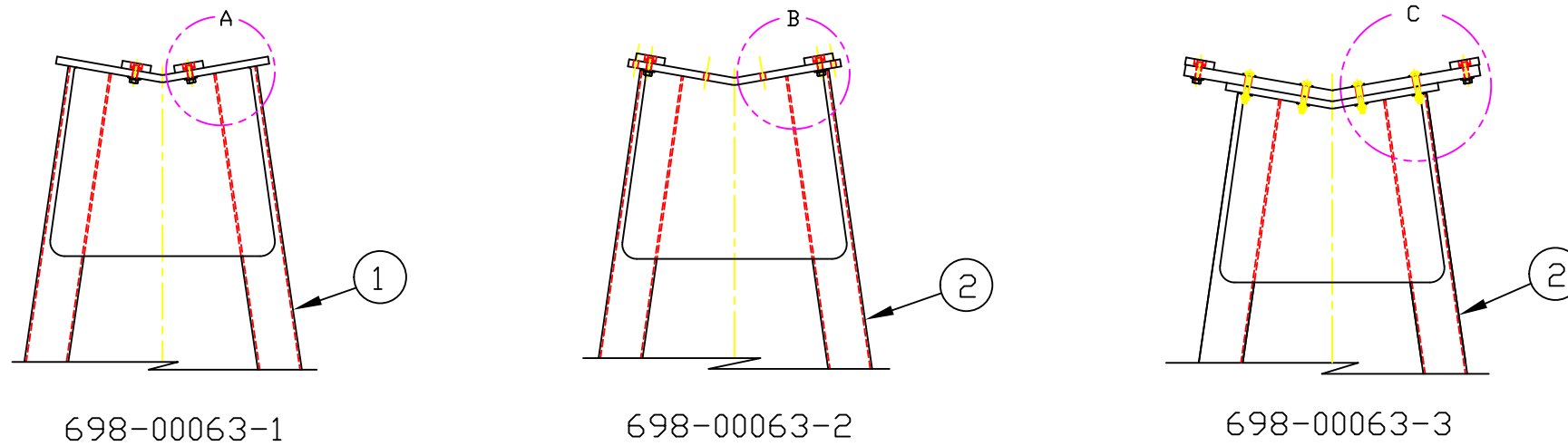
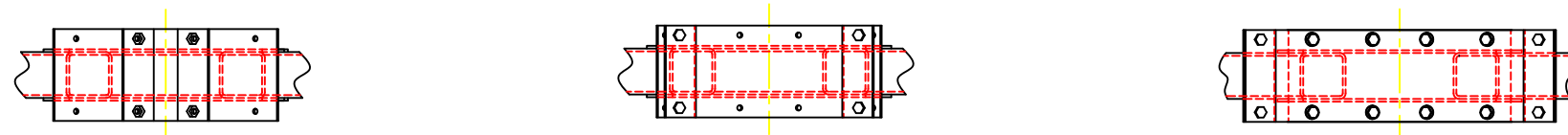
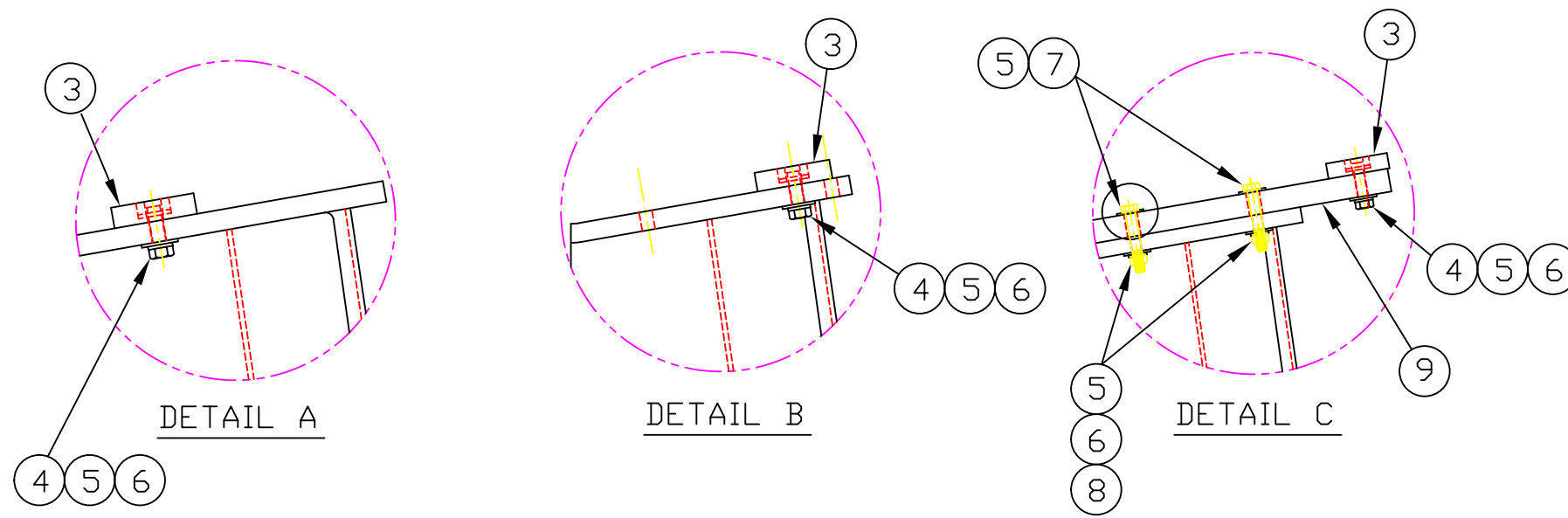


VIEW H-H
SCALE 1:1



VIEW J-J
SCALE 1:1

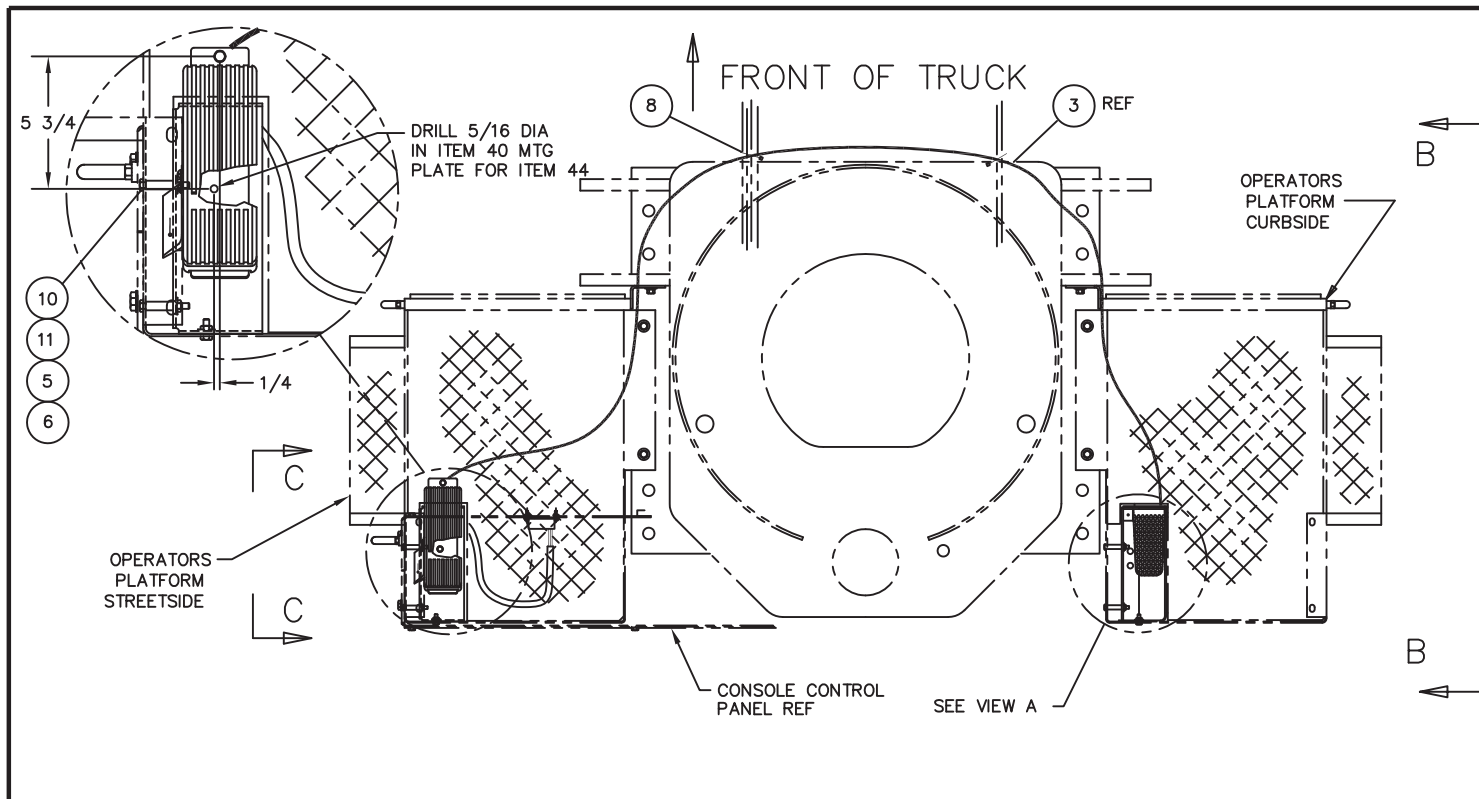
Item	Part No.	Description	Qty.	Qty.	Qty.	Wt.
1	709-01204	BOOM REST WELD-OFFSET	-	-	1	
2	709-01212	BOOM REST WELD	1	1	-	
3	729-02175	WEAR PAD 2X6 PLYSRT (00765)	2	2	2	
(B)(A) 4	S01-312CA25-25	SCR,HHCS,0.3125-18 X 1.25, ST Z G5	4	4	4	
(A) 5	WAN-31NX000-20	WSH ,FL ,TYP A-NRW 0.3125, ST Z	20	4	4	
(A) 6	W07-312X000-20	WSH, LCK, MED SPLT 0.3125, ST Z	12	4	4	
(A) 7	S01-312CB00-25	SCR,HHCS, 0.3125-18 X 2.00,ST Z G5	8	-	-	
(A) 8	N04-312C000-25	NUT,HEX, 0.3125-18, ST Z GR5	8	-	-	
9	709-01318	SUPPORT PLATE, BOOM REST	1	-	-	



25-TON,35-100 SERIES	698-00063-3
19-TON SERIES	698-00063-2
10-47	698-00063-1

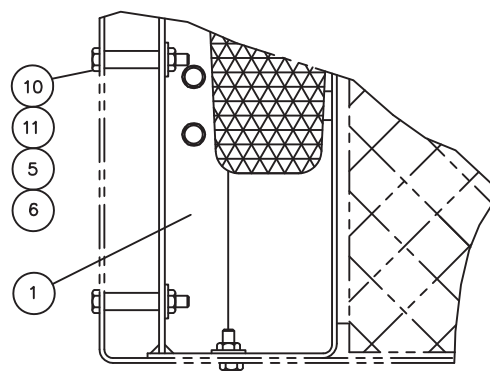
UNLESS OTHERWISE SPECIFIED:		NAME	DATE	LOAD KING
ALL DIMENSIONS IN INCHES		DRAWN	LD	
TOLERANCES-UNLESS NOTED:		CHECKED	DS	2/09/05
.X = ±.12		PROPRIETARY AND CONFIDENTIAL		
.XX = ±.06		THE INFORMATION CONTAINED IN THIS DRAWING IS THE SOLE PROPERTY OF LOAD KING TRAILERS. ANY REPRODUCTION IN PART OR AS WHOLE WITHOUT THE WRITTEN PERMISSION OF LOAD KING TRAILERS IS PROHIBITED.		
.XXX = ±.020		TITLE: BOOM REST ASSY.		
DO NOT SCALE DRAWING		SIZE	DWG. NO.	REV
MATERIAL		B	698-00063	B
FINISH		SCALE: 1:1	WEIGHT:	SHEET 1 OF 1
THIRD ANGLE PROJECTION				

B	1-22-13	ITEM 4, S01-312CA25-25 WAS S01-312CA00-25	296A102906
A	8-10-12	ITEM 7, S01-312CB00-25 WAS 220-01010 UPDATED TO NEW HARDWARE STD	296A102493
-	2-09-05	PRODUCTION RELEASE	N964
REV. LET.	L.E.N. DATE	CHANGE	E.C.N.
			ALL CHANGES MUST BE MADE ON CAD.

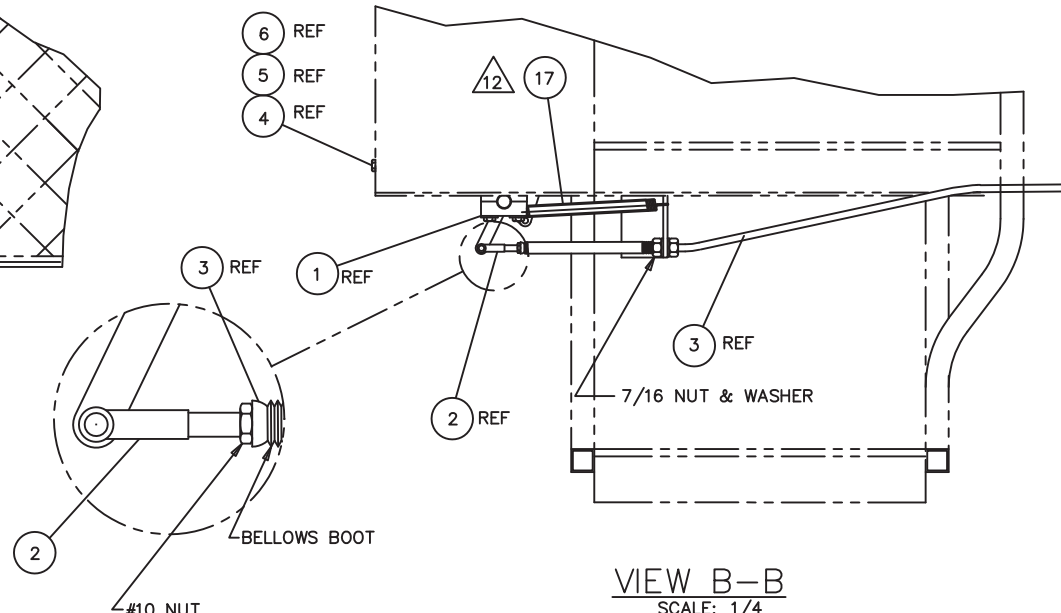


TOP VIEW OF TRUCK

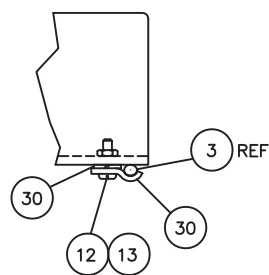
SCALE: 1/8



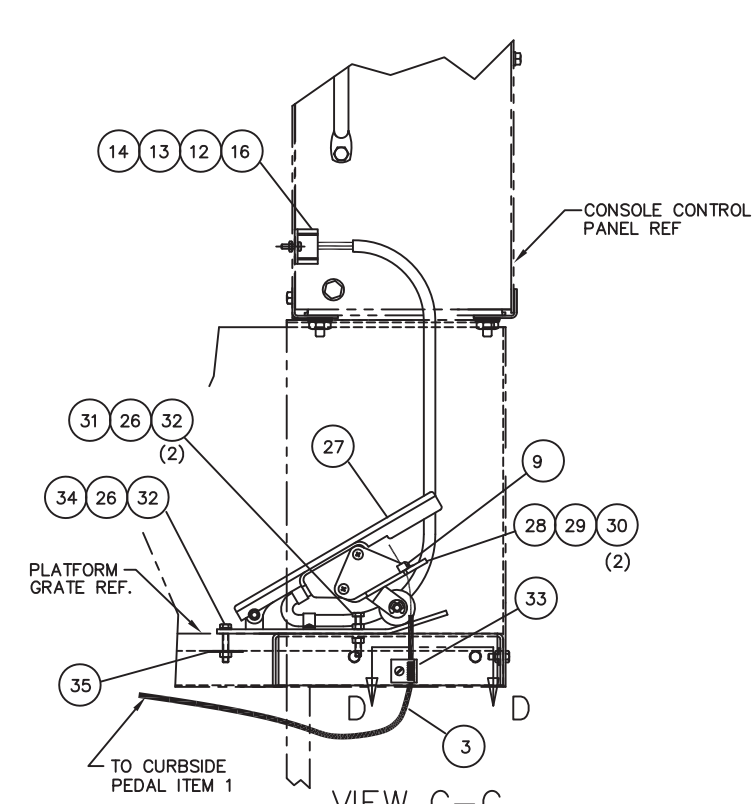
VIEW A
SCALE: 1/2



VIEW B-B
SCALE: 1/4



VIEW D-D
SCALE: 1/4



VIEW C-C
SCALE: 1/4

NOTES:

1. INSTALL THROTTLE PEDAL SUB-ASSEMBLIES INTO PLATFORMS AND SECURELY TIGHTEN FASTENERS.
2. REMOVE #10 NUT, BELLOWS BOOT, AND 7/16 NUT, AND WASHER FROM END OF THROTTLE CABLE (3).
3. INSERT THREADED END OF THROTTLE CABLE (3) THROUGH HOLE IN ANGLE (1), APPROXIMATELY TO MIDPOINT OF BULKHEAD. REINSTALL #10 NUT, BELLOWS BOOT, 7/16 NUT AND WASHER ONTO END OF THROTTLE CABLE (3).
4. THREAD CLEVIS ASSEMBLY (2) ONTO THREADED END OF THROTTLE CABLE (3).
5. INSTALL CLEVIS ASSEMBLY (2) TO LINK ON THROTTLE SUB-ASSEMBLY (1).
6. MAKE ADJUSTMENTS BETWEEN CLEVIS ASSEMBLY (2), THROTTLE CABLE (3), AND SUPPORT ANGLE (1) TO OBTAIN PROPER MOUNTING.
7. SECURELY TIGHTEN 7/16 NUTS AT BULKHEAD. SECURELY TIGHTEN #10 NUT.
- 8.
9. THROTTLE CABLE (3) TO BE ROUTED USING MAXIMUM POSSIBLE BEND RADIUS AND NOT TO BE HANGING LOOSE NEAR MOVING OR HOT PARTS. ROUTE THRU M/F TIE DOWNS & TIE WRAP TO HOSES AND/OR WIRES BETWEEN TRUCK FRAMES & CONNECT AS SHOWN. SEE NOTE #13 FOR ADJUSTMENTS.

ITEM	QTY.	PART NO.	DESCRIPTION	WT.
1	1	600-40347	THROTTLE SUBASSY	
2	2	809-00390	CLEVIS ASSY	
3	1	600-40329	CABLE, THROTTLE	
4	4	220-00003	HHCS, 1/4-20 UNC X .75 LG	
5	6	222-00006	FLATWASHER 1/4 PLTD	
6	6	221-90001	HEX NUT 1/4-20 UNC TOPLOCK	
7	1	201-00143	CABLE CLAMP	
8	2	400-15181	TYWRAP, BLK CTW # 800-BK9	
9	1	209-00046	SHVEL STOP	
10	4	220-00007	HHCS, 1/4-20 UNC X 2.00 LG	
11	4	036-10040	SPACER TUBE 1/2 DIA NYLON	
12	3	223-04004	MACH SCR 10-32 UNF X .75 LG	
13	3	221-90003	NUT 10-32 UNF NYL LOCK	
14	2	222-00007	FLATWASHER 3/16 PLTD	
15	1	400-25164	ELECTRICAL DIAGRAM	11
16	1	400-16073	RELAY - SOLID STATE SWITCHING	
17	1	202-10062	THROTTLE PEDAL RETURN SPRING	
18	2	400-02243	RING TERM, #10 14-16GA	15
19	12	400-02202	BUTT SPLICE, INS 14-16GA	15
20	4 FT	400-01380	WIRE, FLM RET 16GA ORG	15
21	4 FT	400-01389	WIRE, FLM RET 16GA BLU	15
22	4 FT	400-01375	WIRE, FLM RET 16GA GRN	15
23	4 FT	400-01379	WIRE, FLM RET 16GA WHT	15
24	10 FT	400-01378	WIRE, FLM RET 16GA BLK	15
25	10 FT	400-01376	WIRE, FLM RET 16GA RED	15
26	2	222-10005	LOCKWASHER, 1/4	
27	1	300-00513	PEDAL, ELECT THROTTLE CONTROL	
28	1	789-05177	PLATE, BRACKET THROTTLE PEDAL	
29	2	223-01120	SCR, RD HD 10-32 UNF X 1.25 LG	
30	3	222-10006	LOCKWASHER #10	
31	1	220-00038	HHCS, 1/4-20 UNC X 2.50 LG	
32	3	221-00001	HEX NUT 1/4-20 UNC	
33	1	789-05176	PLATE, MTG THROTTLE PEDAL	
34	1	220-00035	HHCS, 1/4-20 UNC X 1.75 LG	
35	1	222-00019	FLATWASHER, 1/4	
36	1	400-02500	WIRE HARNESS, CAT	14

- 10 THIS ASSEMBLY TO BE USED ON SERIES BT1600-6000 WITH ELECTRONIC THROTTLE ENGINE CONTROLS-SEE BOX.
- 11 FOLLOW ELECTRICAL DIAGRAM FOR PROPER INSTALLATION. (ITEM #15) ROUTE WIRING CAREFULLY UNDER CAB TO THROTTLE PEDAL AREA. WIRING MUST NOT INTERFERE WITH THROTTLE PEDAL ACTUATION OR ANY MOVING PARTS AND MUST BE PROTECTED FROM HEAT OR SHARP EDGES.
- 12 INSTALL RETURN SPRING (17) AND MAKE SURE THAT CABLE DOES NOT BIND WHEN PEDAL IS RELEASED.
- 13 TEST FOR PROPER OPERATION. WITH PTO ENGAGED; CAB THROTTLE PEDAL SHOULD BE DISABLED AND ENGINE SPEED SHOULD BE CONTROLLED FROM CRANE PLATFORMS ONLY. CABLES MUST BE ADJUSTED SO THAT MAXIMUM ENGINE RPM DOES NOT EXCEED DESIRED PUMP SPEED (2300 RPM MAX).
- 14 USED FOR CAT APPLICATIONS.
- 15 USED FOR CUMMINS, DETROIT & INTERNATIONAL APPLICATIONS.

UNLESS OTHERWISE SPECIFIED:

ALL DIMENSIONS IN INCHES
TOLERANCES-UNLESS NOTED:
.X = ±.12
.XX = ±.06
.XXX = ±.020

DO NOT SCALE DRAWING
MATERIAL

NAME	DATE
DRAWN REF	
CHECKED DS	
PROPRIETARY AND CONFIDENTIAL	
THE INFORMATION CONTAINED IN THIS DRAWING IS THE SOLE PROPERTY OF LOAD KING TRAILERS. ANY REPRODUCTION IN PART OR AS WHOLE WITHOUT THE WRITTEN PERMISSION OF LOAD KING TRAILERS IS PROHIBITED.	
 THIRD ANGLE PROJECTION	

TITLE:
THROTTLE INSTALL ELECTRONIC

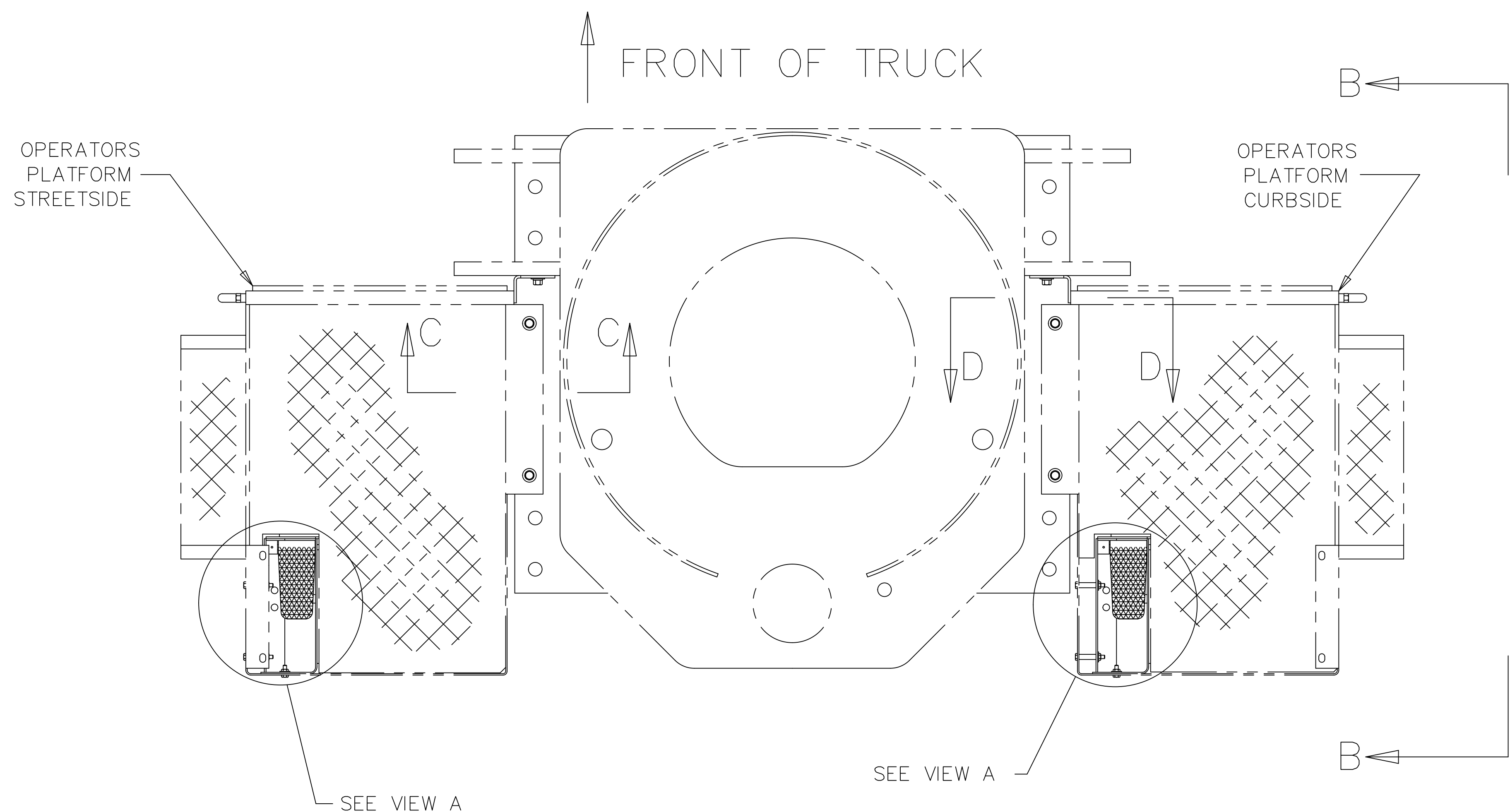
SIZE	DWG. NO.	REV
B	600-40415	-

SCALE: NONE WEIGHT: SHEET 1 OF 1

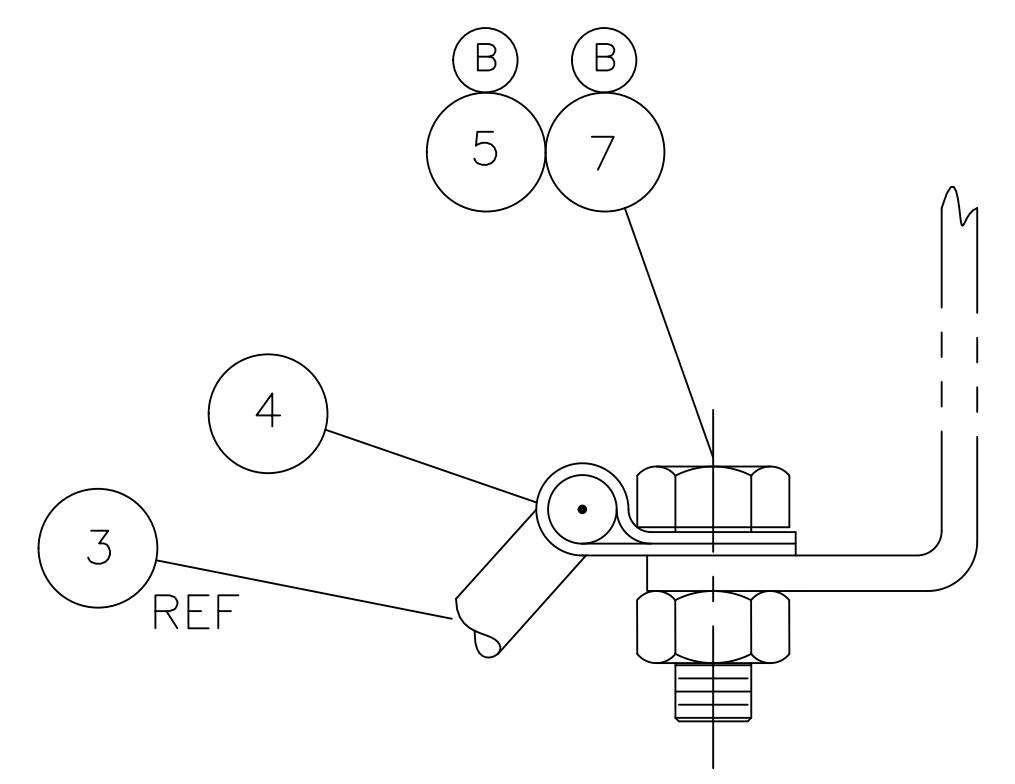
REV. LET.	5/18/04	PRODUCTION RELEASE	P330	FINISH
	L.E.N. DATE	CHANGE	E.C.N.	N/A

ALL CHANGES MUST BE MADE ON CAD.

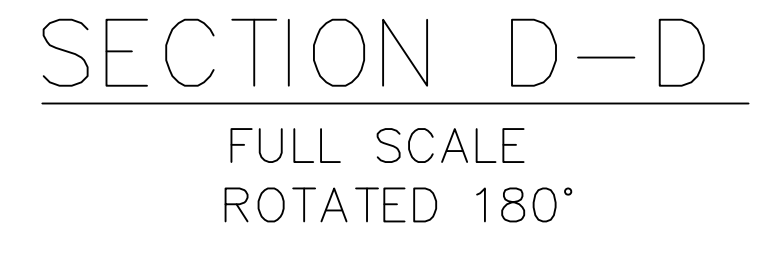
REV	DESCRIPTION	BY	CHK'D	DATE	REL. NO.
A	ITEM 13 WAS 1-031-00038	DGL	SAL	10/4	99-108
B	CHANGED: S01-250CB00-25 WAS 220-00007 S01-250CA25-25 WAS 220-00004 NTP-250C000-25 WAS 221-90001 WBR-25RX734-20 WAS 222-00006 SHF-250C750-25 WAS 220-00003	SG@T	--	11/01/17	296A106094



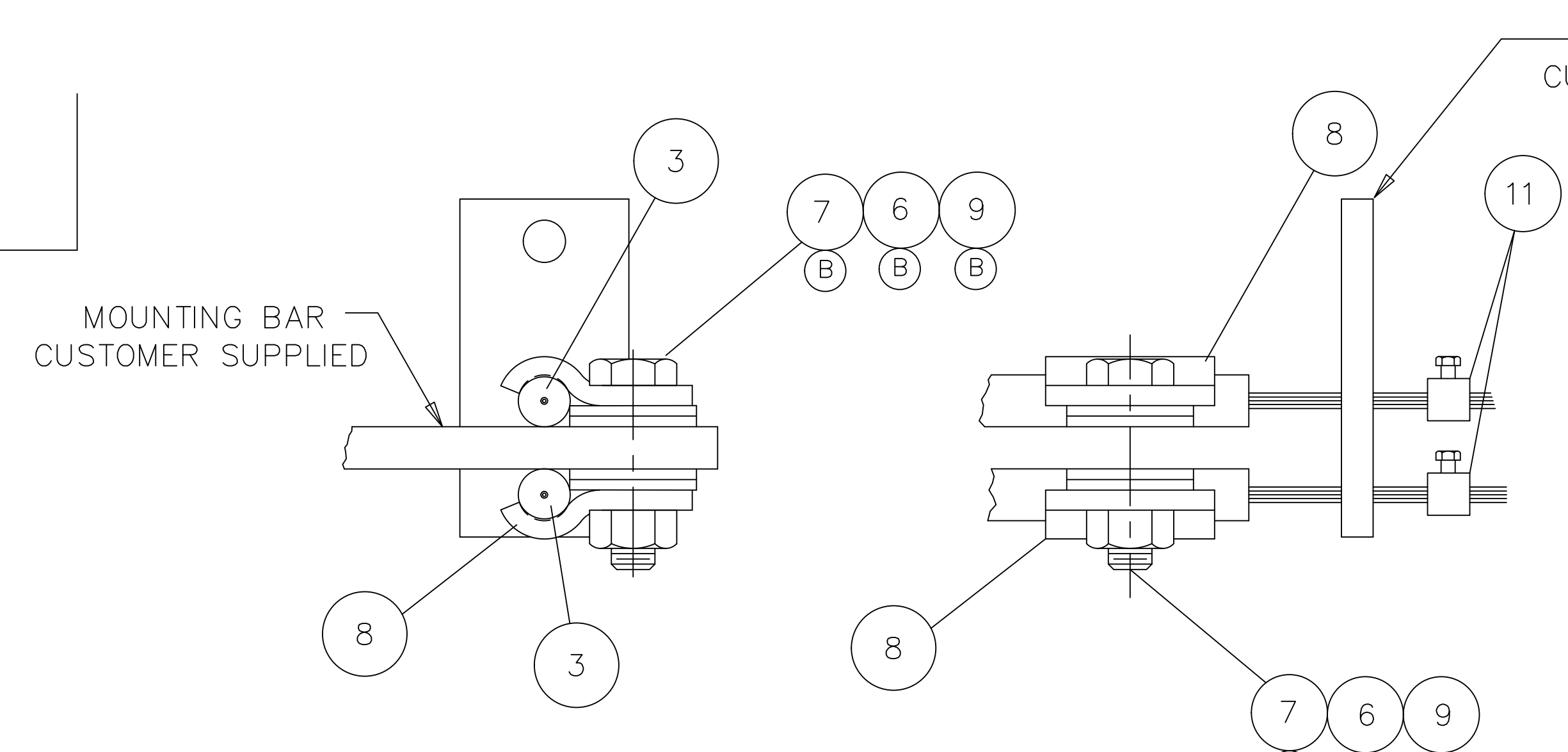
TOP VIEW OF TRUCK
SCALE: 1:8



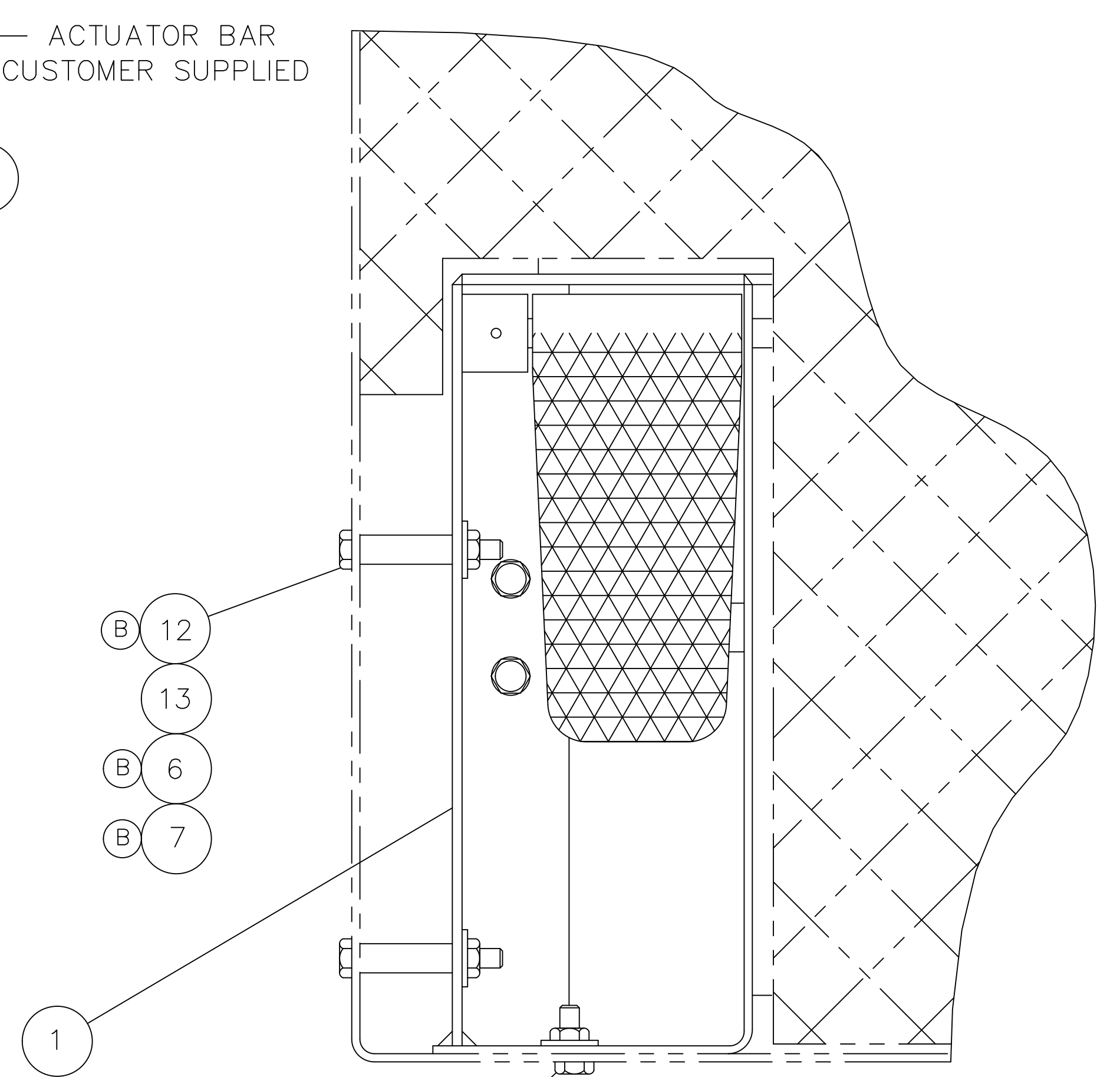
SECTION C-C
FULL SCALE



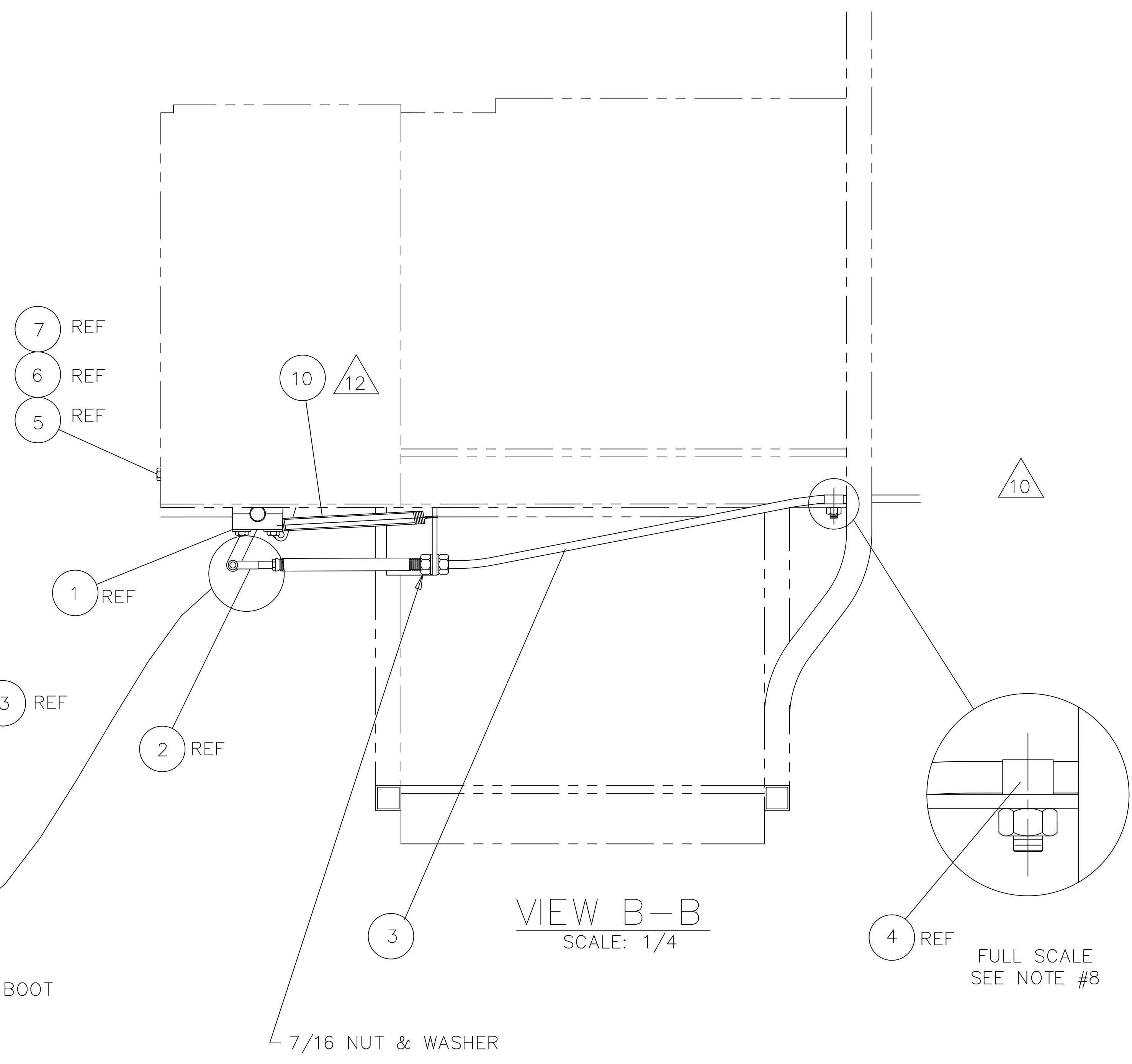
SECTION D-D
FULL SCALE
ROTATED 180°



ENGINE COMPARTMENT
(SCALE: FULL)



VIEW A
SCALE: 1/2



VIEW B-B
SCALE: 1/4

NOTES:

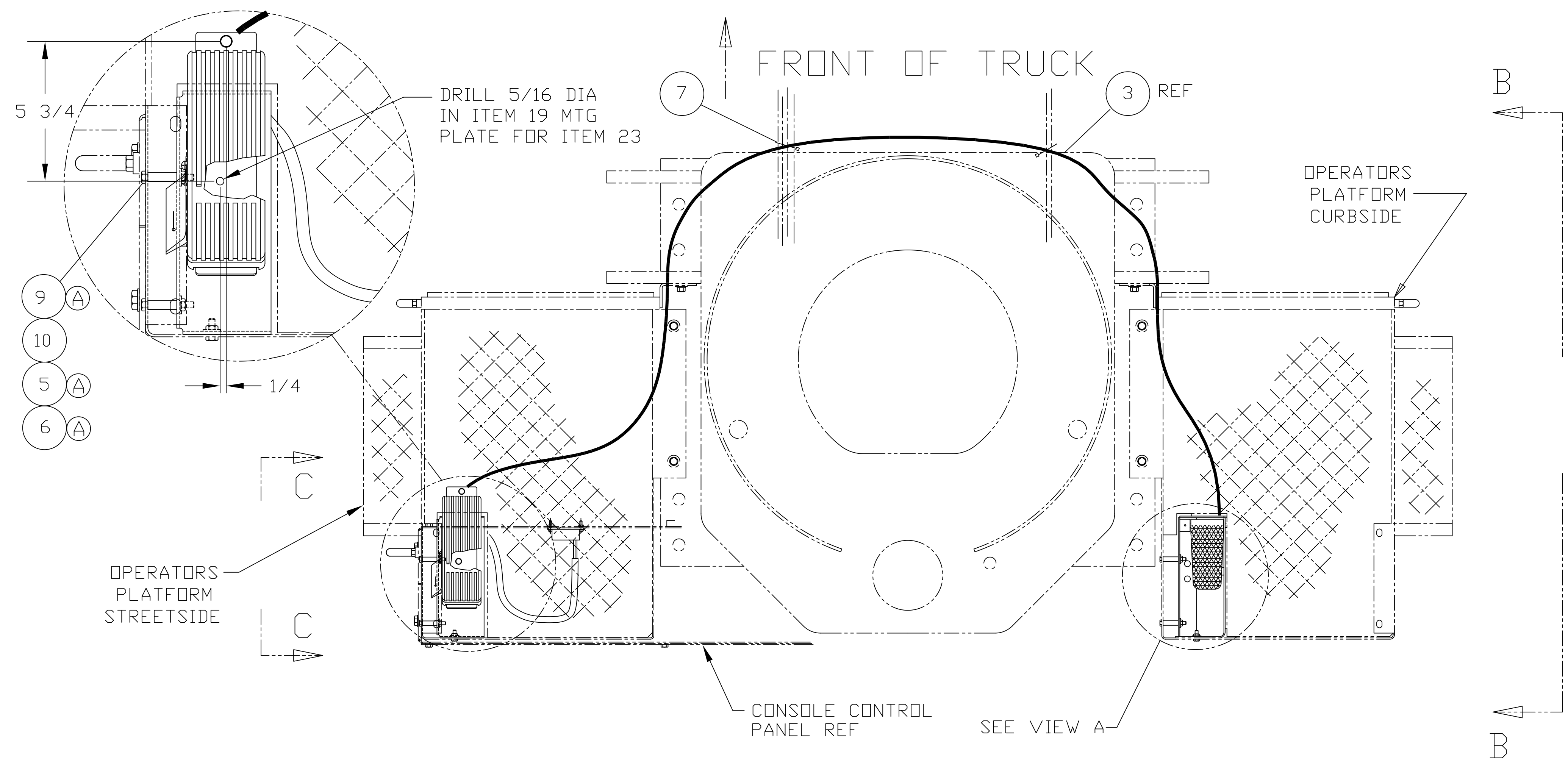
- INSTALL THROTTLE SUB-ASSEMBLIES INTO PLATFORMS AND SECURELY TIGHTEN FASTENERS.
- REMOVE #10 NUT, BELLOWS BOOT, AND 7/16 NUT, AND WASHER FROM END OF THROTTLE CABLE (3).
- INSERT THREADED END OF THROTTLE CABLE (3) THROUGH HOLE IN ANGLE (1), APPROXIMATELY TO MIDPOINT OF BULKHEAD. REINSTALL #10 NUT, BELLOWS BOOT, 7/16 NUT AND WASHER ONTO END OF THROTTLE CABLE (3).
- THREAD CLEVIS ASSEMBLY (2) ONTO THREADED END OF THROTTLE CABLE (3).
- INSTALL CLEVIS ASSEMBLY (2) TO LINK ON THROTTLE SUB-ASSEMBLY (1).
- MAKE ADJUSTMENTS BETWEEN CLEVIS ASSEMBLY (2), THROTTLE CABLE (3), AND SUPPORT ANGLE (1) TO OBTAIN PROPER MOUNTING.
- SECURELY TIGHTEN 7/16 NUTS AT BULKHEAD. SECURELY TIGHTEN #10 NUT.
- INSTALL TUBE CLAMP (4) WITH THROTTLE CABLE (3) TO BOTTOM OF GRIP STRUT FLANGE. SECURELY TIGHTEN FASTENERS.
- THROTTLE CABLE (3) TO BE ROUTED USING MAXIMUM POSSIBLE BEND RADIUS AND NOT TO BE HANGING LOOSE NEAR MOVING OR HOT PARTS.
- FOR CUSTOMER SUPPLIED THROTTLE CONNECTION TO ENGINE THROTTLE. ATTACHING LINKAGE NOT SHOWN OR SUPPLIED.
- THIS ASSEMBLY TO BE USED ON SERIES TC1600 THRU TC4700.
- INSTALL RETURN SPRING (10) AND MAKE SURE THAT CABLE DOES NOT BIND WHEN PEDAL IS RELEASED.
- FOR MECHANICAL ENGINES; USE #600-40348.

ITEM	QTY	DESCRIPTION	PART NUMBER
(A) 13	4	SPACER TUBE 1/2 DIA NYLON	1-036-10040
(B) 12	4	SCR, HHCS 0.25-20X2.00,ST SQC G5	S01-250CB00-25
11	2	SWIVEL STOP	0-209-00046
10	2	THROTTLE PEDAL RETURN SPRING	2-202-10062
(B) 9	1	SCR, HHCS 0.25-20X1.25,ST SQC G5	S01-250CA25-25
8	2	CABLE CLAMP	1-201-00143
(B) 7	9	NUT,HEX TPLCK 0.25-20,ST SQC G5	NTP-250C000-25
(B) 6	10	WSH, FL TYPB-REG 0.25, ST SQC	WBR-25RX734-20
(B) 5	4	SCR,HHCS FT 0.25-20X0.75,ST SQC G5	SHF-250C750-25
4	2	TUBE CLAMP 1/4 x 5/16	1-201-00141
3	2	CABLE THROTTLE	2-600-40329
2	2	CLEVIS ASS'Y	1-809-00390
1	2	THROTTLE SUBASS'Y	4-600-40347

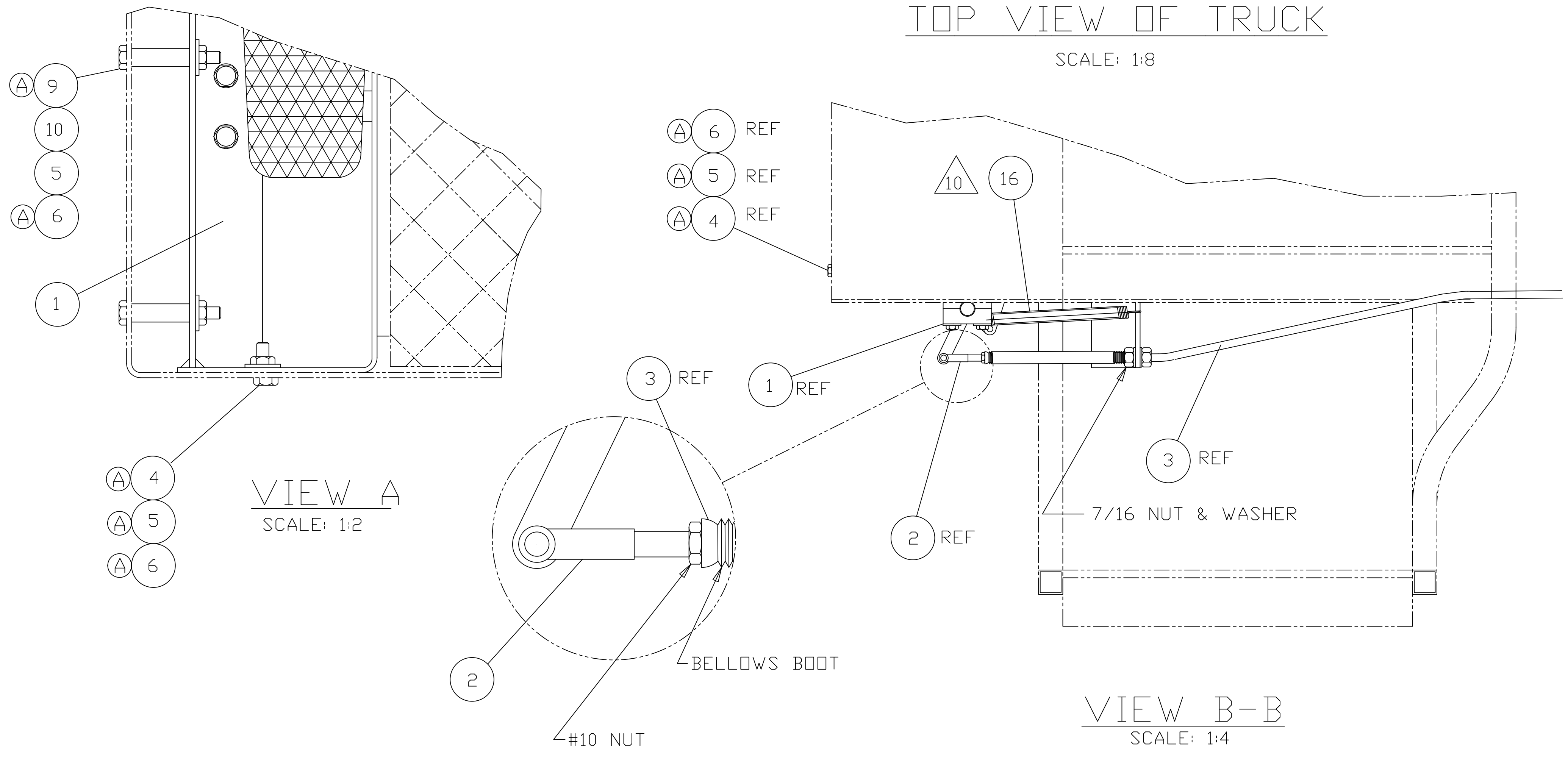
UNLESS OTHERWISE SPECIFIED:
 TOLERANCE UNLESS OTHERWISE SPECIFIED
 FRACTIONS — — — — — 1/16
 DECIMALS — — — — — 0.05
 ANGLES — — — — — 1°
 MACHINE SURFACES 125/
 DO NOT SCALE DRAWINGS
 MATERIAL
 FINISH
 THIRD ANGLE PROJECTION

DATE
 DRAWN JMG 1-4
 CHECKED JMG 1-4
 APPROVED AND FORWARDED
 THE INFORMATION CONTAINED IN THIS DRAWING IS THE SOLE PROPERTY OF LOAD/KING TRAILER AND ANY REPRODUCTION THEREOF WITHOUT PERMISSION OF LOAD/KING TRAILER IS PROHIBITED.

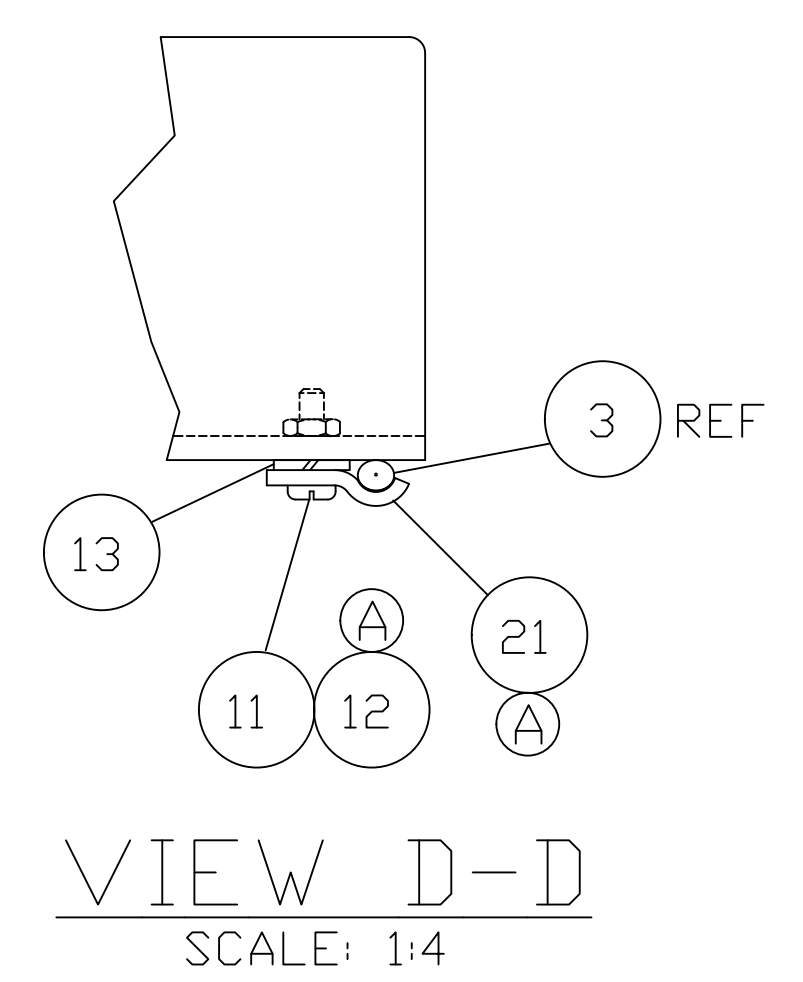
LOAD/KING
 TITLE: THROTTLE INSTALLATION
 SIZE DWG. NO. E 600-40429
 SCALE: 1:8 WEIGHT: 19# SHEET 1 OF 1



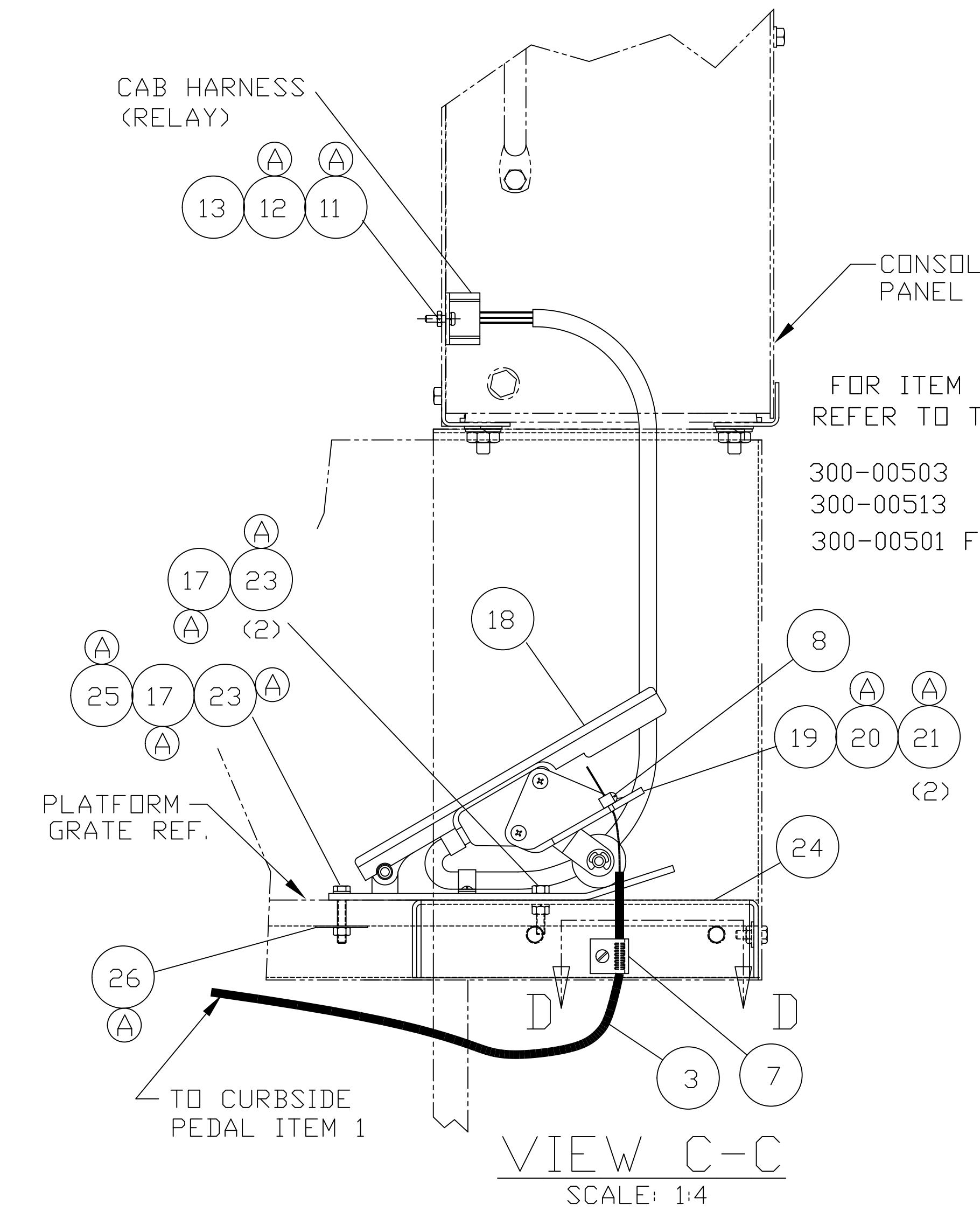
TOP VIEW OF TRUCK
SCALE: 1:8



VIEW B-B
SCALE: 1:4



VIEW D-D
SCALE: 1:4



VIEW C-C
SCALE: 1:4

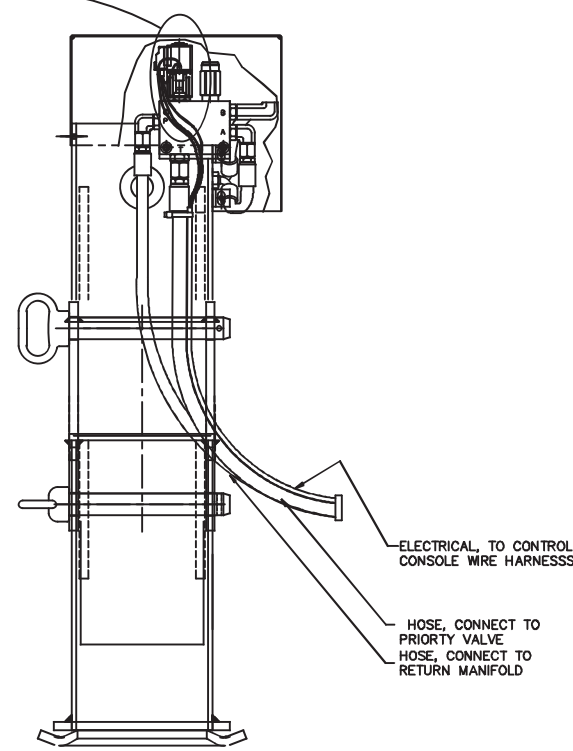
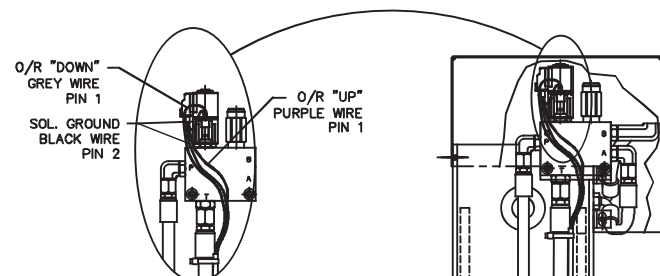
NOTE:

1. INSTALL THROTTLE PEDAL SUB-ASSEMBIES INTO PLATFORMS AND SECURELY TIGHTEN FASTENERS.
2. REMOVE #10 NUT, BELLOWS BOOT, AND 7/16 NUT, AND WASHER FROM END OF THROTTLE CABLE (3).
3. INSERT THREADED END OF THROTTLE CABLE (3) THROUGH HOLE IN ANGLE (1), APPROXIMATELY TO MIDDPOINT OF BULKHEAD. REINSTALL #10 NUT, BELLOWS BOOT, 7/16 NUT AND WASHER ONTO END OF THROTTLE CABLE (3).
4. THREAD CLEVIS ASSEMBLY (2) ONTO THREADED END OF THROTTLE CABLE (3).
5. INSTALL CLEVIS ASSEMBLY (2) TO LINK ON THROTTLE SUB-ASSEMBLY (1).
6. ADJUST CLEVIS ASSEMBLY (2), THROTTLE CABLE (3), AND SUPPORT ANGLE (1) TO OBTAIN PROPER MOUNTING.
7. SECURELY TIGHTEN 7/16 NUTS AT BULKHEAD. SECURELY TIGHTEN #10 NUT.
8. ROUTE THROTTLE CABLE (3) USING MAXIMUM POSSIBLE BEND RADIUS AND DO NOT ALLOW IT TO HANG LOOSE NEAR MOVING OR HOT PARTS. ROUTE THRU M/F TIE DOWNS & TIE WRAP TO HOSES AND/OR WIRES BETWEEN TRUCK FRAMES & CONNECT AS SHOWN. SEE NOTE #11 FOR ADJUSTMENTS.
9. FOLLOW ELECTRICAL SCHEMATIC FOR PROPER INSTALLATION. ROUTE WIRING CAREFULLY UNDER CAB TO FRONT FIRE WALL. WIRING MUST NOT INTERFERE WITH THROTTLE PEDAL ACTUATION OR ANY MOVING PARTS AND MUST BE PROTECTED FROM HEAT AND SHARP EDGES.
10. ENGINE ECM PROGRAM WILL NEED PTO AND REMOTE THROTTLE TURNED ON. CONSULT YOUR LOCAL CHASSIS SUPPLIER.
11. INSTALL RETURN SPRING (17) AND MAKE SURE THAT CABLE DOES NOT BIND WHEN PEDAL IS RELEASED.
12. TEST FOR PROPER OPERATION. WITH PTO ENGAGED, CAB THROTTLE PEDAL SHOULD BE DISABLED AND ENGINE SPEED SHOULD BE CONTROLLED FROM CRANE PLATFORMS ONLY. ECM SHOULD HAVE MAX RPM IN PTO MODE SET TO 1750.
13. ATTACH GROUND HARNESS (28) TO GROUND SCREW FASTENING ELECTRICAL BOX TO MAINFRAME.

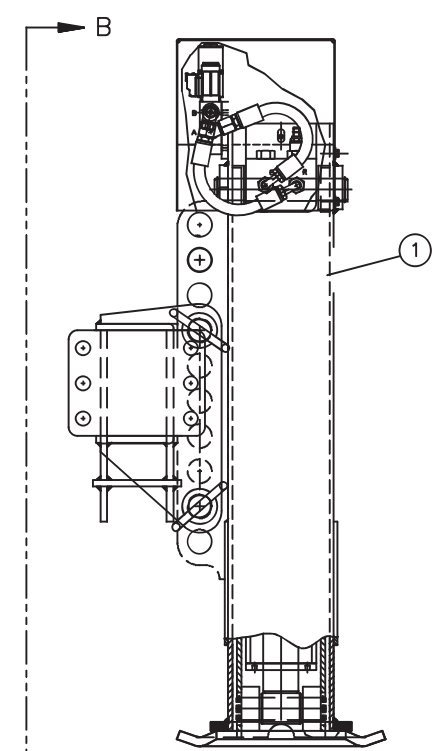
ITEM	QTY	DESCRIPTION	PART NUMBER
1	1	THROTTLE SUBASSY	600-40347
2	2	CLEVIS ASSEMBLY	809-00390
3	1	CABLE, ACCELERATOR	2-600-40329
4	4	SCR, HHCS FT 0.25-20X0.75, ST SQC G5	SHF-250C750-25
5	6	WSH, FL TYPB-REG 0.25, ST SQC	WBR-25RX734-20
6	6	NUT, HEX TPLCK 0.25-20, ST SQC G5	NTP-250C000-25
7	1	CLAMP THROTTLE CABLE	1-201-00143
8	1	SWIVEL STOP	0-209-00046
9	4	SCR, HHCS 0.25-20X2.00, ST SQC G5	S01-250C800-25
10	4	SPACER TUBE 1/2 DIA NYLON	1-036-10040
11	3	RHMC 10-32 NF X .75 GR2 ZINC	SL4-190F750-22
12	3	NUT, HEX NYL-INS 10-32, ST SQC G2	NYL-190F000-22
13	2	FLAT WASHER #10 ZINC PLTD	0-222-00007
14	REF	ELECTRICAL SCHEMATIC	0-400-25170
15			
16	1	THROTTLE PEDAL RETURN SPRING	2-202-10062
17	2	WSH, LCK, MED SPLT 0.25, ST SQC	W07-250X000-20
18	REF		
19	1	PLATE, BRACKET THROTTLE PEDAL	2-789-05177
20	2	RHMC #10-32 NF X 1 1/4 GRD 2 ZINC	SL5-190FA25-20
21	3	WSH, LCK, MED SPLT 10, ST SQC	W07-190X000-20
22			
23	3	NUT, HEX 0.25-20, ST SQC G5	N04-250C000-25
24	1	MTG PLATE, THROTTLE PEDAL	2-789-05176
25	1	SCR, HHCS 0.25-20X1.75, ST SQC G5	S01-250CA75-25
26	1	WSH, FNRD 0.25X1.50, ST SQC	WFD-250XA50-20

A	11/01/17	CHANGED: WFD-250XA50-20 WAS 222-00019 S01-250CA75-25 WAS 220-00035 N04-250C000-25 WAS 221-00001 W07-190X000-20 WAS 222-10006 SL5-190FA25-20 WAS 223-01120 W07-250X000-20 WAS 222-10005 NYL-190F000-22 WAS 221-90003 SL4-190F750-22 WAS 223-011004 S01-250C800-25 WAS 220-00007 NTP-250C000-25 WAS 221-90001 WBR-25RX734-20 WAS 222-00006 SHF-250C750-25 WAS 220-00003	296A106094
--	10/05/04	PRODUCTION RELEASE	P154
REV. LET.	L.E.N. DATE	CHANGE	ALL CHANGES MUST BE MADE ON CAD. E.C.N.

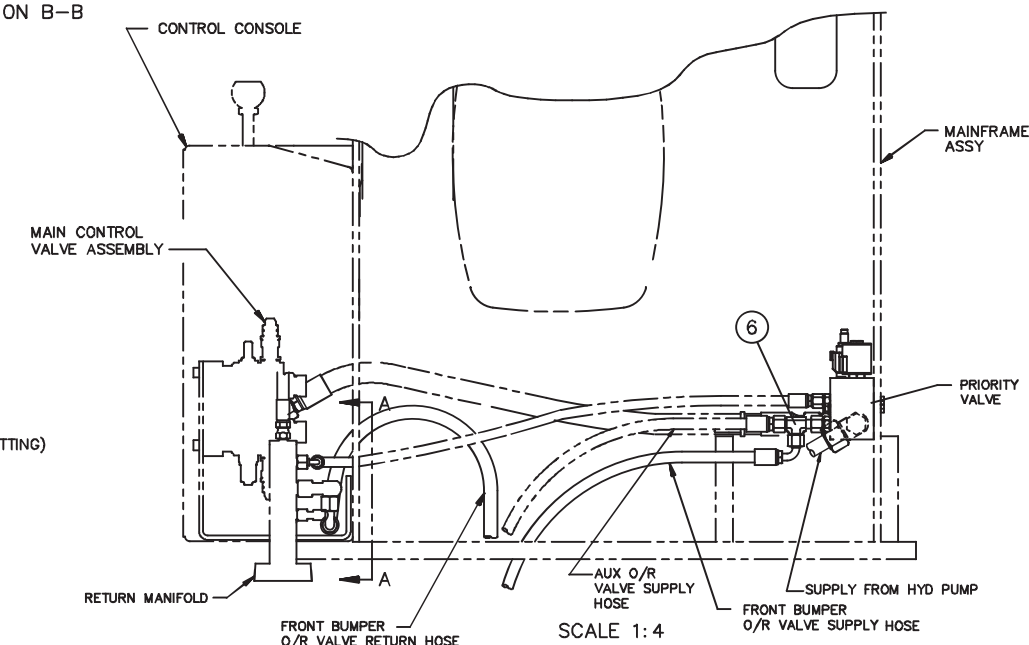
UNLESS OTHERWISE SPECIFIED: ALL DIMENSIONS IN INCHES
 DIMENSIONS UNLESS NOTED: X = ±.12, XX = ±.06, XXX = ±.020
 DO NOT SCALE DRAWINGS
 MATERIAL LISTED: NONE
 DRAWN: N/A
 CHECKED: N/A
 DATE: N/A
 TITLE: THROTTLE INSTALL
 DWG. NO.: 600-40439
 SCALE: N/A/WEIGHT: N/A
 SHEET 1 OF 1



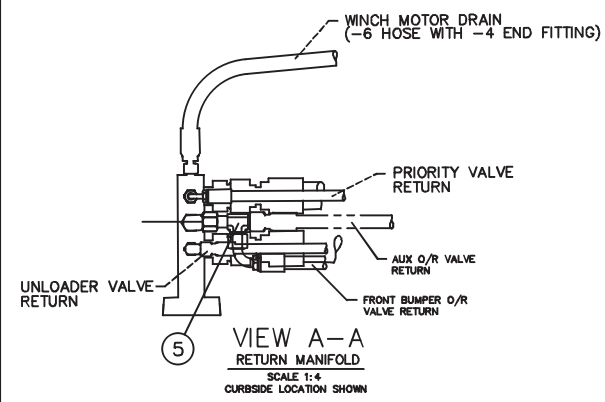
SCALE 1:2
SECTION B-B



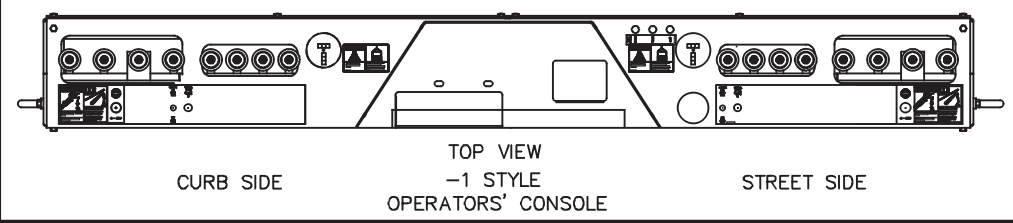
SCALE 1:2
SIDE VIEW OF FRONT MOUNTED OUTRIGGER WITH EXTENDED FRAME



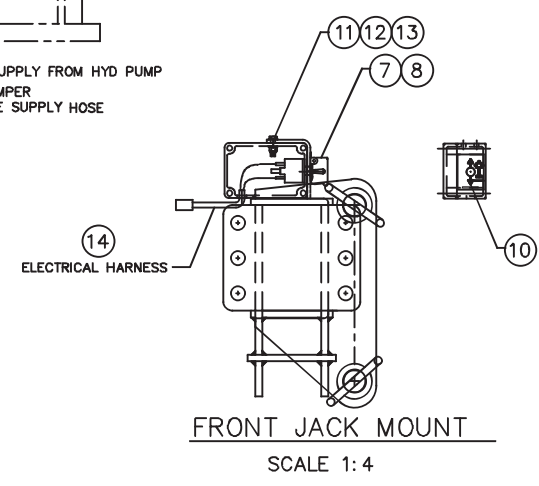
SCALE 1:4
SIDE VIEW MAINFRAME



SCALE 1:4
VIEW A-A
RETURN MANIFOLD
CURBSIDE LOCATION SHOWN



TOP VIEW
-1 STYLE
OPERATORS' CONSOLE



SCALE 1:4
FRONT JACK MOUNT

QTY.	ITEM	PART NO.	DESCRIPTION	WT.
1	1	T135724	O/R SUB ASSY, FRT BMP EXT FRM	
2	2	789-06043.3	1/8" SHIM PLATE	
2	3	789-06044.3	1/4" SHIM PLATE	
4	4	789-06045.3	3/8" SHIM PLATE	
1	5	516-85004	TEE 2x M#8 OFS x F#8 OFS	
1	6	516-84003	TEE 2x M#6 OFS x M#6 ORB	
1	7	400-04122	TOGGLE SWITCH, MICRO	
1	8	400-04036	COVER SWITCH	
1	9	T128151	34" FRONT O/R MTG BRACKET	
1	10	651-00464	DECAL, FIFTH O/R FRT BUMPER	
1	11	T128152	ELECT BOX FRONT O/R	
2	12	SFS-250CA00-25	HXFLG, SERR 0.25-20 X 1.00, G5	
2	13	NFH-250C000-25	NUT, HEX FLANGE, 0.25-20, ST Z G5	
1	14	T135404	WIRE HARNESS, FRONT BUMPER O/R	
16	14	WAJ-750X000-Y2	WAJ-750X000-Y2	
8	15	S01-750CC25-Y8	SCR, HHCS 0.75-10X3.25,ST YZ GR8	
8	16	NYL-750C000-Y8	NUT,HEX NYL-INS 0.75-10,ST YZ G8	

NOTES:

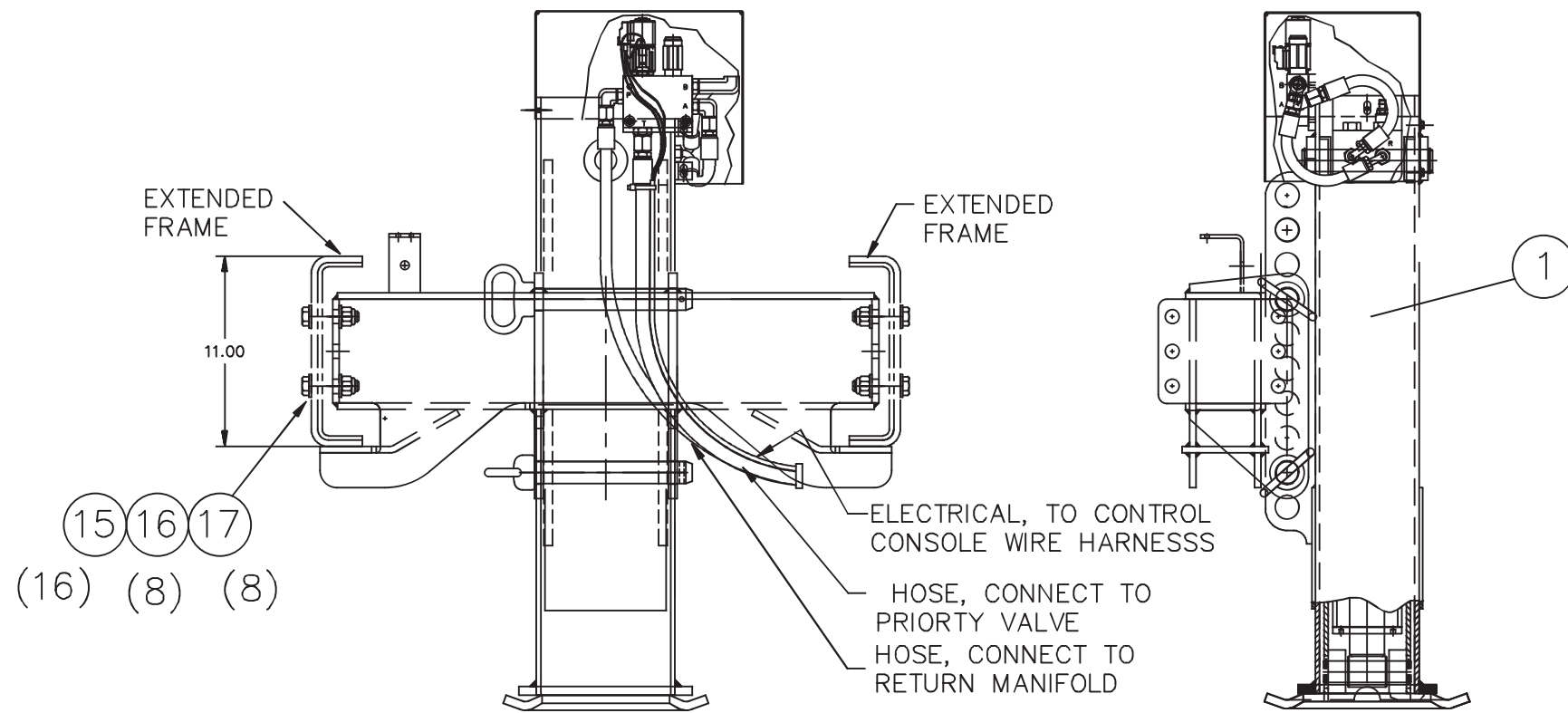
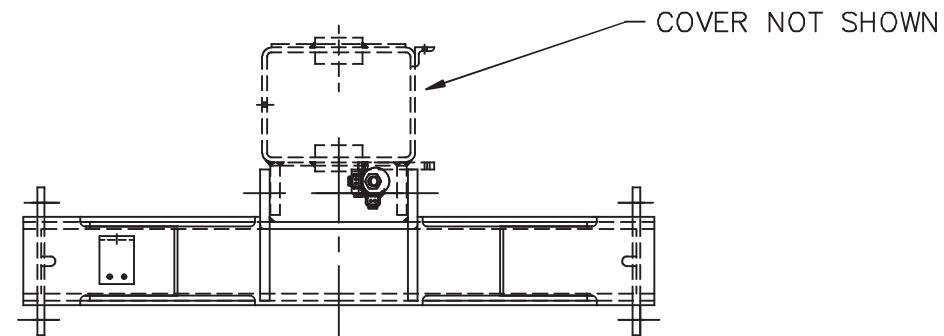
- 1 INSTALL EXTENDED FRAME FRONT BUMPER OUTRIGGER SUB ASSEMBLY (1) ON FRONT OUTRIGGER MOUNTING BRACKETS ITEM 9.
- 2 INSTALL #6 RUN TEE (6) AT PRIORITY VALVE. INSTALL FRONT O/R VALVE SUPPLY HOSE TO TEE.
- 3 INSTALL #8 RUN TEE ITEM (5) AT RETURN MANIFOLD AND ATTACH RETURN HOSE.
- 4 INSTALL SWITCH (7) & SWITCH COVER (8) IN ELECTRICAL BOX (11) ATTACH APPROPRIATE CONNECTIONS ON WIRING HARNESS TO SWITCH'S AND CONNECT WIRE FROM FRONT JACK TO APPROPRIATE WIRE HARNESS CONNECTIONS AND ATTACH THE GROUND WIRE.

SIMILAR TO: 760-00464-2

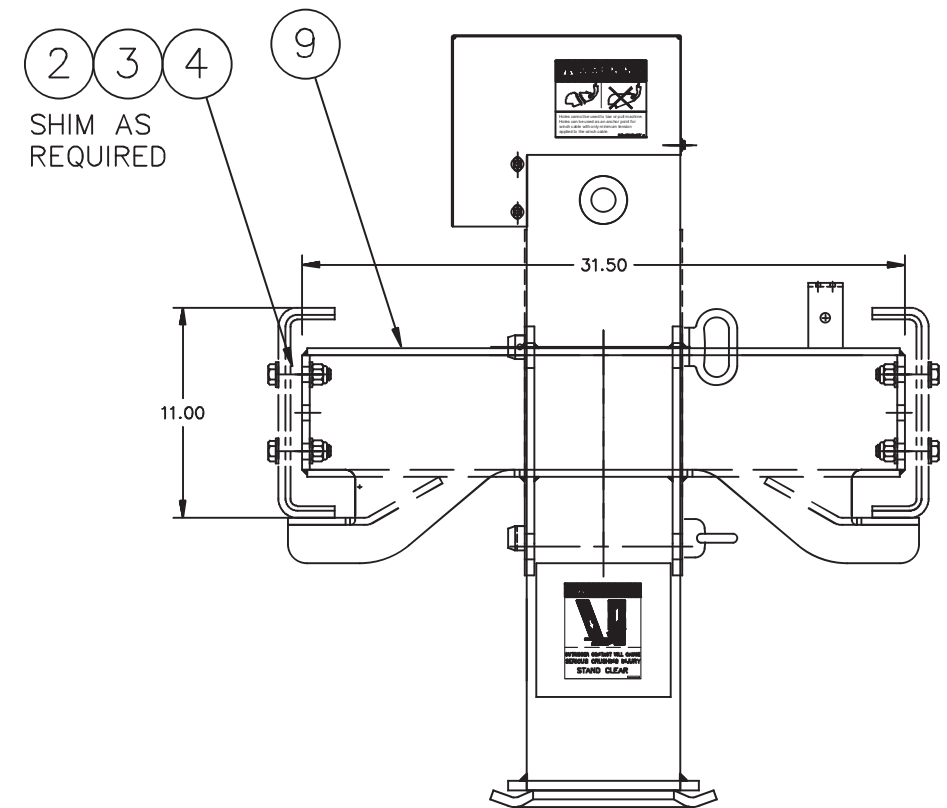
B	12/12/16	ADD WAJ-750X000-Y2 QTY 16, S01=750CC25-Y8 QTY 8, NYL-750C000-Y8 QTY 8	296A105651
A	9-18-13	PRODUCTION RELEASE	296A103630
REV. LET.	L.E.N. DATE	CHANGE	E.C.N.

UNLESS OTHERWISE SPECIFIED:		NAME	DATE	LOAD KING
ALL DIMENSIONS IN INCHES TOLERANCES-UNLESS NOTED: .X = ±.12 .XX = ±.06 .XXX = ±.020		DRAWN	R FORD 9/18/13	
DO NOT SCALE DRAWING		CHECKED	MAN 9/18/13	TITLE:
MATERIAL		PROPRIETARY AND CONFIDENTIAL		34" EXT FRAME ASSY FRONT BUMPER O/R (BT)
FINISH		THE INFORMATION CONTAINED IN THIS DRAWING IS THE SOLE PROPERTY OF LOAD KING TRAILERS. ANY REPRODUCTION IN PART OR AS WHOLE WITHOUT THE WRITTEN PERMISSION OF LOAD KING TRAILERS IS PROHIBITED.		
THIRD ANGLE PROJECTION		SIZE	DWG. NO.	REV
		B	T134655	B
		SCALE: 1:1	WEIGHT:	SHEET 1 OF 2

QTY.	ITEM	PART NO.	DESCRIPTION	WT.
------	------	----------	-------------	-----



SCALE 1:1
 REAR VIEW OF FRONT
 MOUNTED O/R EXT FRAME
 34" FRAME WIDTH.



FRONT VIEW OF FRONT
 FRONT VIEW OF FRONT
 MOUNTED O/R EXT FRAME
 34" FRAME WIDTH.

25-TON, 35-TON SERIES
 EXTENDED FRAME
 34" FRAME WIDTH

A	9-18-13	PRODUCTION RELEASE	296A103630
REV. LET.	L.E.N. DATE	CHANGE	E.C.N.

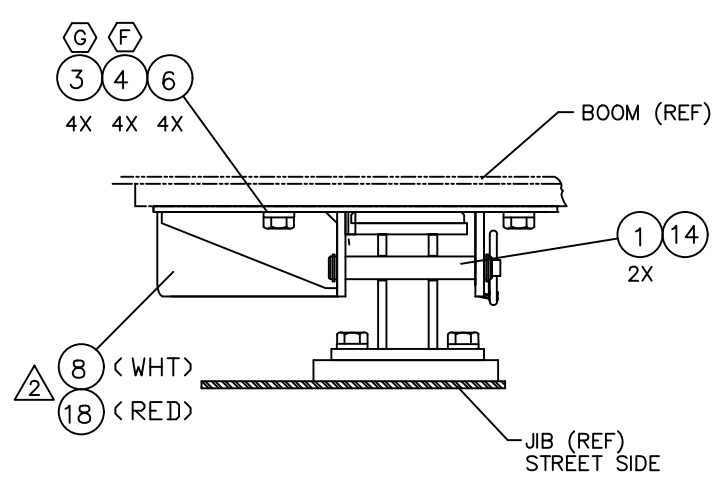
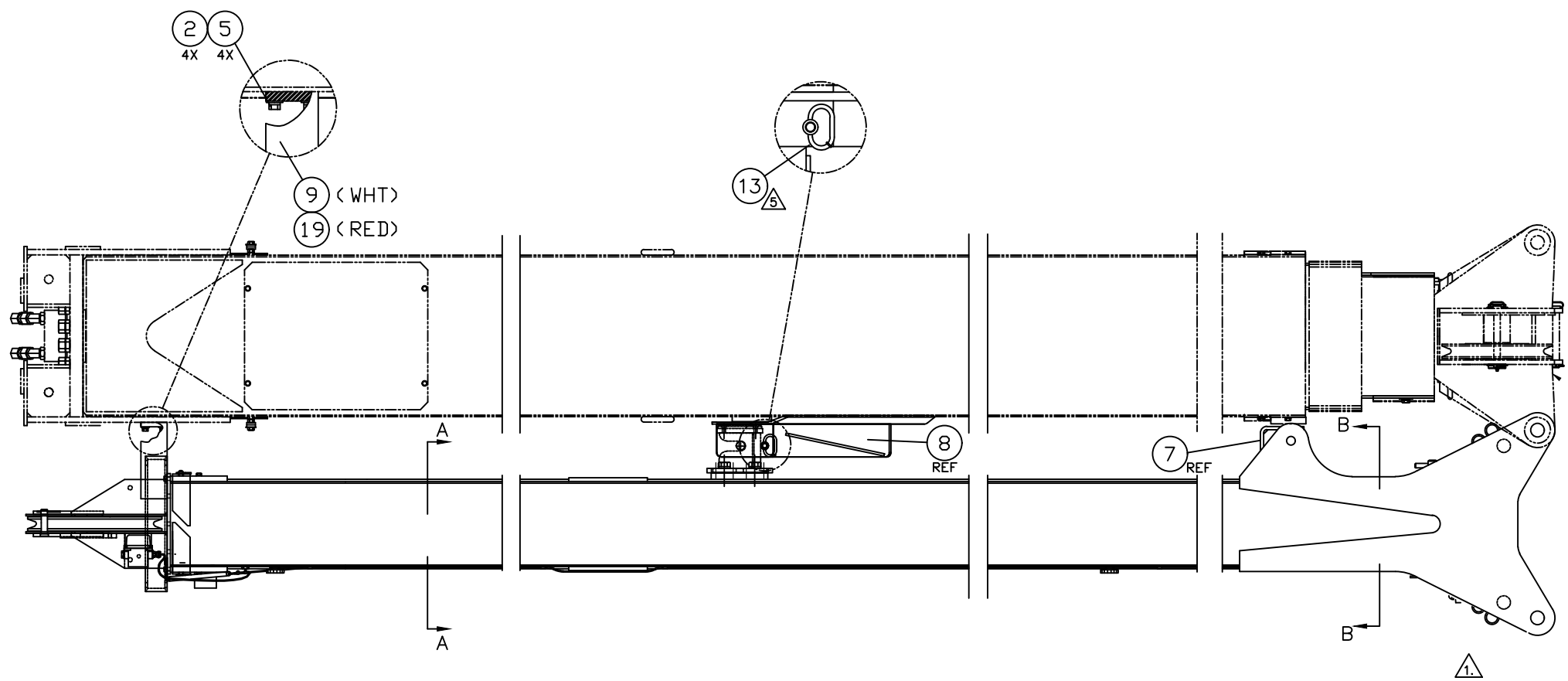
LOAD KING		
SIZE	DWG. NO.	REV
B	T134655	B
SCALE: 1:1		SHEET 2 OF 2

2	1	200-10011	SNAP RING
E	4	2 SHF-375CA00-25	SCR,HHCS FT 0.375-16X1.00,ST SQC G5
G	8	3 SHF-625CA50-25	SCR,HHCS FT 0.625-11X1.50,ST SQC G5
F	8	4 WAW-62WX000-20	WSH, FL TYPA-REG 0.625, ST SQC G2
E	4	5 W07-375X000-20	WSH, LCK, MED SPLT 0.375, ST SQC
E	8	6 W07-625X000-20	WSH, LCK, MED SPLT 0.625, ST SQC
E	1	7 770-01736	BRKT WELD, JIB STOW (WHITE)
E	1	8 770-02322	BRKT WELD, STOW RAMP (WHITE)
E	1	9 770-02523	BRKT WELD, JIB STOP (WHITE)
	2	10 787-00226	SHIM .040x2-3/8x4
	2	11 787-00227	SHIM .063x2-3/8x4
G	5	12 787-00228	SHIM .100x2-3/8x4
	1	13 870-00152	HITCH PIN ASSY
	1	14 870-20256	PIN,1"DIA-JIB STOW

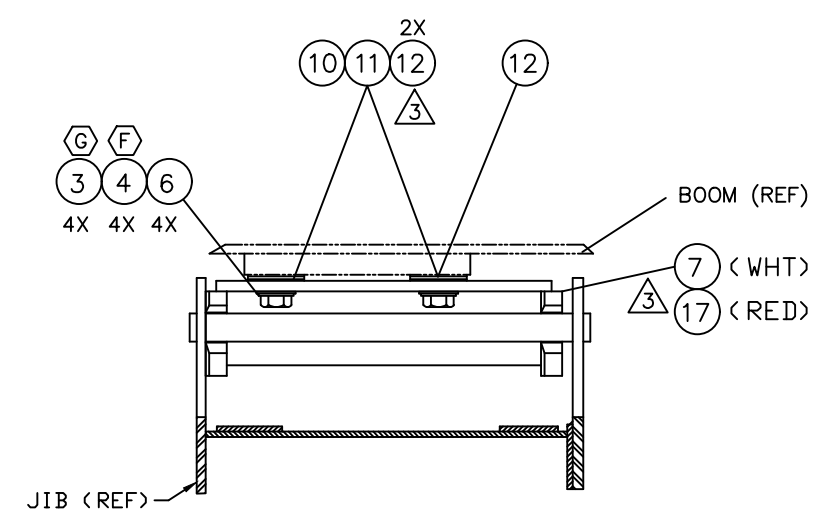
NOTES:

- ⚠ JIB TO BE PINNED IN FULLY RETRACTED POSITION.
- ⚠ INSTALL JIB STOW BRACKET RAMP (8) AND ADJUST VERTICALLY TO ALLOW BEST APPROACH BY JIB STOW BRACKET.
- ⚠ INSTALL BOOM TIP JIB STOW BRACKET (7) AND ADJUST USING SHIMS (10,11 & 12) TO OBTAIN BEST FIT BETWEEN BRACKET (7) AND FIXED PIN AT BASE END OF JIB WHEN IN STOWED POSITION.
- 4. SECURELY TIGHTEN ALL FASTENERS AFTER MAKING FINAL ADJUSTMENTS.
- ⚠ INSTALL HITCH PIN ASSY (13). WHEN JIB IS IN STOWED POSITION.

730-51332-1



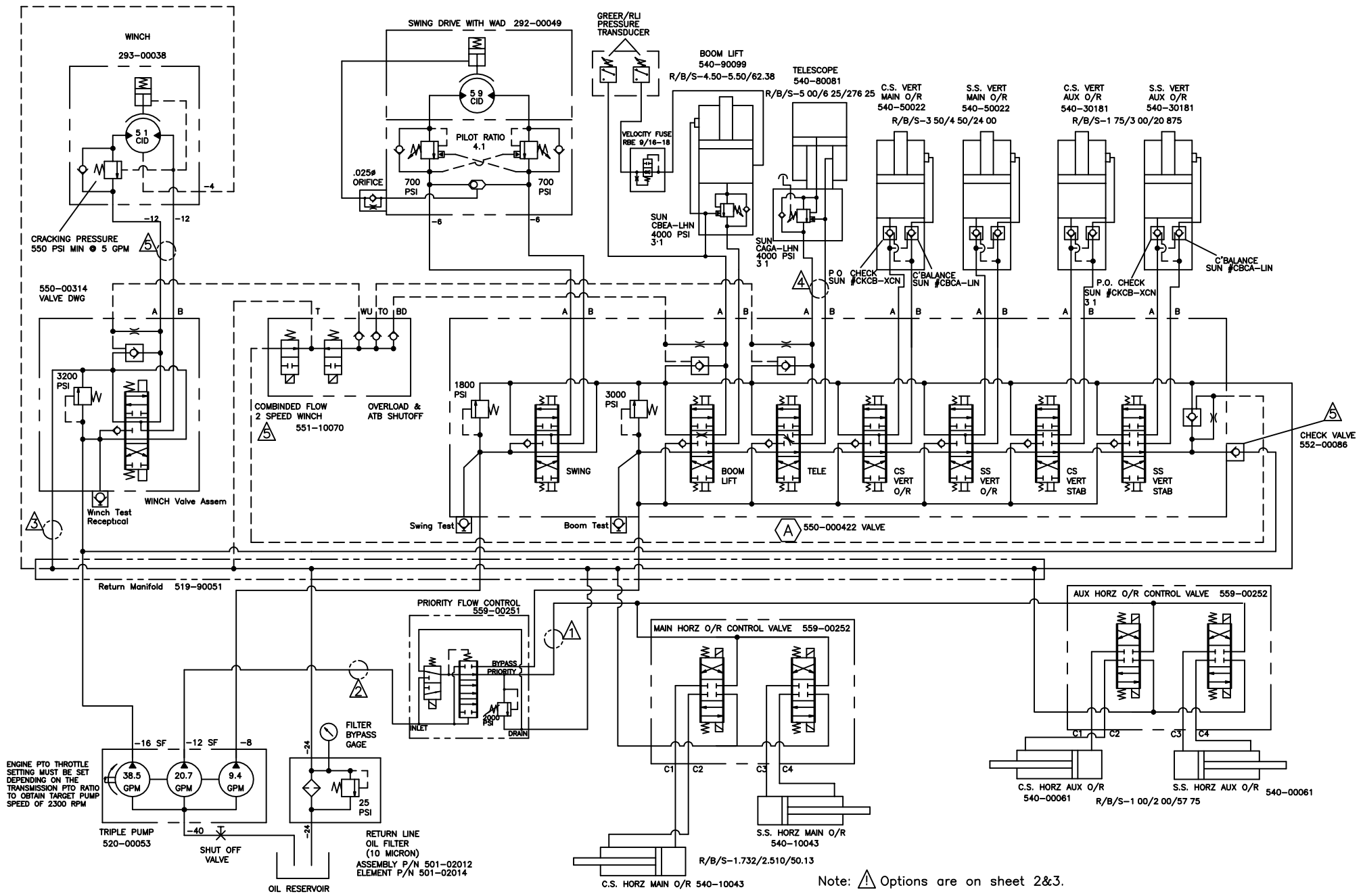
SECTION A-A
SCALE: 1/2



SECTION B-B
SCALE: 1/2

G	11/18/17	CHANGED: SHF-625CA50-25 WAS SHF-625CA25-25 787-00228 QTY 5 WAS 787-00228 QTY 2	296A106166	E	6-20-12	ADD 730-51332-1 ADD 730-51332-2 ADD 730-51332-3 ADDED ITEM 17, T126536, JIB STOW BRKT (RED) ADDED ITEM 18, T126535, JIB STOW RAMP BRKT (RED) ADDED ITEM 19, T126534, JIB STOP BRKT (RED) UPDATED HARDWARE TO NEW STANDARD	296A102377
F	11/02/2017	CHANGED WAW-62WX000-20 WAS WAR-625X000-22	296A106102	D	3-4-11	ITEM 15, T105648 WAS 653-00410-1 ITEM 16, T105650 WAS 653-00410-2	296A101037
REV. LET.	L.E.N. DATE	CHANGE	E.C.N.	C	6-2-08	ITEM 15, 653-00410-1 WAS 653-00440-1 ITEM 16, 653-00410-2 WAS 653-00440-2	M235
				B	9/10/07	ITEM 15, 653-00440-1 WAS 653-00394 ADDED ITEM 16, 653-00410-2, QTY 2 ADDED 730-51332-1(BLK),-2(WHT),-3(W/O)	M663
				A	12/7/05	ADDED ITEM 15, 653-00394, QTY 2	N551

UNLESS OTHERWISE SPECIFIED:		NAME	DATE	LOAD KING
ALL DIMENSIONS IN INCHES		DRAWN	NB	
TOLERANCES-UNLESS NOTED:		CHECKED		TITLE:
.x = ±1.5 [0.06]		PROPRIETARY AND CONFIDENTIAL		JIB STOWAGE-35-TON SERIES
.xx = ±0.6 [0.02]		THE INFORMATION CONTAINED IN THIS DRAWING IS THE SOLE PROPERTY OF LOAD KING TRAILERS. ANY REPRODUCTION IN PART OR AS WHOLE WITHOUT THE WRITTEN PERMISSION OF LOAD KING TRAILERS IS PROHIBITED.		SIZE DWG. NO.
.xxx = ±0.25 [0.01]		DO NOT SCALE DRAWING		C 730-51332
MATERIAL LISTED		THIRD ANGLE PROJECTION		REV G
FINISH N/A				SCALE: 1:16 WEIGHT: SHEET 1 OF 1



ENGINE PTO THROTTLE SETTING MUST BE SET DEPENDING ON THE TRANSMISSION PTO RATIO TO OBTAIN TARGET PUMP SPEED OF 2300 RPM

CRACKING PRESSURE 550 PSI MIN @ 5 GPM

COMBINED FLOW 2 SPEED WINCH 551-10070

OVERLOAD & ATB SHUTOFF

TRIPLE PUMP 520-00053

SHUT OFF VALVE

RETURN LINE OIL FILTER (10 MICRON) ASSEMBLY P/N 501-02012 ELEMENT P/N 501-02014

OIL RESERVOIR

Note: Options are on sheet 2&3.

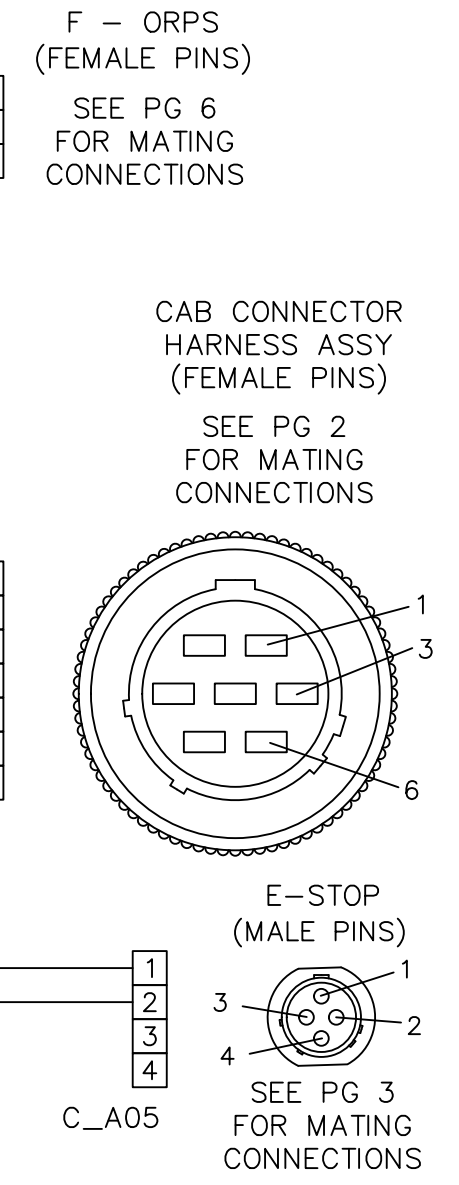
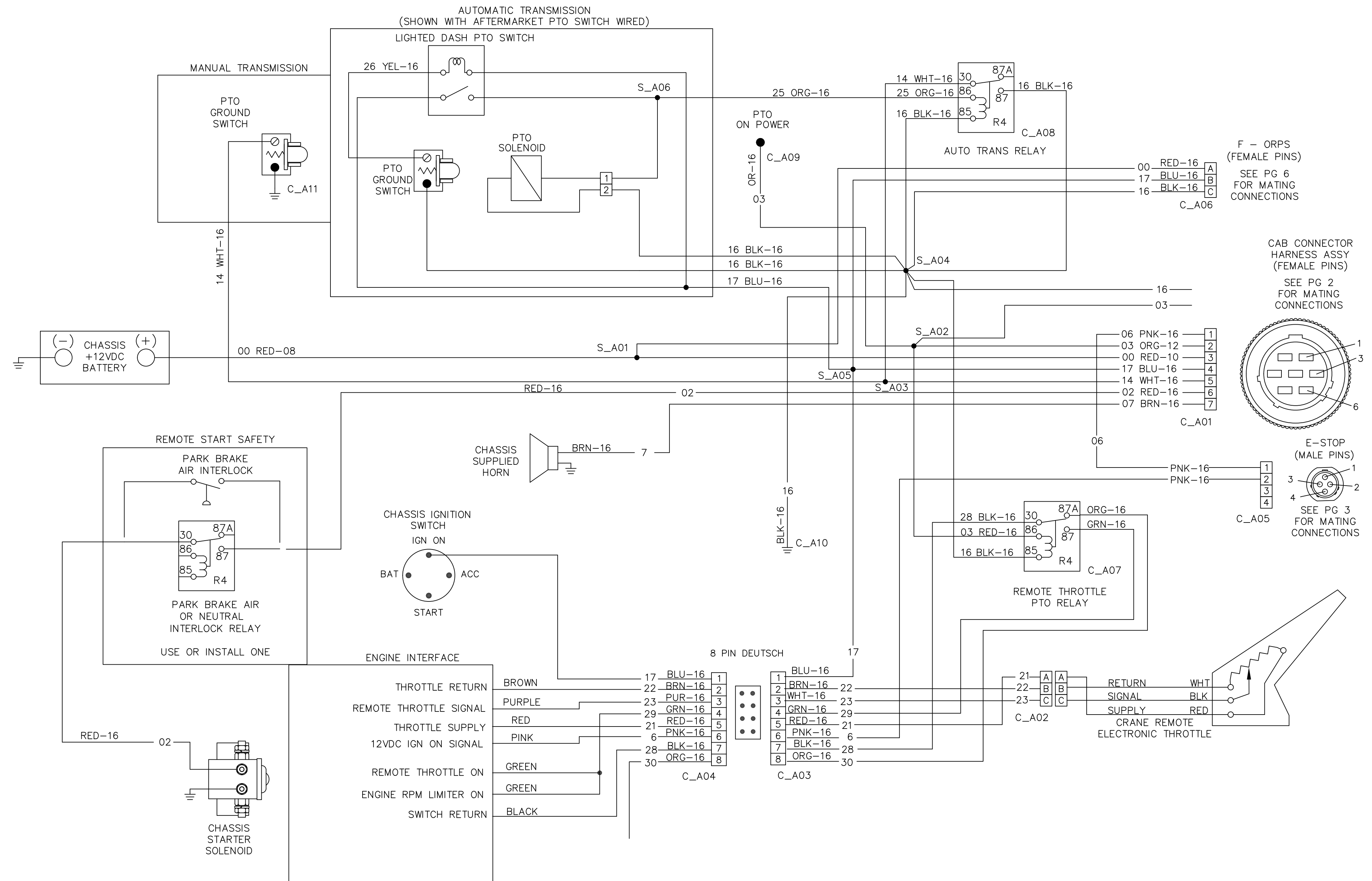
A	11/21/06	UPDATED MAIN VALVE SWING & HOIST SPOOLS	N113
-		PRODUCTION RELEASE	N721
REV LET	L.E.N. DATE	CHANGE	ALL CHANGES MUST BE MADE ON CID E.C.N.

UNLESS OTHERWISE SPECIFIED:		NAME	DATE
ALL DIMENSIONS IN INCHES		DRAWN	
TOLERANCES-UNLESS NOTED:		CHECKED	
.X = ±.12		PROPRIETARY AND CONFIDENTIAL THE INFORMATION CONTAINED IN THIS DRAWING IS THE SOLE PROPERTY OF LOAD KING TRAILERS. ANY REPRODUCTION IN PART OR AS WHOLE WITHOUT THE WRITTEN PERMISSION OF LOAD KING TRAILERS IS PROHIBITED.	
.XX = ±.06			
.XXX = ±.020			
DO NOT SCALE DRAWING		THIRD ANGLE PROJECTION	
MATERIAL			
FINISH			

LOAD KING		
TITLE:		
HYDRAULIC SCHMATIC		
SIZE	DWG. NO.	REV
B	500-01812	A
SCALE: NONE	WEIGHT:	SHEET 1 OF 3

Item	Part No	Description	Qty	WT	Item	Part No	Description	Qty	WT	Item	Part No	Description	Qty	WT	Item	Part No	Description	Qty	WT
------	---------	-------------	-----	----	------	---------	-------------	-----	----	------	---------	-------------	-----	----	------	---------	-------------	-----	----

REV. LET.	DATE	CHANGE	ALL CHANGES MUST BE MADE ON ORIGINAL	E.C.O.
A	12/9/13	PRODUCTION RELEASE		296A103859
B	02/10/16	ADDED : FUNCTIONS LABEL ON GREER CONTROLLER CHANGED : CONNECTION IN GREER DISPLAY UPDATED: AS PER THE HARNESS T121846		296A105324



UNLESS OTHERWISE SPECIFIED: ALL DIMENSIONS IN INCHES TOLERANCES-UNLESS NOTED: .X = ±1.5 [0.04] .XX = ±0.6 [0.02] .XXX = ±0.25 [0.01]		NAME: JMS DATE: 10/29/13	
DO NOT SCALE DRAWING		CHECKED:	
MATERIAL:		<small>PROPRIETARY AND CONFIDENTIAL</small> THE INFORMATION CONTAINED IN THIS DRAWING IS THE SOLE PROPERTY OF LOAD KING TRAILERS. ANY REPRODUCTION OR IN-PART OR AS WHOLE WITHOUT THE WRITTEN PERMISSION OF LOAD KING TRAILERS IS PROHIBITED.	
FINISH:		SIZE: D	DWG. NO. T135884
		SCALE:	REV B
		THIRD ANGLE PROJECTION	WEIGHT: SHEET 1 OF 8

SIMILAR TO SCHEMATIC T128072

4

3

2

1

D

D

C

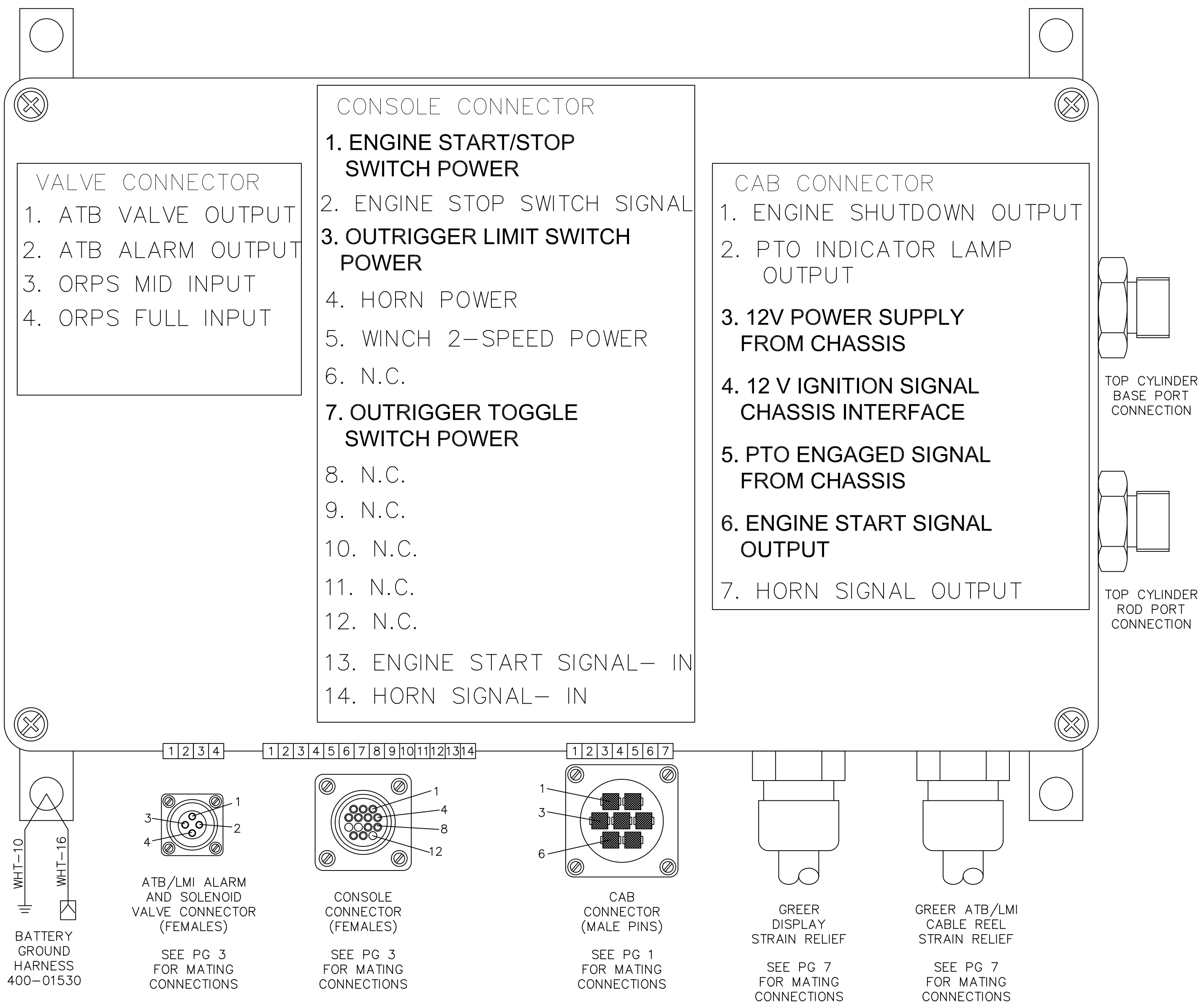
C

B

B

A

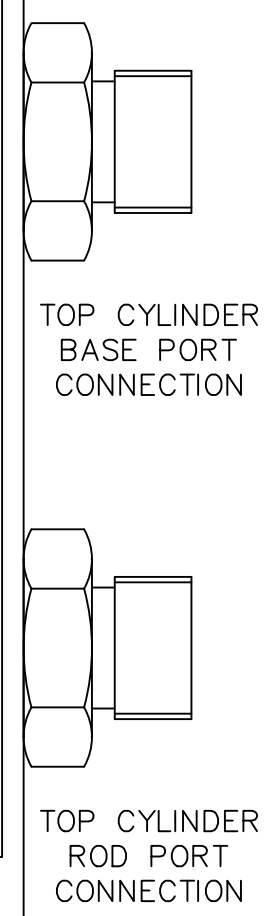
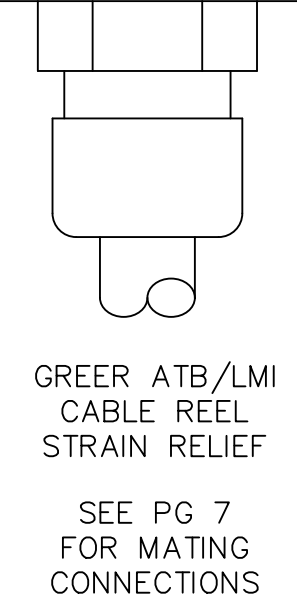
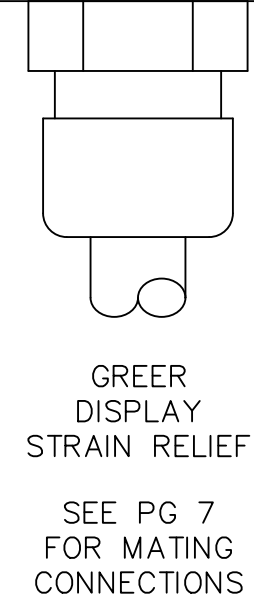
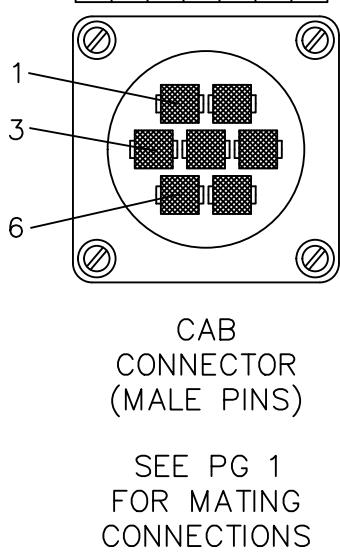
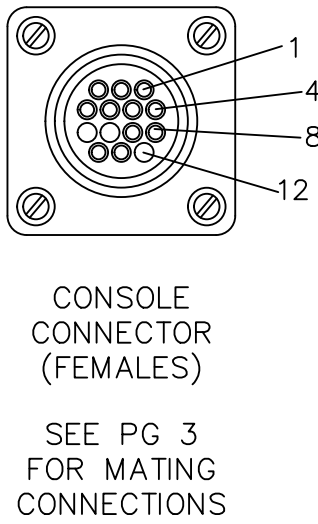
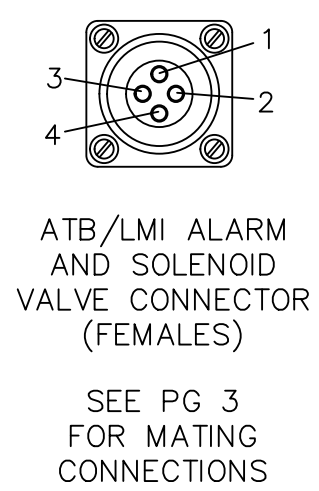
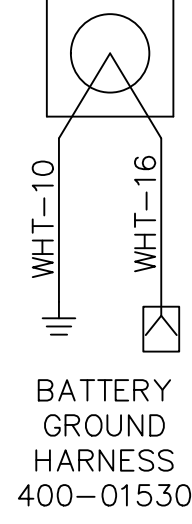
A



- VALVE CONNECTOR**
- 1. ATB VALVE OUTPUT
 - 2. ATB ALARM OUTPUT
 - 3. ORPS MID INPUT
 - 4. ORPS FULL INPUT

- CONSOLE CONNECTOR**
- 1. **ENGINE START/STOP SWITCH POWER**
 - 2. ENGINE STOP SWITCH SIGNAL
 - 3. **OUTRIGGER LIMIT SWITCH POWER**
 - 4. HORN POWER
 - 5. WINCH 2-SPEED POWER
 - 6. N.C.
 - 7. **OUTRIGGER TOGGLE SWITCH POWER**
 - 8. N.C.
 - 9. N.C.
 - 10. N.C.
 - 11. N.C.
 - 12. N.C.
 - 13. ENGINE START SIGNAL- IN
 - 14. HORN SIGNAL- IN

- CAB CONNECTOR**
- 1. ENGINE SHUTDOWN OUTPUT
 - 2. PTO INDICATOR LAMP OUTPUT
 - 3. **12V POWER SUPPLY FROM CHASSIS**
 - 4. **12 V IGNITION SIGNAL CHASSIS INTERFACE**
 - 5. PTO ENGAGED SIGNAL FROM CHASSIS
 - 6. ENGINE START SIGNAL OUTPUT
 - 7. HORN SIGNAL OUTPUT



LOAD/KING		
SIZE	DWG. NO.	REV
C	T135884	B
SCALE:		SHEET 2 OF 8

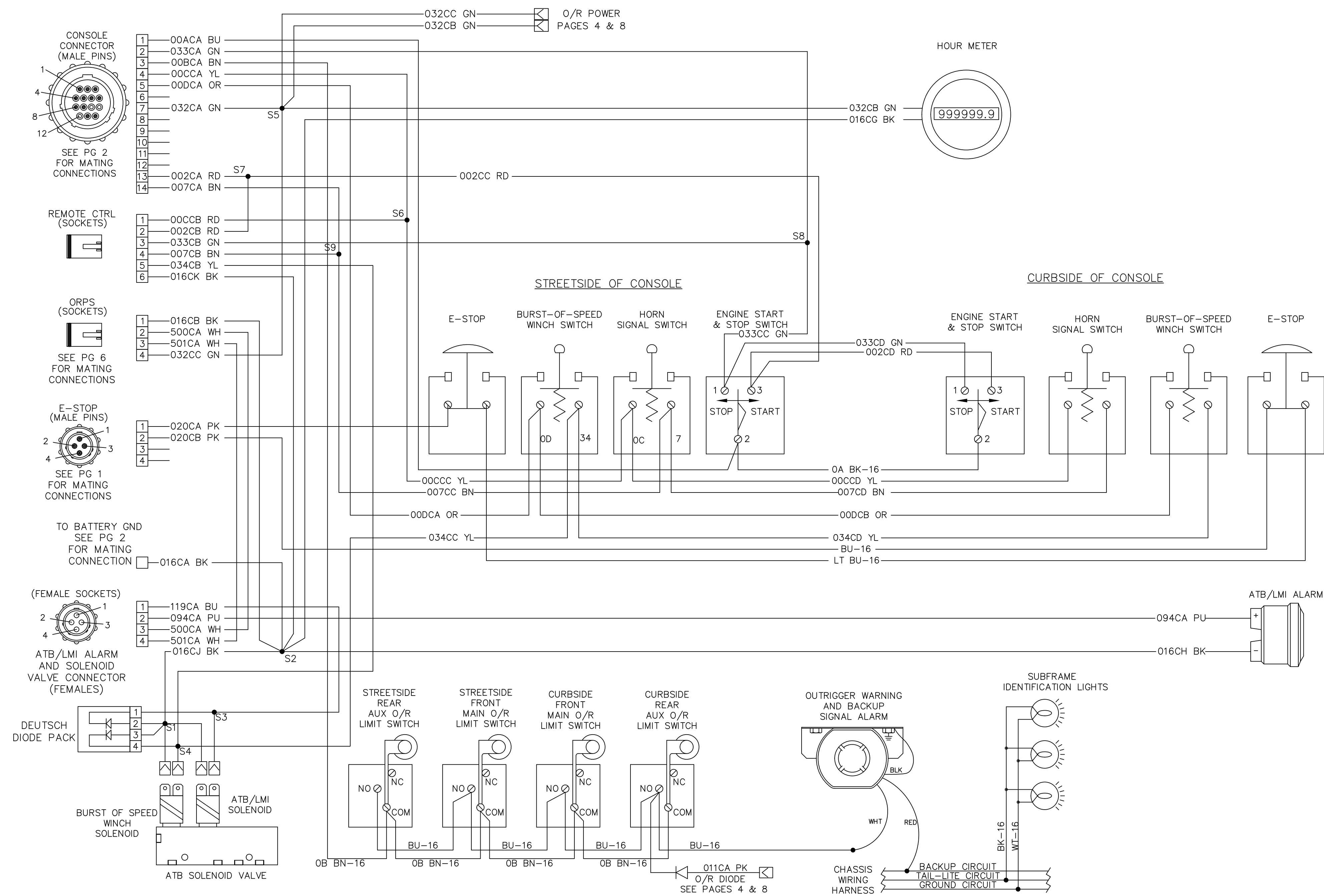
4

3

2

1

CRANE CONSOLE



4

3

2

1

D

D

C

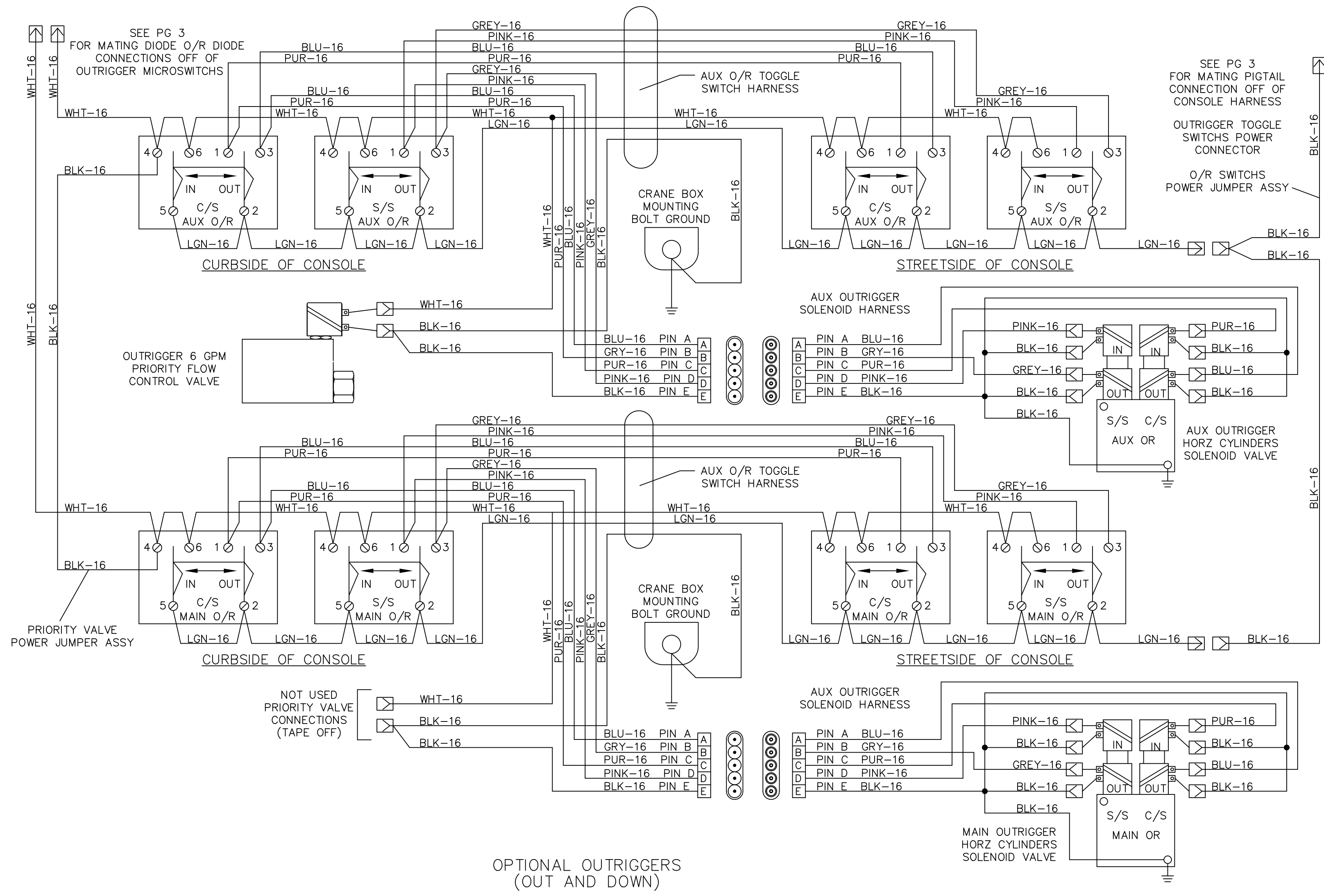
C

B

B

A

A



SEE PG 3
FOR MATING DIODE O/R DIODE
CONNECTIONS OFF OF
OUTRIGGER MICROSWITCHES

SEE PG 3
FOR MATING PIGTAIL
CONNECTION OFF OF
CONSOLE HARNESS
OUTRIGGER TOGGLE
SWITCHES POWER
CONNECTOR
O/R SWITCHES
POWER JUMPER ASSY

CURBSIDE OF CONSOLE

STREETSIDE OF CONSOLE

OUTRIGGER 6 GPM
PRIORITY FLOW
CONTROL VALVE

PRIORITY VALVE
POWER JUMPER ASSY

CURBSIDE OF CONSOLE

STREETSIDE OF CONSOLE

NOT USED
PRIORITY VALVE
CONNECTIONS
(TAPE OFF)

OPTIONAL OUTRIGGERS
(OUT AND DOWN)

LOAD/KING		
SIZE	DWG. NO.	REV
C	T135884	B
SCALE:		SHEET 4 OF 8

4

3

2

1

4

3

2

1

D

D

C

C

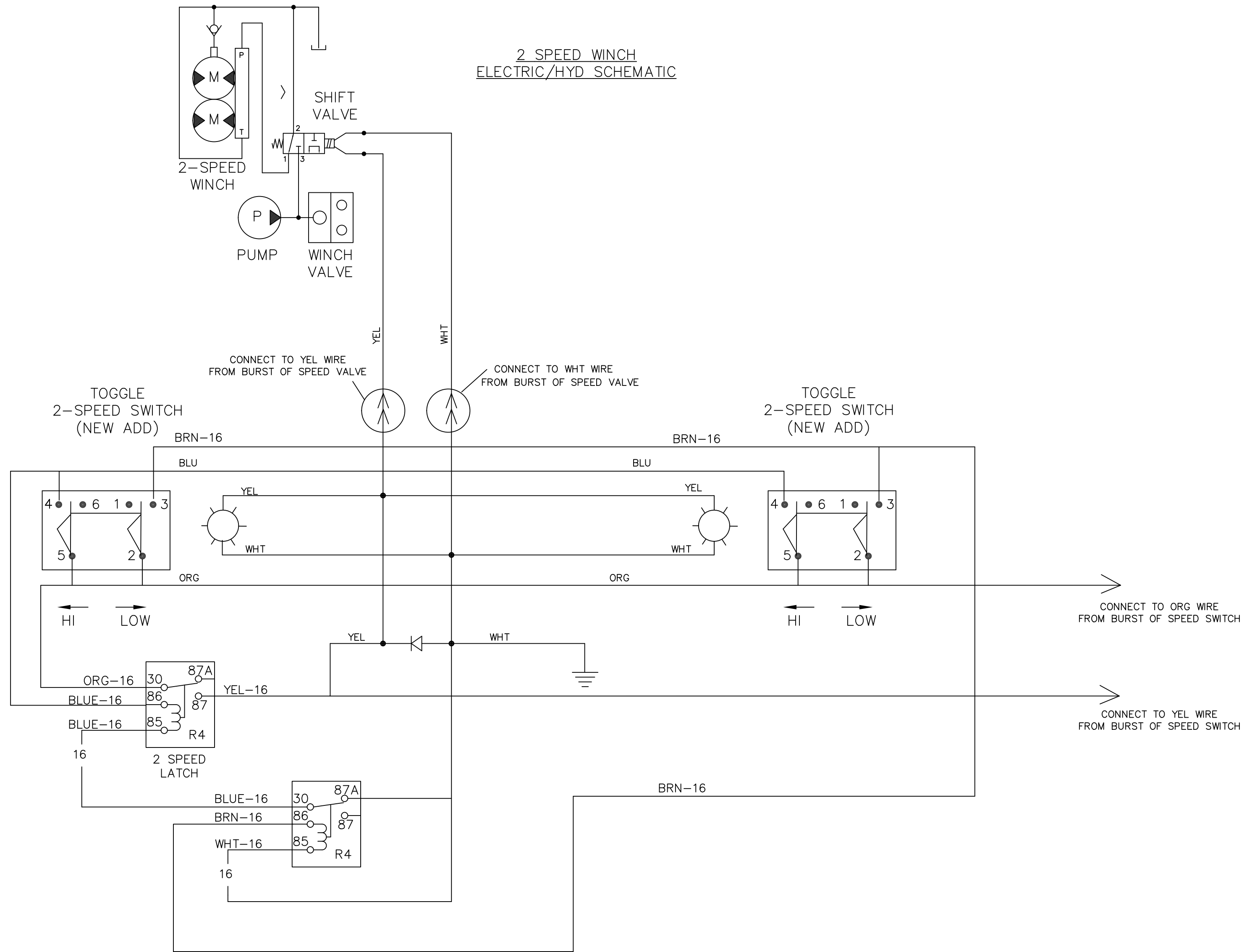
B

B

A

A

2 SPEED WINCH ELECTRIC/HYD SCHEMATIC



LOAD/KING		
SIZE	DWG. NO.	REV
C	T135884	B
SCALE:		SHEET 5 OF 8

4

3

2

1

4

3

2

1

D

D

C

C

B

B

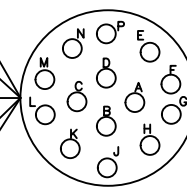
A

A

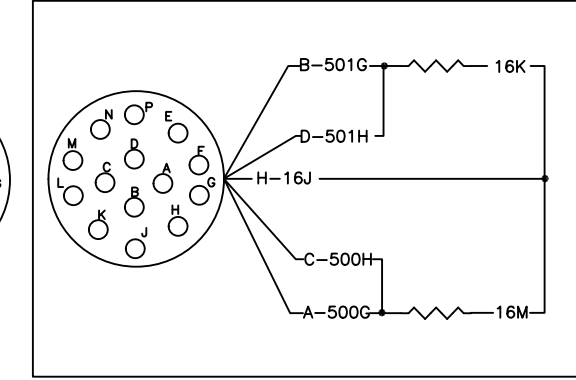
C3 - ORPS SEE PG 3

1 2 3 4

16Q - PIN H
501D - PIN D
500D - PIN C
500C - PIN A
501C - PIN B



RESISTOR BOX



F - ORPS SEE PG 1

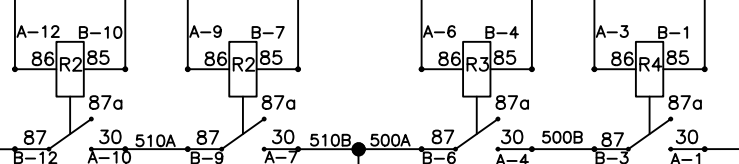
A B C

16A

SPLICE
16A
16C
16Q
16R

FUSE/RELAY BLOCK

SPLICE
16D
16E
16G
16J
16B
16F
16H
16C



17F 1 1
512A 2 2
511A 3 3
4 4

SPLICE
53D
53E
53F

METRIPACK
12162144

METRIPACK
12162102

1 1 POWER
2 2 NC
3 3 GROUND
4 4 NO

REAR RIGHT FULLY EXTENDED

METRIPACK
12110293

METRIPACK
12129615

1 1 POWER
2 2 NC
3 3 GROUND
4 4 NO

REAR LEFT FULLY EXTENDED

METRIPACK
12110293

METRIPACK
12129615

1 1 POWER
2 2 NC
3 3 GROUND
4 4 NO

FRONT RIGHT FULLY EXTENDED

DTM06-3S

DTM04-3P

1 1 POWER
2 2 NC
3 3 GROUND
4 4 NO

FRONT RIGHT MID POSITION

DTM06-4S

DTM04-4P

1 1 POWER
2 2 NC
3 3 GROUND
4 4 NO

FRONT LEFT MID POSITION

METRIPACK
12162144

METRIPACK
12162102

1 1 POWER
2 2 NC
3 3 GROUND
4 4 NO

FRONT LEFT FULLY EXTENDED

SPLICE
17C
17D
17E
17F

17F

17E

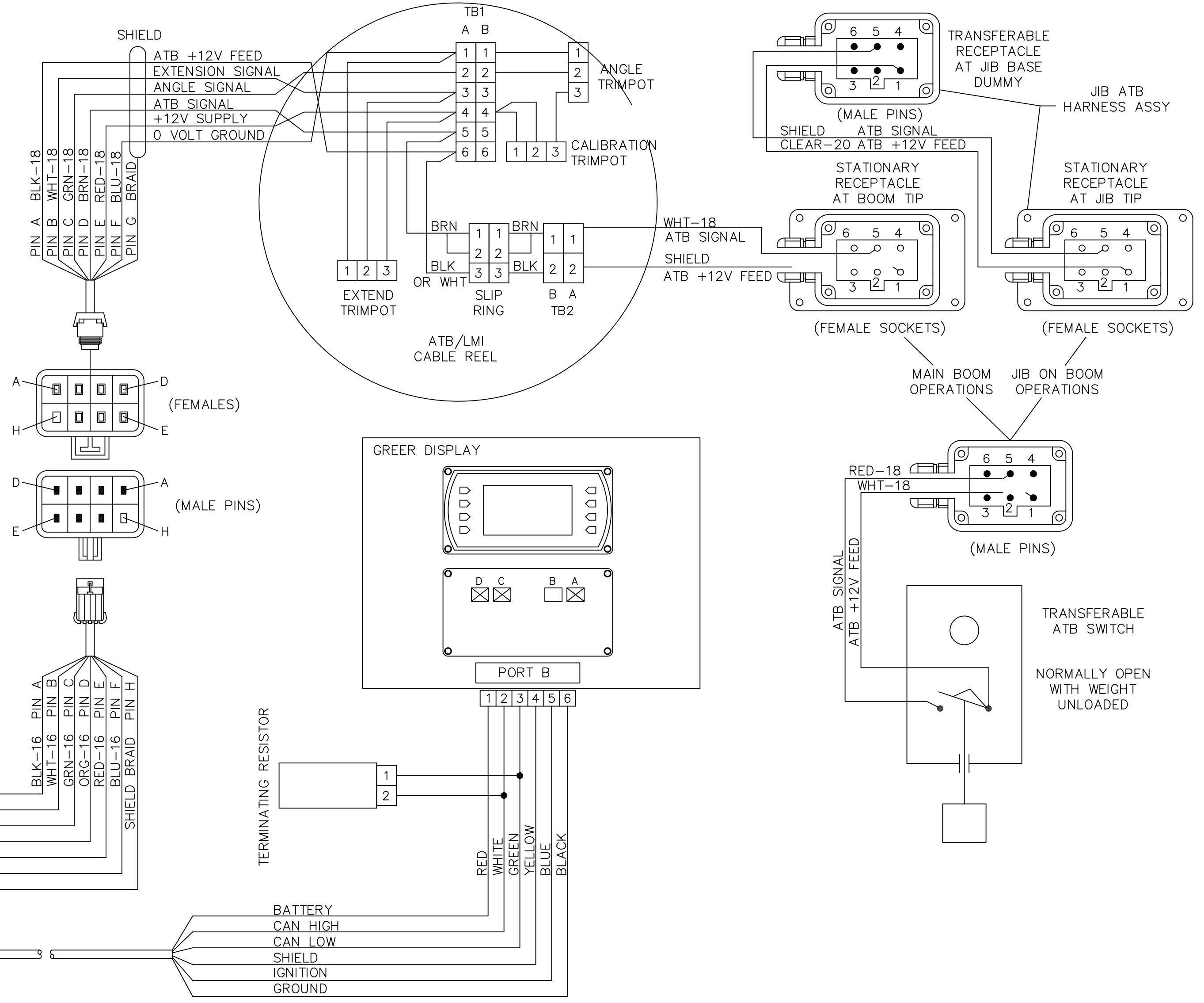
SPLICE
17G
17H
17K
17L

LOAD/KING		
SIZE	DWG. NO.	REV
C	T135884	B
SCALE:		SHEET 6 OF 8

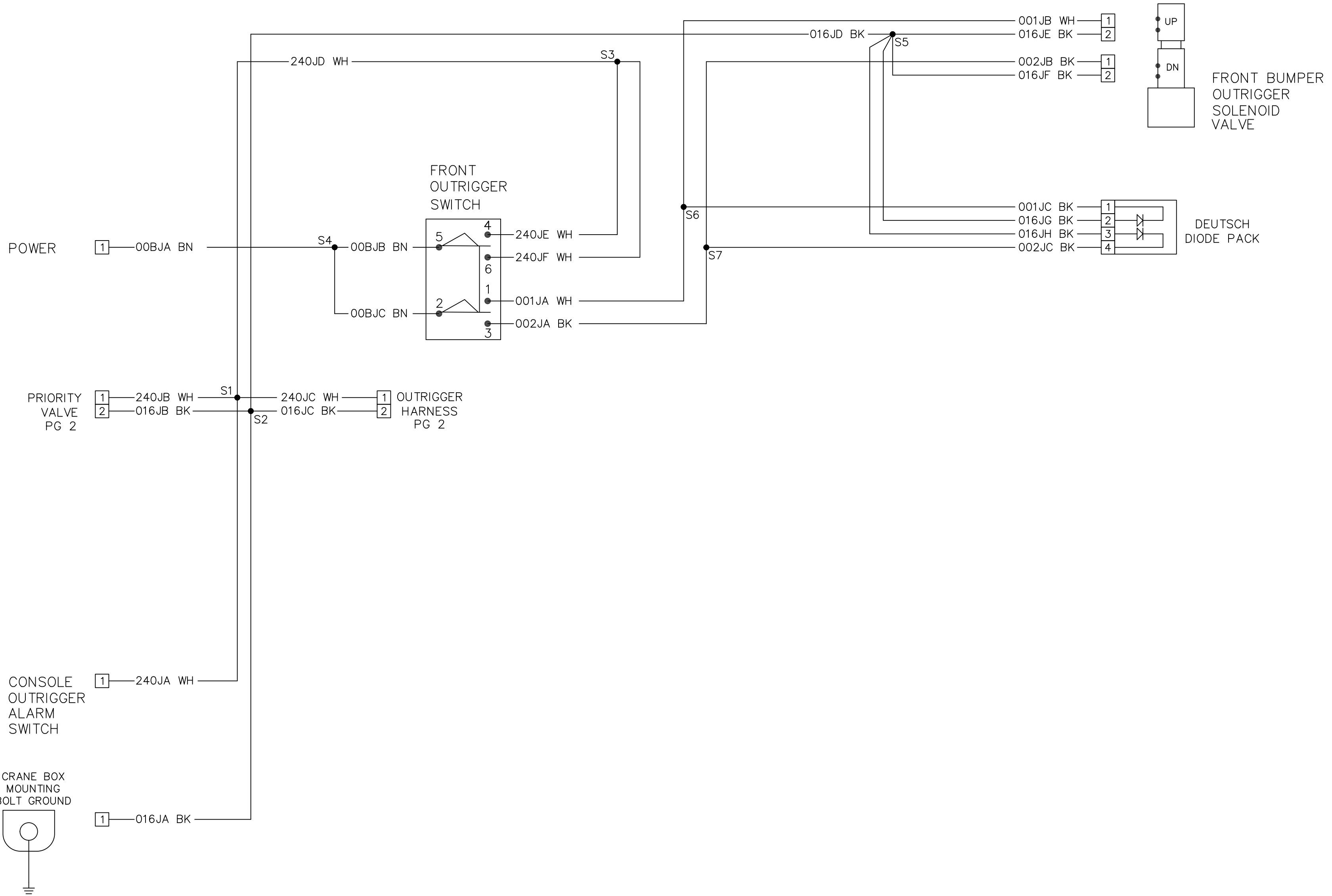
GREER DISPLAY AND BOOM HARNESS

CABLE ASSY
SEE PG 2
FOR MATING
GREER BOX
STRAIN RELIEF

HARNESS ASSY
SEE PG 2
FOR MATING
GREER BOX
STRAIN RELIEF



OPTIONAL FRONT BUMPER OUTRIGGER



LOAD/KING		
SIZE	DWG. NO.	REV
C	T135884	B
SCALE:		SHEET 8 OF 8



www.loadkingmfg.com

Load King
7701 Independence Ave, Kansas
City, MO 64125
Parts: (816) 241- 8387
Service: (833) 281-7911
Email: info@loadkingmfg.com



35-127 RS I Installation Manual